



**ANEST
IWATA**

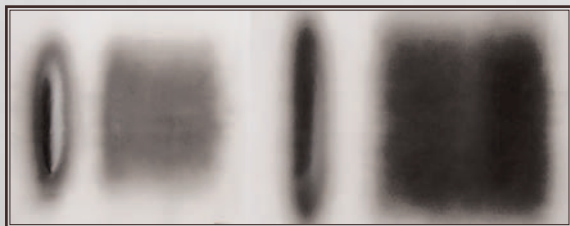
Classic
plus
Series
Gravity Spray Guns

Classic plus

BellAria®

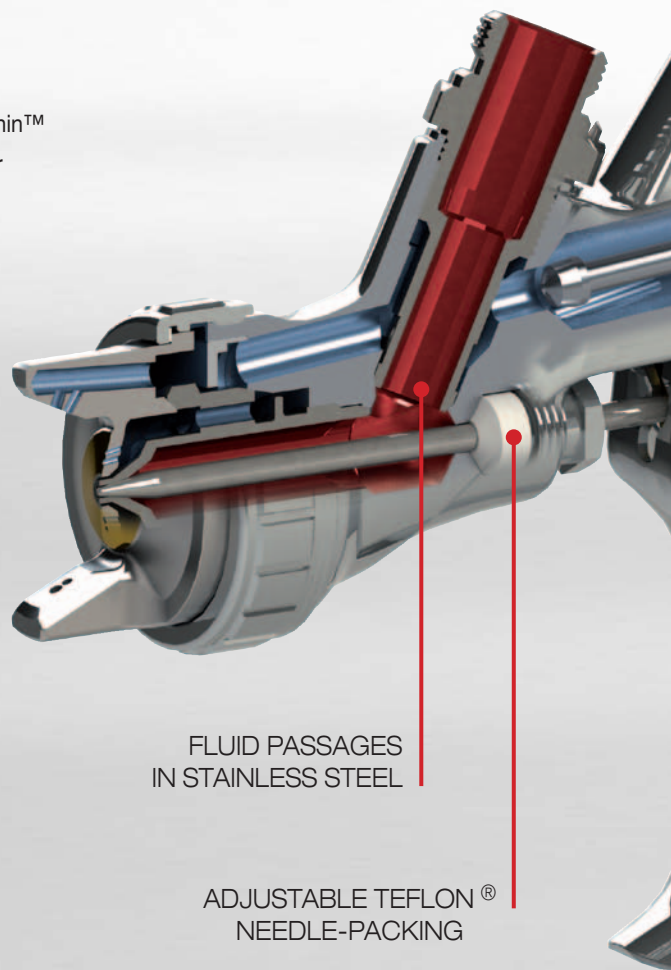
W 400 BellAria

- We have improved the outstanding LV2 air cap with two unique new air caps with technology Flat & Thin™
- Only 250/270 l/min air consumption, giving the sprayer an excellent control of the fluid build
- Stable, large and compact pattern shape
- Perfect for Clear Coat HS



W400 LV2

W400 BELLARIA®



FLUID PASSAGES
IN STAINLESS STEEL

ADJUSTABLE TEFLON®
NEEDLE-PACKING

WBX MBX

W 400 WBX

Improved atomization with waterbased coatings

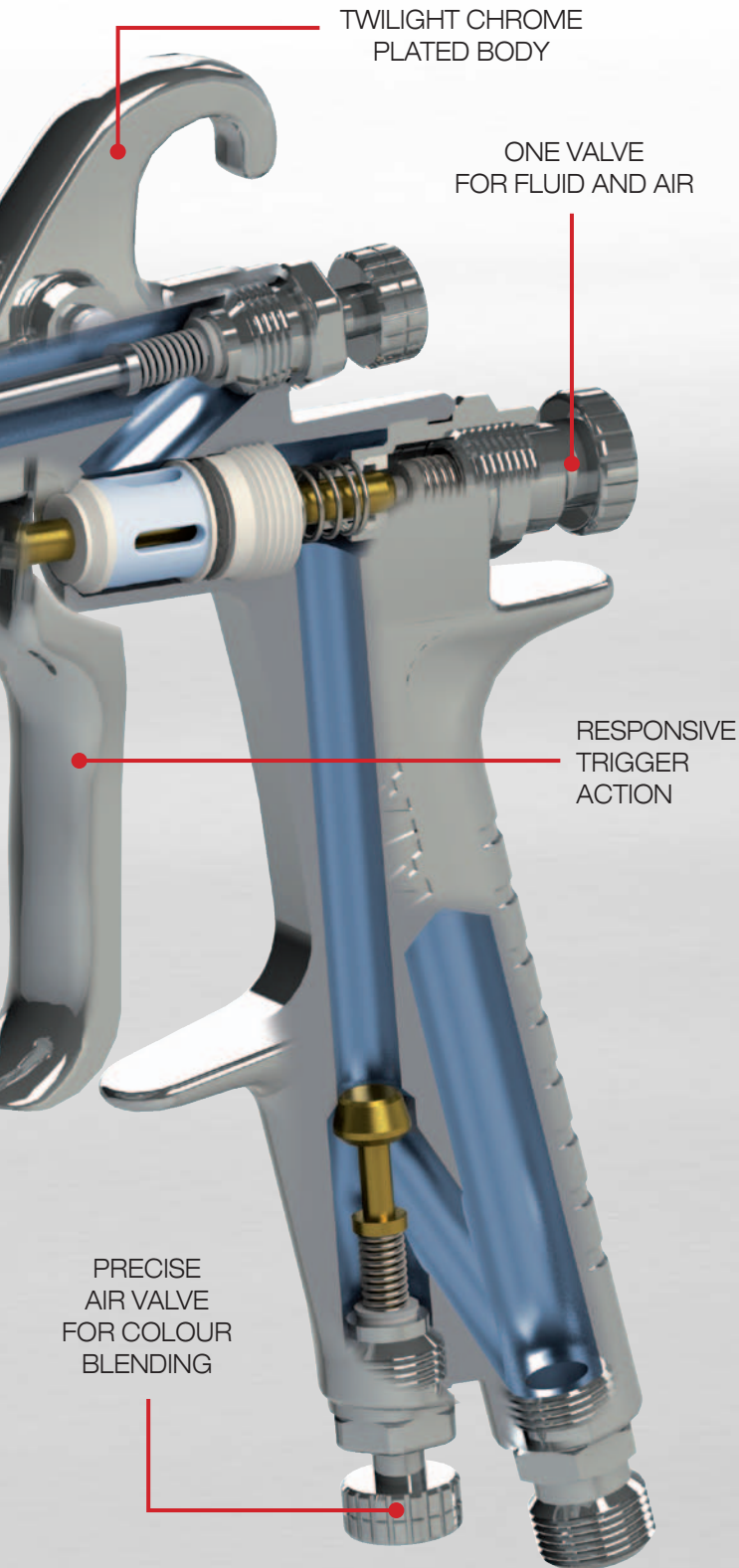
- The WBX applies waterborne basecoats and HS clearcoats with superior atomization and control.
- The WBX air cap has a long, flat fan pattern, which gives an even overlap on modern paints. This is essential for mottle-free basecoat application and a flat and even lay down on clears.
- The WBX delivers a consistent droplet size when atomizing. This is vital to achieve a consistent application of waterborne basecoats.
- Fluid delivery control is essential for colour reproduction of waterborne basecoats.



pre-atomization
technology

Series

ACHIEVE THE BEST PERFORMANCES
WITH OUR Classic plus W400 SERIES
AND ITS WIDE RANGE OF SET UPS



TWILIGHT CHROME
PLATED BODY

ONE VALVE
FOR FLUID AND AIR

RESPONSIVE
TRIGGER
ACTION

PRECISE
AIR VALVE
FOR COLOUR
BLENDING



W 400 - W 400 WB

- Pre atomization technology
- High transfer efficiency
- 2 available air caps:
WB1=230 l/min
WB2=390 l/min



pre-atomization
technology



LPH 400








- Where HVLP technology is demanded
- Pre atomization technology
- Only 270 l/min air consumption



pre-atomization technology



Classic plus Series Gravity Spray Guns

Model	 ø mm	 bar	 l/min	 ml/min	 mm	 No.	 g
W400 BellAria							
W400-104G	1.0	2.0	250	130	200	BA4-1	380
W400-124G	1.2			180	220		
W400-134G	1.3			270	220	280	
W400-144G	1.4		250		300	BA4-2	
W400-164G	1.6		285		330		
W400-184G	1.8		360		375		
W400-204G	2.0		375	390			
W400 WBX							
W400 WBX-124G	1.2	2.0	370	150	360	WBX	380
W400 WBX-134G	1.3			195	390		
W400 WBX-144G	1.4			200			
W400							
W400-082G	0.8	2.0	280	60	80	LV2	380
W400-102G	1.0			95	150		
W400-122G	1.2			140	175		
W400-132G	1.3			160	225		
W400-142G	1.4			210	255		
W400-162G	1.6			240	270		
W400-182G	1.8		290	320	260	LV1	
W400-202G	2.0	3.0	360	460	320	R2	
W400-251G	2.5			580	340	W1	
W400 WB							
W400 WB-101G	1.0	1.8	230	90	230	WB1	380
W400 WB-121G	1.2			120	260		
W400 WB-131G	1.3			140	280		
W400 WB-141G	1.4			290			
W400 WB-132G	1.3		390	160	300	WB2	
W400 WB-142G	1.4			310			
W400 WB-162G	1.6			250	340		
LPH400							
LPH 400 124LV	1.2	1.1	270	90	260	LV4	380
LPH 400 134LV	1.3			110	280		
LPH 400 144LV	1.4			130	290		
LPH 400 164LV	1.6			150	270		
LPH 400 184LV	1.8			190	320		

Max. Working Pressure: 6.8 bar (98 PSI)

Noise Level (LAeqT) 76.0 dB (A)

Temperature range: 5~40° C

Air nipple: G 1/4" M

Fluid nipple: M 16 x 1.5 mm



ANEST IWATA Europe

Corso Vigevano, 46 - 10155 Torino - Italy - Tel. +39 011 22 74 402 - Fax +39 011 22 74 000

info@anest-iwataeu.com - www.anest-iwataeu.com