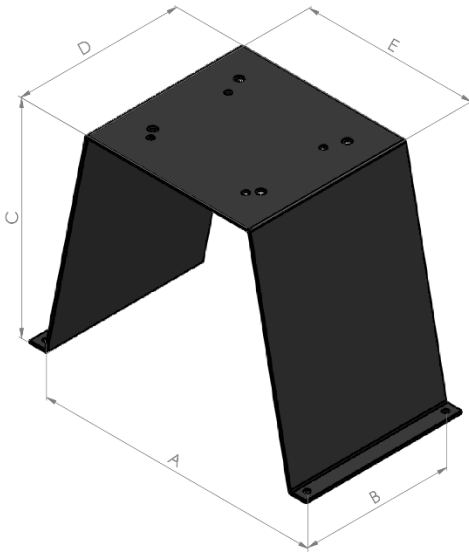




SUPPORT MOUNTING STAND



Model Number	A in (mm)	B in (mm)	C in (mm)	D in (mm)	E in (mm)	Weight Lbs (kg)	Blower compatibility
MB15	11.9 (302)	6.3 (160)	9.4 (240)	7.1 (180)	7.4 (187)	4.5 (2)	P15/P20/S12/S14
MB251	15 (382)	6.3 (160)	11.8 (300)	7.1 (180)	7.4 (187)	5.5 (2.5)	P25
MB30	16.6 (422)	8.7 (220)	13.8 (350)	9.4 (240)	7.7 (197)	12 (5.5)	P25/P30
MB35*	21.2 (540)	12.4 (315)	18.4 (468)	13.8 (350)	11.7 (297)	35 (16)	P35
MB15SS**	11.9 (302)	6.3 (160)	9.4 (240)	7.1 (180)	7.4 (187)	4.5 (2)	P15/P20/S12/S14
MB35SS-SS**	15 (382)	6.3 (160)	11.8 (300)	7.1 (180)	7.4 (187)	5.5 (2.5)	P35

* MB35 shall be provided with additional brace brackets between legs to provide more rigidity.

** Stainless steel version

FEATURES

Rigid support/stand flanged with pre-punched holes for securing blower system. Enamel coating (black) to provide an excellent resistance against corrosion, weather, and UV. Can be used to mount the blower on floors, walls, and ceilings.

- Color: Black
- Stainless Steel motor mounting hardware supplied.
- Powder Properties
 - Particle size: <math><100 \mu m</math>
 - Density: $1.3 - 1.6 \text{ kg.l}^{-1}$
- Film Properties:
 - Cross-cut adhesion test: Gt 0
 - Mandrel bending test: $\leq 5 \text{ mm}$
 - Impact test: $\geq 10 \text{ inchp}$
 - Erichsen cupping: $\geq 5 \text{ mm}$
- Corrosion tests:
 - Condensation water test, 1000hr: No infiltration, No blister
 - Natural salt spray test, 1000hr: No infiltration, No blister

Project Name	
Date	
Engineer / Sales Rep	
Client	
Contractor	

Property rights to all drawings, details, representations, ideas, data, notes and specifications either copies or originals thereof that may be incorporated into the design and/or project are the property solely of Plastec Ventilation, Inc. Permission for any copies of said copyrighted materials, drawings, details, representations, ideas, data, notes and specifications either originals or copies thereof to be made, copied or altered by any person, business, or corporation may only be authorized with the expressed written permission of Plastec Ventilation, Inc. By the use of this data, the user acknowledges that he/she has read and understand all of the notes included herein.