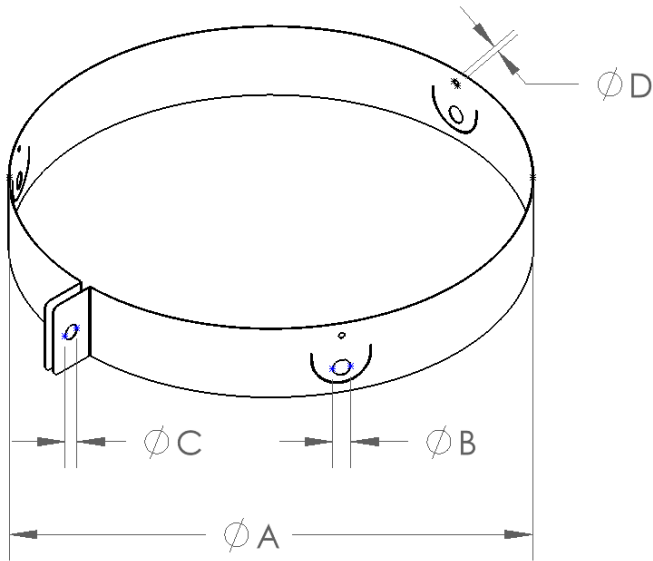




Stack Guywire Band



Model Number	ϕA (ID) in (mm)	ϕB in (mm)	ϕC in (mm)	ϕD in (mm)
STGB160	6.22 (158)	0.35 (9)	0.31 (8)	0.12 (3)
STGB200	7.87 (200)	0.35 (9)	0.31 (8)	0.12 (3)
STGB250	9.84 (250)	0.35 (9)	0.31 (8)	0.12 (3)
STGB315	12.67 (322)	0.35 (9)	0.31 (8)	0.12 (3)

FEATURES

Stainless Steel band for the secure installation of stacks with guywires. Designed to fit PLASTEC's line up of weather stack systems.

- Material: 304 Stainless Steel
- Thickness: 22 ga
- Max Tension: 300 lbs.
- Designed to safely secure discharge stack to rooftop installations.
- Anchor points for three guy wires



Project Name	
Date	
Engineer / Sales Rep	
Client	
Contractor	

Property rights to all drawings, details, representations, ideas, data, notes and specifications either copies or originals thereof that may be incorporated into the design and/or project are the property solely of Plastec ventilation, inc. Permission for any copies of said copyrighted materials, drawings, details, representations, ideas, data, notes and specifications either originals or copies thereof to be made, copied or altered by any person, business, or corporation may only be authorized with the expressed written permission of Plastec ventilation, inc. By the use of this data, the user acknowledges that he/she has read and understand all of the notes included herein.