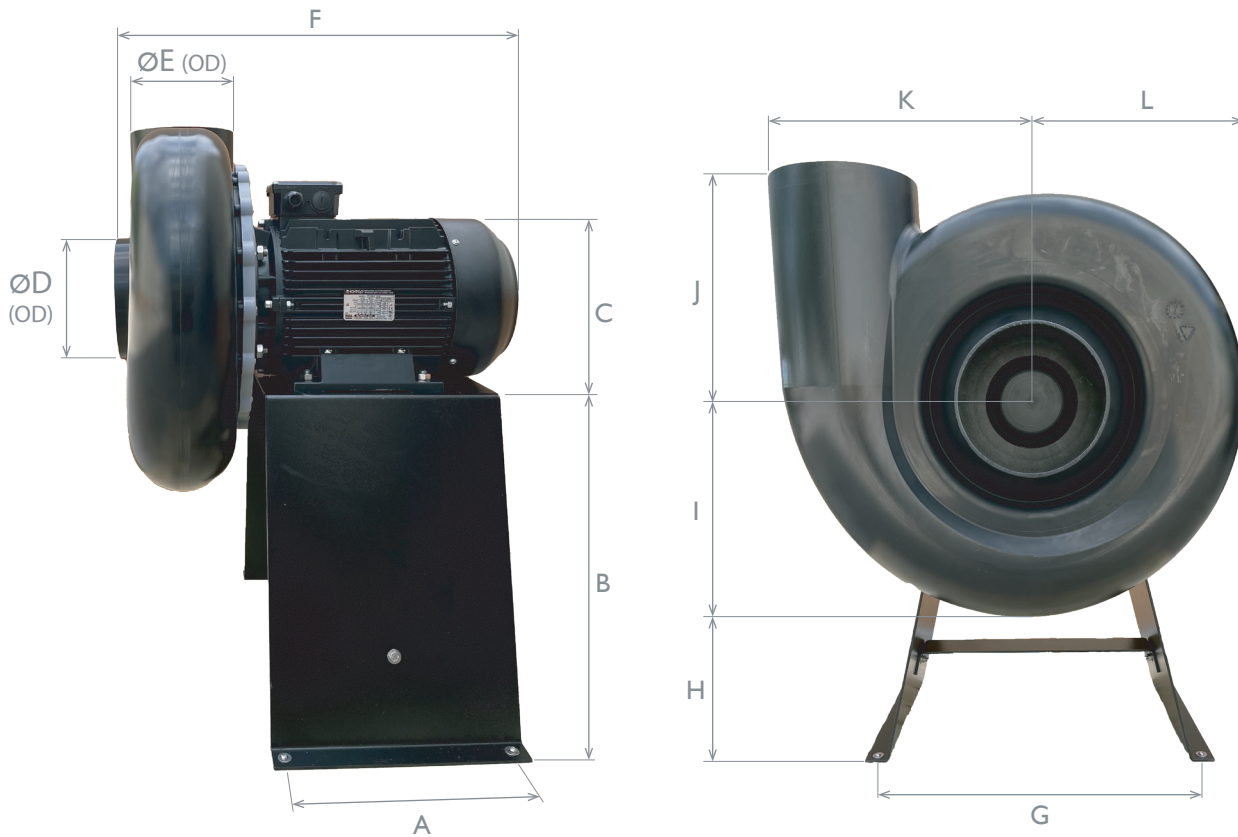


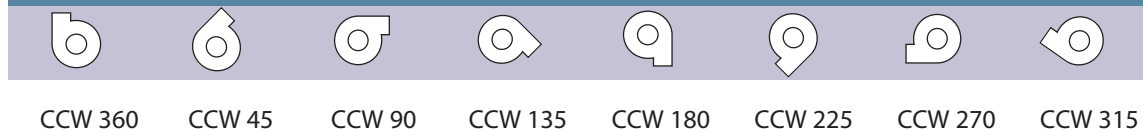
# STORM 18



\* Pictures and dimensions non-contractual

Dimensional data (inches)											
Metal stand is optional - Motor size may vary upon model											
A	B	C	ØD	ØE	F	G	H	I	J	K	L
12.4	18.42	10.5	7.87	7.87	26	21.26	11.25	12.25	12	14	11.5

## Discharge positions - View from inlet side



CCW 360

CCW 45

CCW 90

CCW 135

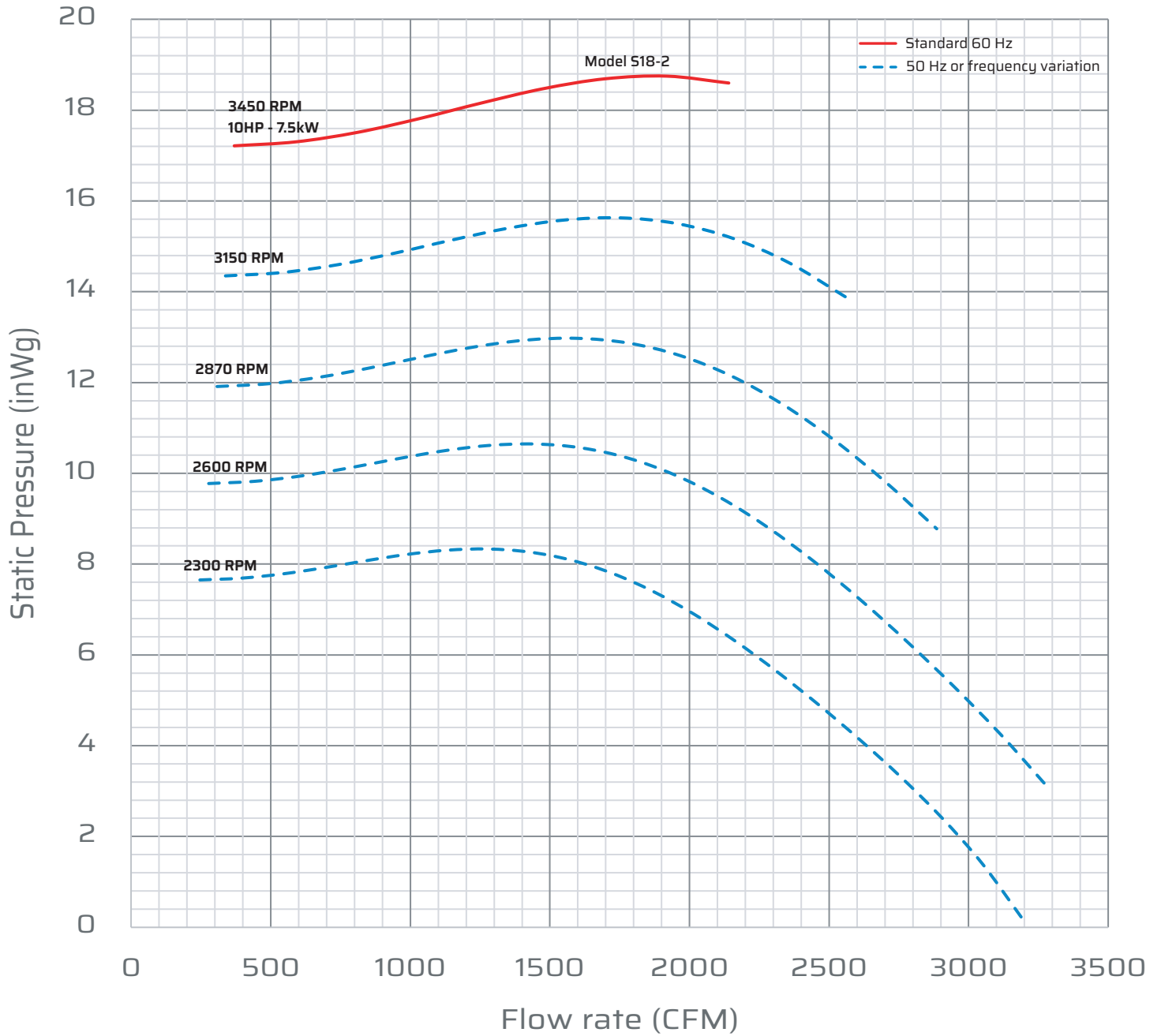
CCW 180

CCW 225

CCW 270

CCW 315

# STORM 18



## Inlet sound

	$Q_v$	SP	LwA	LpA *	Octave band (Hz)							
RPM	(CFM)	(inWg)	dB(A)	dB(A)	63	125	250	500	1000	2000	4000	8000
2600	1051	10.43	95	75	114	97	94	92	88	88	83	76
3450	1395	18.37	101	81	120	103	100	98	94	94	89	82

\* Acoustic pressure Lp at 10 feet - Outlet acoustic data available on request