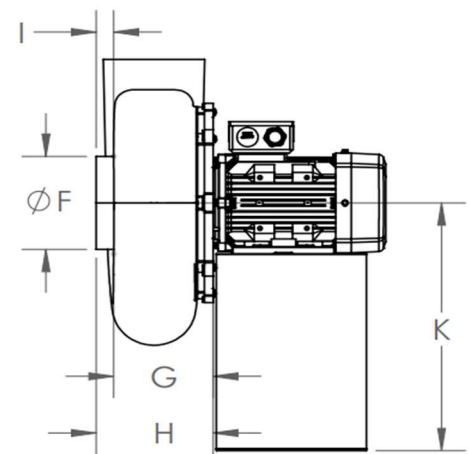
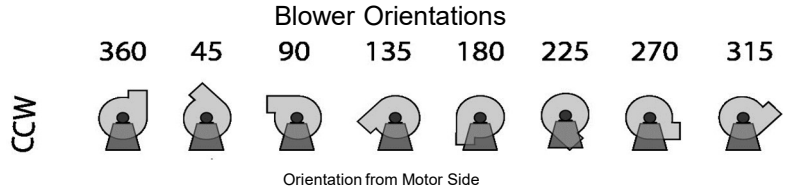
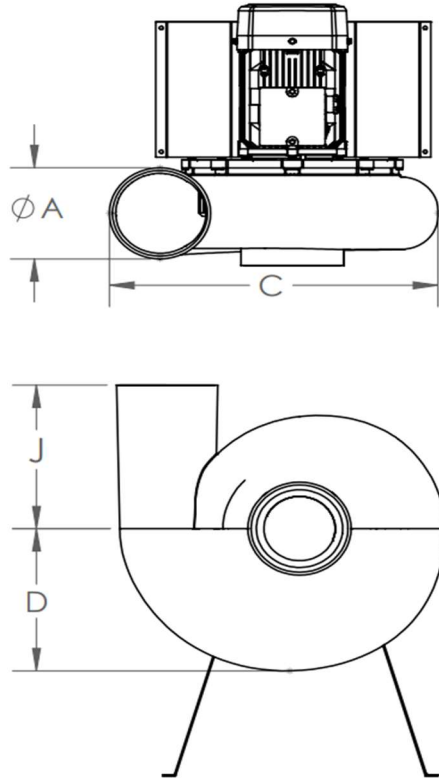




STORM 18



Blower shown with Optional Motor Support Stand

Mechanical Data

	ØA (OD)	C	D	ØF (OD)	G	H	I	J
in	7.86	25.19	13.28	7.86	6.68	8.25	1.57	11.00
mm	200	641	338	200	170	210	40	280

Motor Height (K)

	10 Hp
in	17.34
mm	441

Project Name	
Date	
Engineer/Sales Rep	
Client	
Contractor	

Property rights to all drawings, details, representations, ideas, data, notes and specifications either copies or originals thereof that may be incorporated into the design and/or project are the property solely of Plastec ventilation, inc. Permission for any copies of said copyrighted materials, drawings, details, representations, ideas, data, notes and specifications either originals or copies thereof to be made, copied or altered by any person, business, or corporation may only be authorized with the expressed written permission of Plastec ventilation, inc. By the use of this data, the user acknowledges that he/she has read and understand all of the notes included herein.



STORM 18

Model Numbers

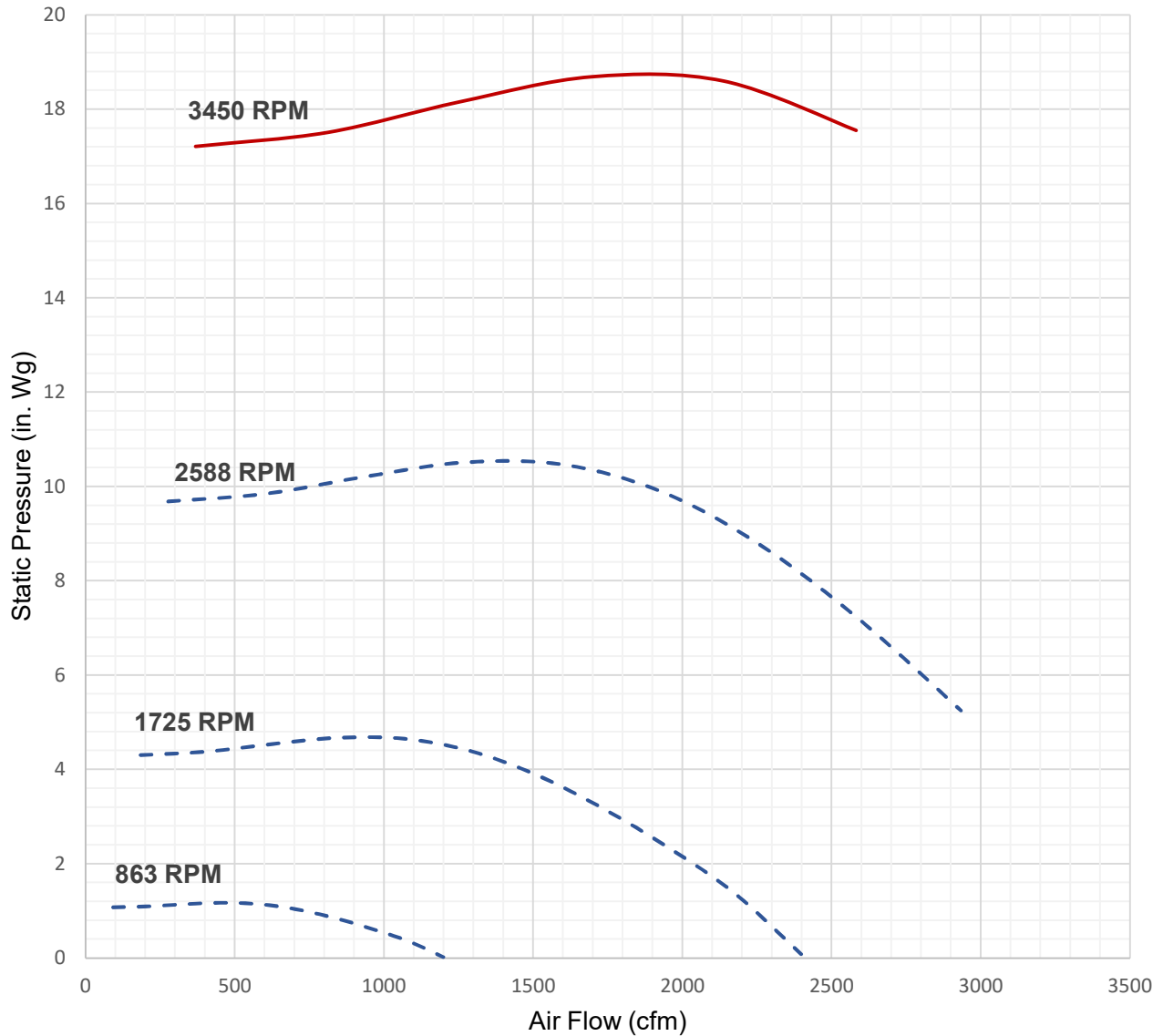
Model Number	Max. Flow (cfm)	Min. Flow (cfm)	Max. Static (in. Wg)	Min. Static (in. Wg)	Phase	Power (hp)	RPM	Voltage (V)	FLA	Weight (lb)
S18XT2P1000	3000	800	18.5	8	Three Phase	10	3520	208-230/460	22.7/11.3	139.5

Property rights to all drawings, details, representations, ideas, data, notes and specifications either copies or originals thereof that may be incorporated into the design and/or project are the property solely of Plastec ventilation, inc. Permission for any copies of said copyrighted materials, drawings, details, representations, ideas, data, notes and specifications either originals or copies thereof to be made, copied or altered by any person, business, or corporation may only be authorized with the expressed written permission of Plastec ventilation, inc. By the use of this data, the user acknowledges that he/she has read and understand all of the notes included herein.



STORM 18

Performance Curve



— Standard RPM

- - - Frequency Variation

Property rights to all drawings, details, representations, ideas, data, notes and specifications either copies or originals thereof that may be incorporated into the design and/or project are the property solely of Plastec ventilation, inc. Permission for any copies of said copyrighted materials, drawings, details, representations, ideas, data, notes and specifications either originals or copies thereof to be made, copied or altered by any person, business, or corporation may only be authorized with the expressed written permission of Plastec ventilation, inc. By the use of this data, the user acknowledges that he/she has read and understand all of the notes included herein.



STORM 18

Acoustic Data

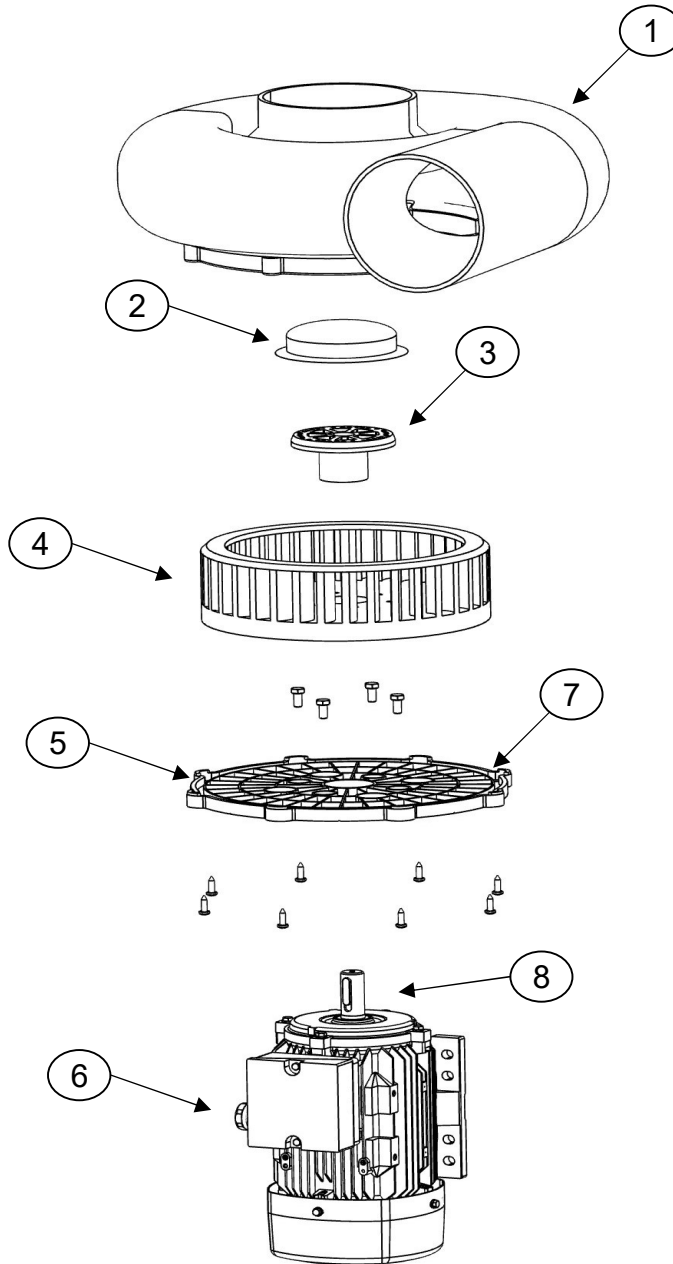
	Qv (cfm)	Ps (inwg)	Octave Band (Hz)								Lw dB	Lw(A) dB(A)	Lp(A) dB(A)	
			63	125	250	500	1000	2000	4000	8000				
3450 RPM	Inlet 1	4789	0.37	96.0	101.9	99.1	99.1	95.2	96.1	92.2	87	111	106.9	104.8
	Inlet 2	3464	12.82	91.6	94.5	95.3	93.8	90.6	91.4	87.2	81	105	102.1	100.1
	Inlet 3	2172	18.70	91.7	89.0	88.8	90.7	88.0	89.6	84.5	76.6	102	99.5	97.5
	Inlet 4	1395	18.33	93.2	88.4	87.9	89.5	87.4	89.9	84.5	76	103	99.4	97.4
	Outlet 1	4789	0.37	107.0	108.8	103	102.5	101.1	101.5	97.0	91	117	111.7	109.7
	Outlet 2	3464	12.82	99.6	99.9	96.1	97.6	97.2	95.6	92.0	84.6	111	106.8	104.8
	Outlet 3	2172	18.70	98.0	95.7	89.6	94.5	95.0	94.2	90.1	80.3	108	104.5	102.5
	Outlet 4	1395	18.33	99.8	94.1	88.6	94.0	94.4	94.9	90.4	79.5	109	104.6	102.5

Property rights to all drawings, details, representations, ideas, data, notes and specifications either copies or originals thereof that may be incorporated into the design and/or project are the property solely of Plastec ventilation, inc. Permission for any copies of said copyrighted materials, drawings, details, representations, ideas, data, notes and specifications either originals or copies thereof to be made, copied or altered by any person, business, or corporation may only be authorized with the expressed written permission of Plastec ventilation, inc. By the use of this data, the user acknowledges that he/she has read and understand all of the notes included herein.



STORM 18

Expanded View



1	Housing
2	Hub Cap
3	Hub
4	Impeller
5	Motor Plate
6	Motor
7	Motor Plate Seal
8	Shaft Key

Property rights to all drawings, details, representations, ideas, data, notes and specifications either copies or originals thereof that may be incorporated into the design and/or project are the property solely of Plastec ventilation, inc. Permission for any copies of said copyrighted materials, drawings, details, representations, ideas, data, notes and specifications either originals or copies thereof to be made, copied or altered by any person, business, or corporation may only be authorized with the expressed written permission of Plastec ventilation, inc. By the use of this data, the user acknowledges that he/she has read and understand all of the notes included herein.