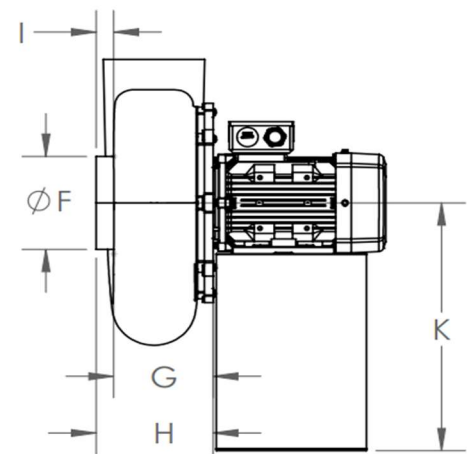
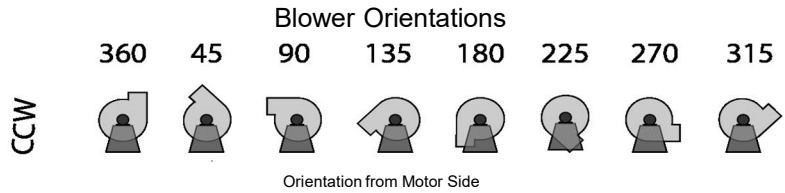
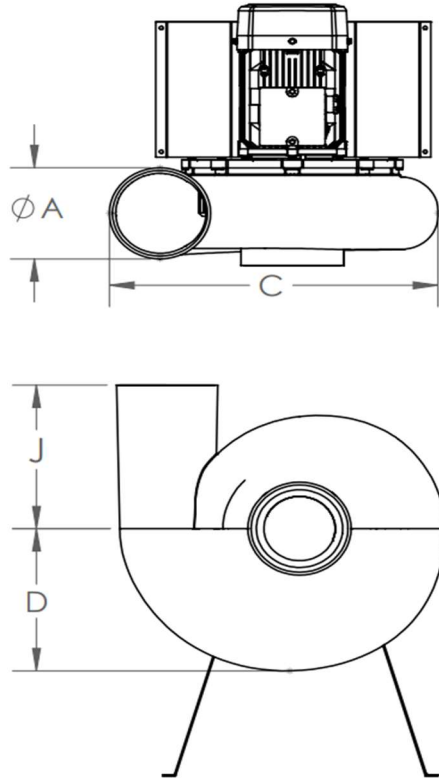




# STORM 16



Blower shown with Optional Motor Support Stand

### Mechanical Data

	ØA (OD)	C	D	ØF (OD)	G	H	I	J
in	6.29	20.55	10.93	6.29	6.29	7.35	1.06	10.30
mm	160	523	278	160	160	187	27	262

### Motor Height (K)

	3 Hp
in	17.34
mm	441

<b>Project Name</b>	
<b>Date</b>	
<b>Engineer/Sales Rep</b>	
<b>Client</b>	
<b>Contractor</b>	

Property rights to all drawings, details, representations, ideas, data, notes and specifications either copies or originals thereof that may be incorporated into the design and/or project are the property solely of Plastec ventilation, inc. Permission for any copies of said copyrighted materials, drawings, details, representations, ideas, data, notes and specifications either originals or copies thereof to be made, copied or altered by any person, business, or corporation may only be authorized with the expressed written permission of Plastec ventilation, inc. By the use of this data, the user acknowledges that he/she has read and understand all of the notes included herein.



# STORM 16

## Model Numbers

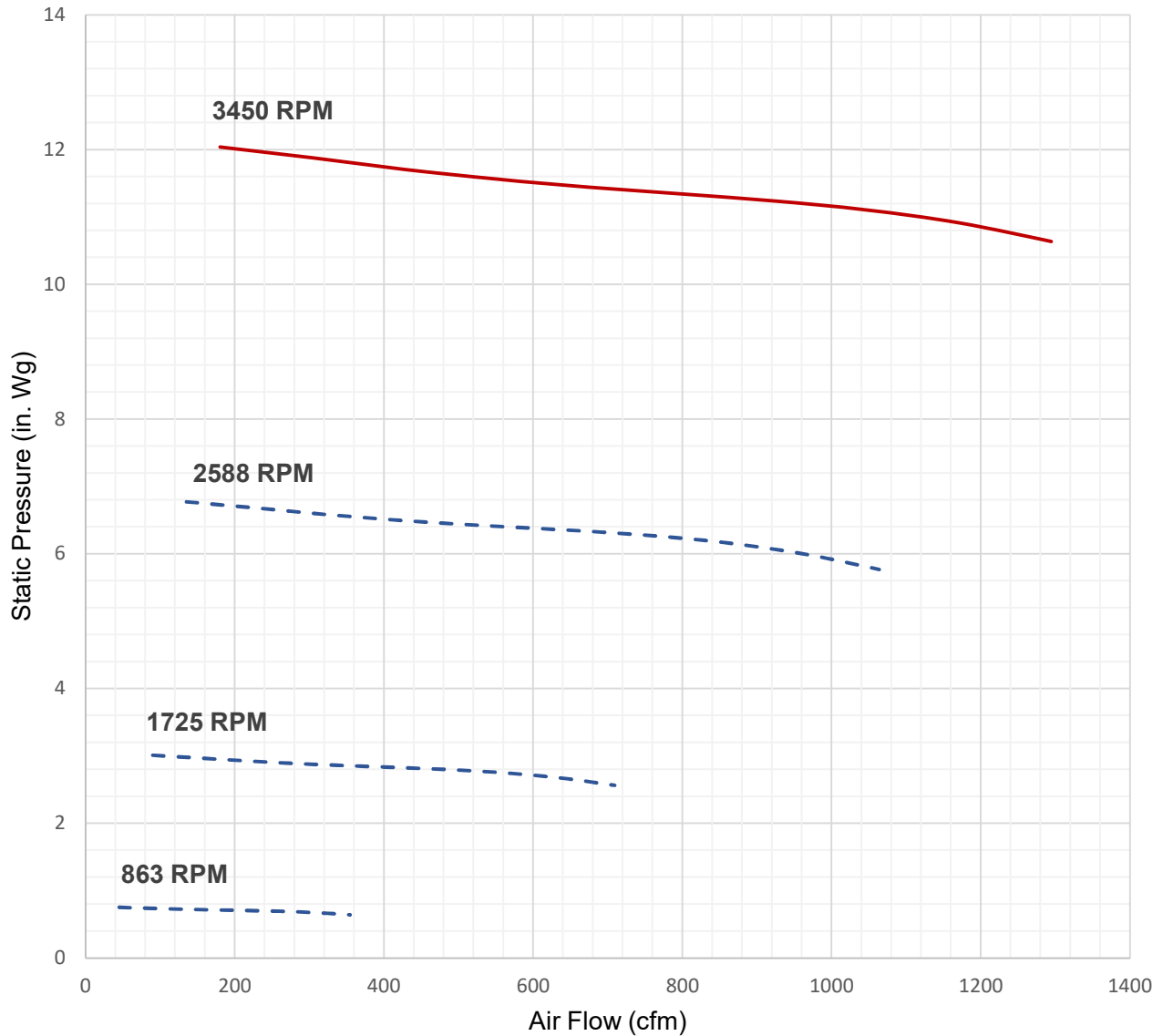
Model Number	Max. Flow (cfm)	Min. Flow (cfm)	Max. Static (in. Wg)	Min. Static (in. Wg)	Phase	Power (hp)	RPM	Voltage (V)	FLA	Weight (lb)
S16XT2P300	1340	50	12	0.1	Three Phase	3	3520	208-230/460	7.5/4.19	52.1

Property rights to all drawings, details, representations, ideas, data, notes and specifications either copies or originals thereof that may be incorporated into the design and/or project are the property solely of Plastec ventilation, inc. Permission for any copies of said copyrighted materials, drawings, details, representations, ideas, data, notes and specifications either originals or copies thereof to be made, copied or altered by any person, business, or corporation may only be authorized with the expressed written permission of Plastec ventilation, inc. By the use of this data, the user acknowledges that he/she has read and understand all of the notes included herein.



# STORM 16

## Performance Curve



— Standard RPM

- - - Frequency Variation

Property rights to all drawings, details, representations, ideas, data, notes and specifications either copies or originals thereof that may be incorporated into the design and/or project are the property solely of Plastec ventilation, inc. Permission for any copies of said copyrighted materials, drawings, details, representations, ideas, data, notes and specifications either originals or copies thereof to be made, copied or altered by any person, business, or corporation may only be authorized with the expressed written permission of Plastec ventilation, inc. By the use of this data, the user acknowledges that he/she has read and understand all of the notes included herein.



# STORM 16

## Acoustic Data

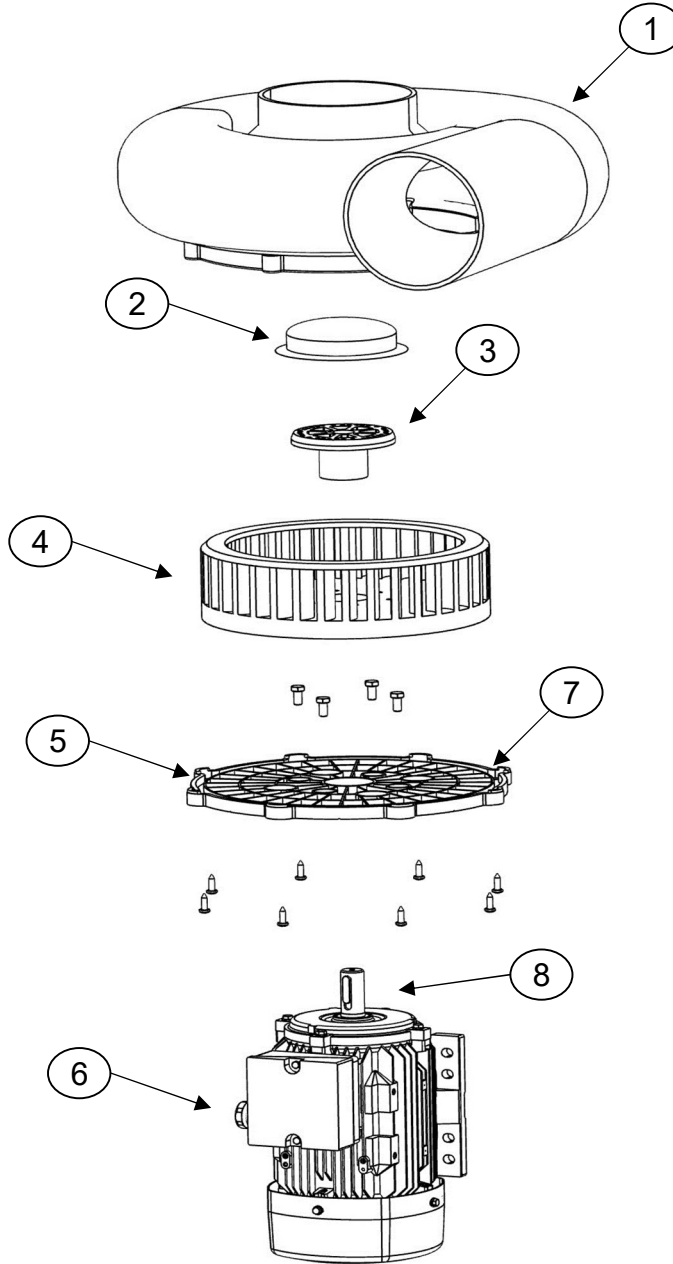
	Qv (cfm)	Ps (inwg)	Octave Band (Hz)								Lw dB	Lw(A) dB(A)	Lp(A) dB(A)	
			63	125	250	500	1000	2000	4000	8000				
3450 RPM	Inlet 1	1262	10.46	85.8	75.4	86	85.4	85.3	85.8	80.6	77.2	98	95.7	93.7
	Inlet 2	1074	10.85	86.8	75.3	85.8	85.2	85.2	85.5	80.3	77.2	98	95.5	93.4
	Inlet 3	604	11.40	88.8	75.0	81.3	84.2	84.5	84.4	79.8	76.7	97.1	94.5	92.5
	Inlet 4	343	11.83	90.9	73.7	79.3	84.0	83.9	83.8	79.4	76.2	97.3	94.2	92.2
	Outlet 1	1262	10.46	88.7	89.4	96	90.4	89.6	89.3	84.7	80.8	103	100.0	98.0
	Outlet 2	1074	10.85	88.9	88.8	96.5	89.6	89.2	89.0	83.9	80.6	103	99.6	97.6
	Outlet 3	604	11.40	91.2	86.9	91.1	87.9	88.6	88.4	83.1	79.9	101	98.5	96.4
	Outlet 4	343	11.83	93.4	84.1	88.3	87.2	88.0	88.0	83.0	79.8	100	98.0	95.9

Property rights to all drawings, details, representations, ideas, data, notes and specifications either copies or originals thereof that may be incorporated into the design and/or project are the property solely of Plastec ventilation, inc. Permission for any copies of said copyrighted materials, drawings, details, representations, ideas, data, notes and specifications either originals or copies thereof to be made, copied or altered by any person, business, or corporation may only be authorized with the expressed written permission of Plastec ventilation, inc. By the use of this data, the user acknowledges that he/she has read and understand all of the notes included herein.



# STORM 16

## Expanded View



1	Housing
2	Hub Cap
3	Hub
4	Impeller
5	Motor Plate
6	Motor
7	Motor Plate Seal
8	Shaft Key

Property rights to all drawings, details, representations, ideas, data, notes and specifications either copies or originals thereof that may be incorporated into the design and/or project are the property solely of Plastec ventilation, inc. Permission for any copies of said copyrighted materials, drawings, details, representations, ideas, data, notes and specifications either originals or copies thereof to be made, copied or altered by any person, business, or corporation may only be authorized with the expressed written permission of Plastec ventilation, inc. By the use of this data, the user acknowledges that he/she has read and understand all of the notes included herein.