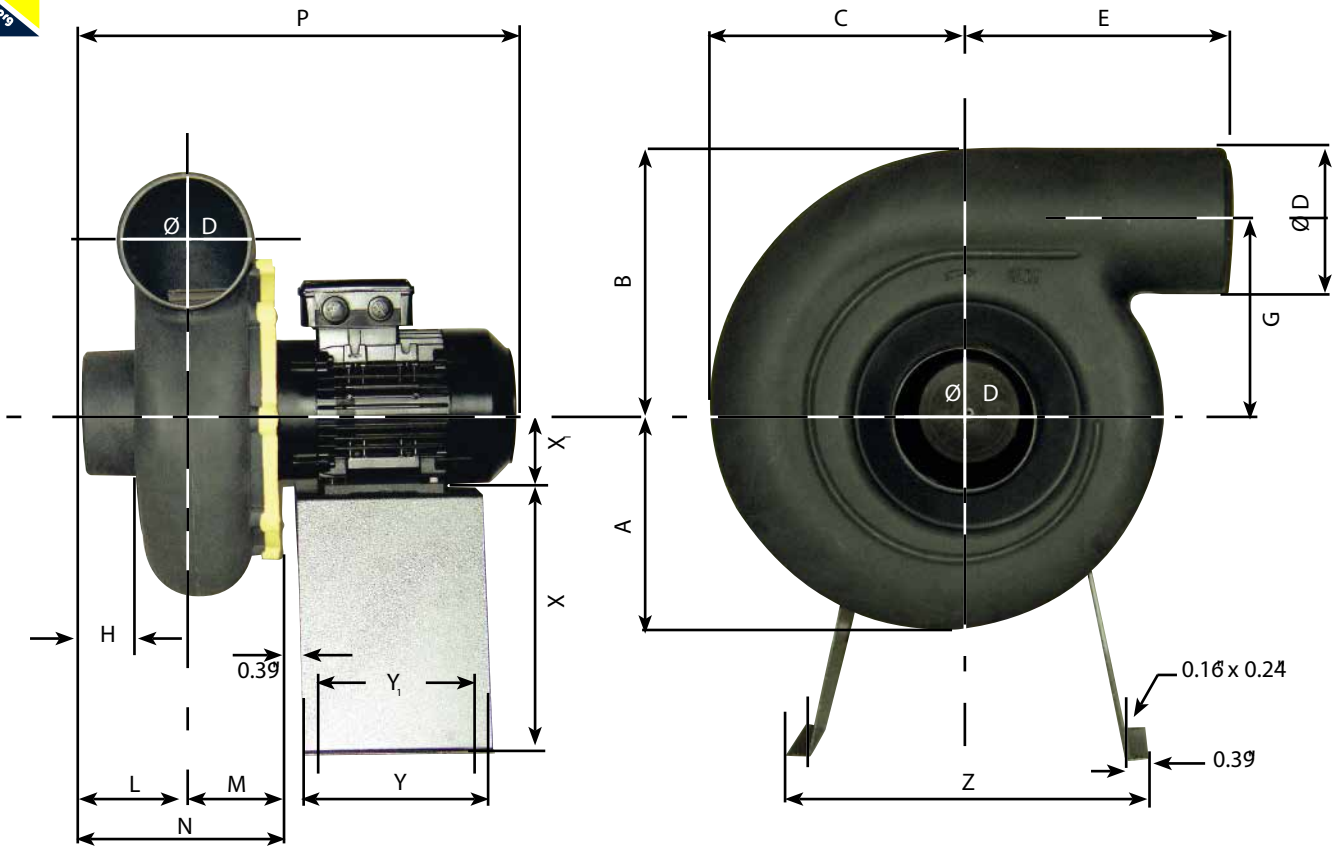




STORM 12



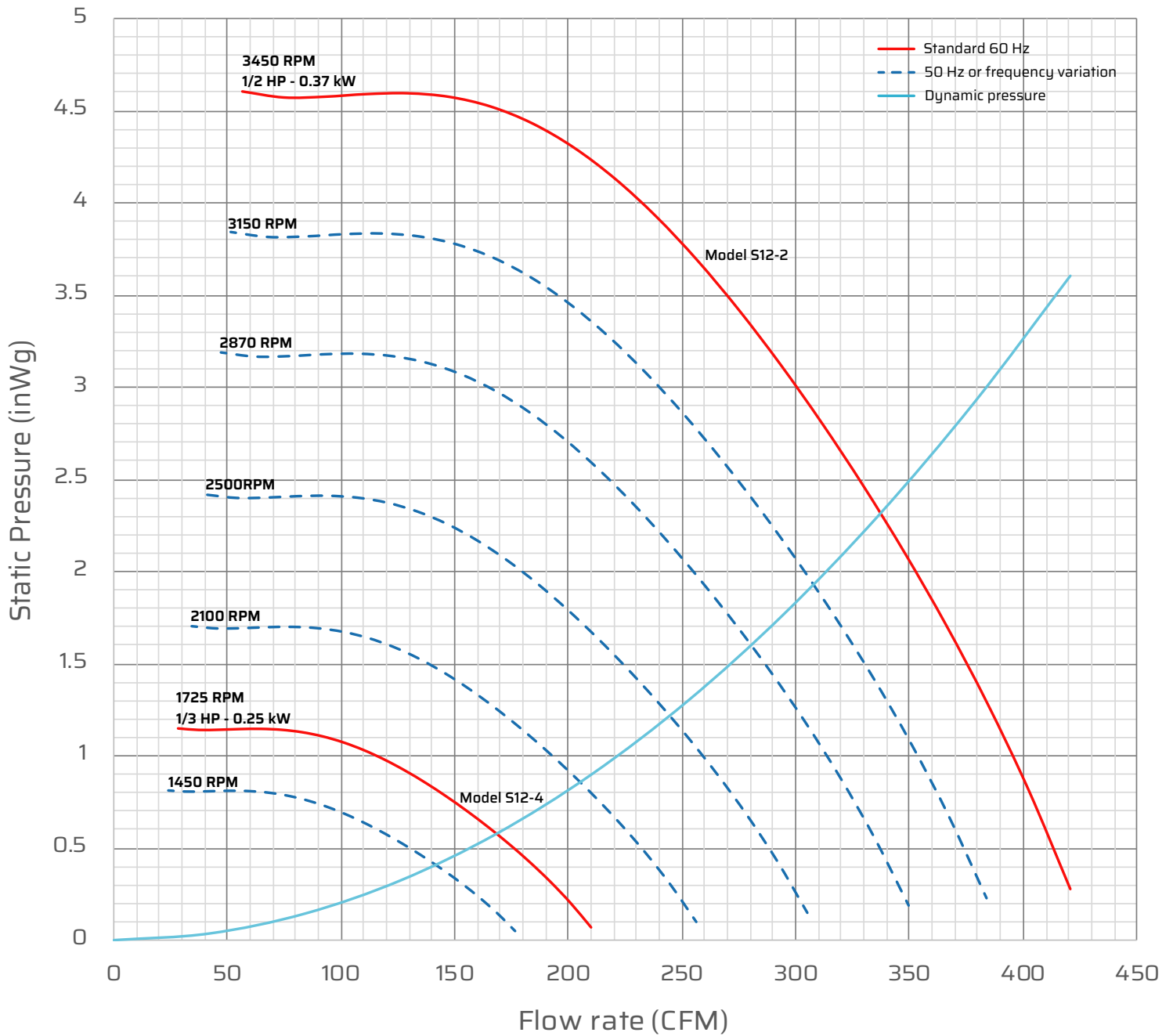
CCW POSITION ONLY

* Pictures and dimensions non-contractual

Dimensional data (inches)															
Metal stand is optional - Motor size may vary upon model															
A	B	C	ØD	E	G	H	L	M	N	P	Y	Y ₁	Z	X	X ₁
5.71	6.89	6.42	3.54	8.35	5.12	1.77	3.15	2.83	5.98	13.78	7.09	6.30	13.39	9.45	2.80

Discharge positions - View from inlet side							
CCW 360	CCW 45	CCW 90	CCW 135	CCW 180	CCW 225	CCW 270	CCW 315

STORM 12



Inlet sound

	Q _v	SP	LwA	LpA *	Octave band (Hz)							
RPM	(CFM)	(inWg)	dB(A)	dB(A)	63	125	250	500	1000	2000	4000	8000
1725	122	0.95	75	54	90	83	73	72	72	61	54	47
3450	245	3.78	90	69	105	99	88	87	87	76	69	62

* Acoustic pressure Lp at 10 feet - Outlet acoustic data available on request