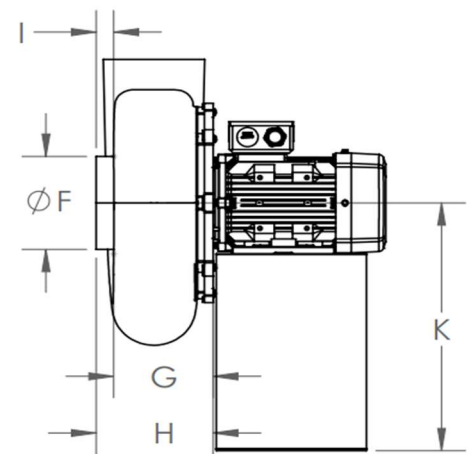
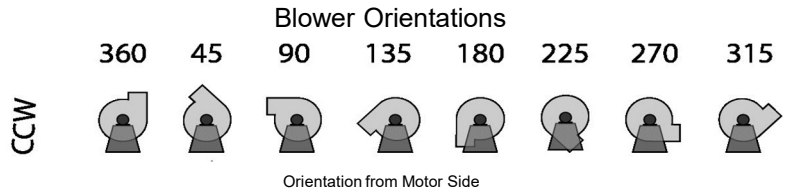
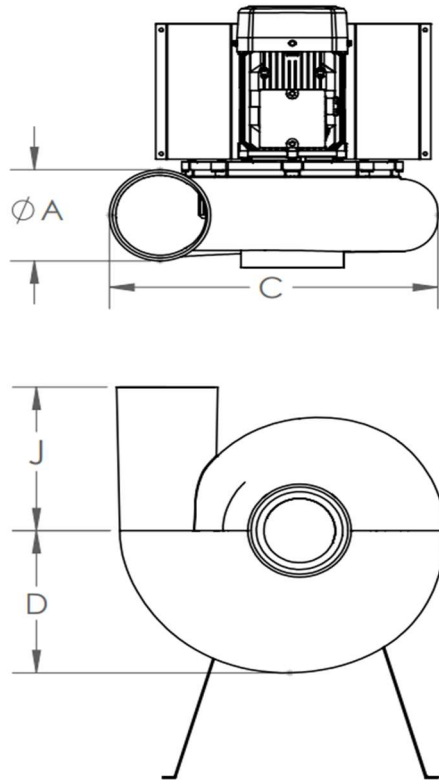




STORM 12



Blower shown with Optional Motor Support Stand

Mechanical Data

| | ØA (OD) | C | D | ØF (OD) | G | H | I | J |
|----|---------|-------|------|---------|------|------|------|------|
| in | 3.54 | 12.58 | 6.41 | 3.54 | 3.97 | 5.54 | 1.57 | 8.33 |
| mm | 90 | 320 | 163 | 90 | 101 | 141 | 40 | 212 |

Motor Height (K)

| | 0.33 Hp | 0.50 Hp |
|----|---------|---------|
| in | 12.54 | 12.54 |
| mm | 319 | 319 |

| | |
|---------------------------|--|
| Project Name | |
| Date | |
| Engineer/Sales Rep | |
| Client | |
| Contractor | |

Property rights to all drawings, details, representations, ideas, data, notes and specifications either copies or originals thereof that may be incorporated into the design and/or project are the property solely of Plastec ventilation, inc. Permission for any copies of said copyrighted materials, drawings, details, representations, ideas, data, notes and specifications either originals or copies thereof to be made, copied or altered by any person, business, or corporation may only be authorized with the expressed written permission of Plastec ventilation, inc. By the use of this data, the user acknowledges that he/she has read and understand all of the notes included herein.



STORM 12

Model Numbers

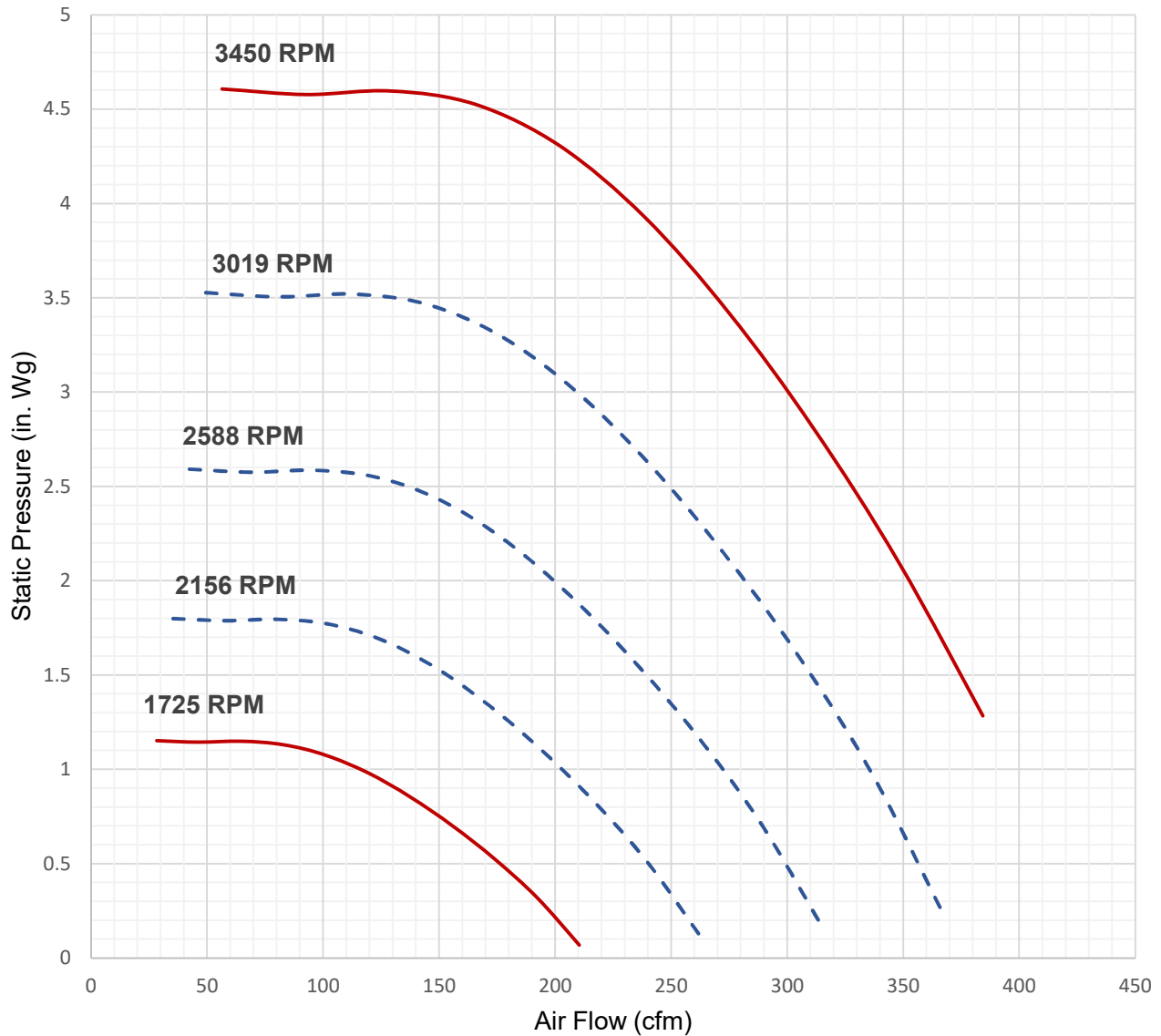
| Model Number | Max. Flow (cfm) | Min. Flow (cfm) | Max. Static (in. Wg) | Min. Static (in. Wg) | Phase | Power (hp) | RPM | Voltage (V) | FLA | Weight (lb) |
|--------------|-----------------|-----------------|----------------------|----------------------|--------------|------------|------|-------------|-----------|-------------|
| S12XT4P033 | 200 | 20 | 1.21 | 0.07 | Three Phase | 0.33 | 1715 | 208-230/460 | 1.18/0.62 | 29.8 |
| S12XS4P033 | 200 | 20 | 1.21 | 0.07 | Single Phase | 0.33 | 1760 | 115/208-230 | 4.6/2.3 | 28.7 |
| S12XT2P050 | 400 | 20 | 4.86 | 0.07 | Three Phase | 0.5 | 3480 | 208-230/460 | 1.56/0.77 | 28.7 |
| S12XS2P050 | 400 | 20 | 4.86 | 0.07 | Single Phase | 0.5 | 3480 | 115/208-230 | 5.9/2.9 | 29.8 |

Property rights to all drawings, details, representations, ideas, data, notes and specifications either copies or originals thereof that may be incorporated into the design and/or project are the property solely of Plastec ventilation, inc. Permission for any copies of said copyrighted materials, drawings, details, representations, ideas, data, notes and specifications either originals or copies thereof to be made, copied or altered by any person, business, or corporation may only be authorized with the expressed written permission of Plastec ventilation, inc. By the use of this data, the user acknowledges that he/she has read and understand all of the notes included herein.



STORM 12

Performance Curve



— Standard RPM - - - Frequency Variation

Property rights to all drawings, details, representations, ideas, data, notes and specifications either copies or originals thereof that may be incorporated into the design and/or project are the property solely of Plastec ventilation, inc. Permission for any copies of said copyrighted materials, drawings, details, representations, ideas, data, notes and specifications either originals or copies thereof to be made, copied or altered by any person, business, or corporation may only be authorized with the expressed written permission of Plastec ventilation, inc. By the use of this data, the user acknowledges that he/she has read and understand all of the notes included herein.



STORM 12

Acoustic Data

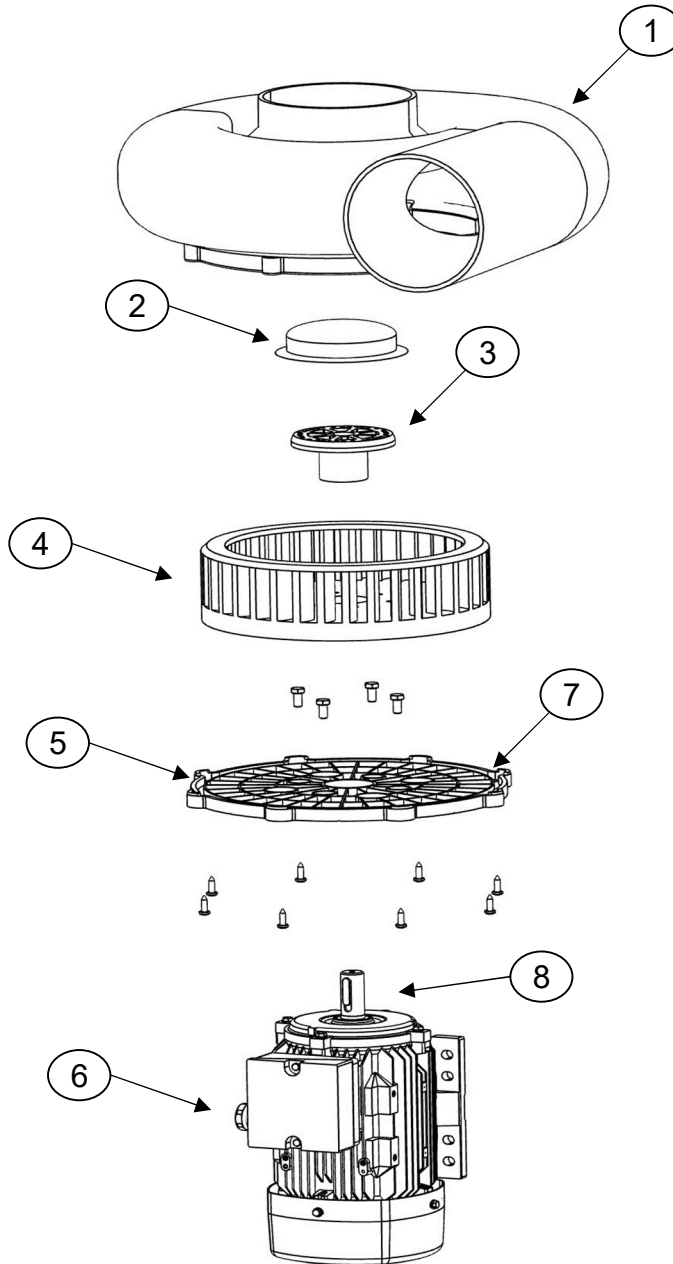
| | | Qv | Ps | Octave Band (Hz) | | | | | | | | Lw | Lw(A) | Lp(A) |
|----------|----------|-------|--------|------------------|------|------|------|------|------|------|------|------|-------|-------|
| | | (cfm) | (inwg) | 63 | 125 | 250 | 500 | 1000 | 2000 | 4000 | 8000 | dB | dB(A) | dB(A) |
| 3450 RPM | Inlet 1 | 351 | 1.84 | 66.2 | 63.2 | 74.9 | 75.9 | 76.5 | 71.1 | 67.7 | 61.8 | 87.9 | 86.0 | 83.9 |
| | Inlet 2 | 245 | 3.78 | 70.3 | 63.0 | 71.2 | 75.7 | 74.2 | 68.2 | 64.5 | 57.7 | 86.8 | 84.0 | 81.9 |
| | Inlet 3 | 173 | 4.50 | 69.7 | 65.5 | 70 | 72.9 | 72.4 | 66.4 | 63.3 | 56.3 | 87.3 | 82.2 | 80.2 |
| | Inlet 4 | 68 | 4.61 | 72.8 | 66.7 | 71.1 | 69.8 | 70.4 | 64.9 | 62.6 | 54.8 | 90 | 80.4 | 78.4 |
| | Outlet 1 | 351 | 1.84 | 88.9 | 73.4 | 74.6 | 74.3 | 79.5 | 75.4 | 71.3 | 64.1 | 100 | 89.2 | 87.1 |
| | Outlet 2 | 245 | 3.78 | 93.7 | 74.1 | 73.5 | 72.9 | 76.7 | 72.7 | 68.1 | 60.5 | 104 | 87.6 | 85.5 |
| | Outlet 3 | 173 | 4.50 | 94.5 | 77.2 | 73.8 | 71.5 | 74.8 | 71.1 | 66.0 | 58.5 | 104 | 86.5 | 84.5 |
| | Outlet 4 | 68 | 4.61 | 93.3 | 77.5 | 73.3 | 68.8 | 72.4 | 69.8 | 64.5 | 56.7 | 102 | 84.6 | 82.6 |
| 1725 RPM | Inlet 1 | 175 | 0.46 | 51.1 | 48.1 | 59.9 | 60.9 | 61.4 | 56.1 | 52.6 | 46.7 | 72.8 | 70.9 | 68.9 |
| | Inlet 2 | 122 | 0.94 | 55.2 | 47.9 | 56.2 | 60.6 | 59.1 | 53.2 | 49.5 | 42.7 | 71.8 | 68.9 | 66.8 |
| | Inlet 3 | 87 | 1.13 | 54.7 | 50.4 | 55 | 57.8 | 57.4 | 51.3 | 48.3 | 41.3 | 72.3 | 67.2 | 65.1 |
| | Inlet 4 | 34 | 1.15 | 57.7 | 51.6 | 56.1 | 54.8 | 55.3 | 49.9 | 47.6 | 39.8 | 74.9 | 65.4 | 63.3 |
| | Outlet 1 | 175 | 0.46 | 73.8 | 58.3 | 59.5 | 59.3 | 64.4 | 60.3 | 56.3 | 49 | 85.4 | 74.1 | 72.1 |
| | Outlet 2 | 122 | 0.94 | 78.6 | 59.1 | 58.4 | 57.8 | 61.6 | 57.6 | 53.0 | 45.4 | 88.9 | 72.5 | 70.5 |
| | Outlet 3 | 87 | 1.13 | 79.5 | 62.1 | 58.7 | 56.5 | 59.8 | 56.0 | 50.9 | 43.4 | 89.2 | 71.5 | 69.4 |
| | Outlet 4 | 34 | 1.15 | 78.3 | 62.5 | 58.3 | 53.8 | 57.3 | 54.8 | 49.4 | 41.7 | 87.3 | 69.6 | 67.5 |

Property rights to all drawings, details, representations, ideas, data, notes and specifications either copies or originals thereof that may be incorporated into the design and/or project are the property solely of Plastec ventilation, inc. Permission for any copies of said copyrighted materials, drawings, details, representations, ideas, data, notes and specifications either originals or copies thereof to be made, copied or altered by any person, business, or corporation may only be authorized with the expressed written permission of Plastec ventilation, inc. By the use of this data, the user acknowledges that he/she has read and understand all of the notes included herein.



STORM 12

Expanded View



| | |
|---|------------------|
| 1 | Housing |
| 2 | Hub Cap |
| 3 | Hub |
| 4 | Impeller |
| 5 | Motor Plate |
| 6 | Motor |
| 7 | Motor Plate Seal |
| 8 | Shaft Key |

Property rights to all drawings, details, representations, ideas, data, notes and specifications either copies or originals thereof that may be incorporated into the design and/or project are the property solely of Plastec ventilation, inc. Permission for any copies of said copyrighted materials, drawings, details, representations, ideas, data, notes and specifications either originals or copies thereof to be made, copied or altered by any person, business, or corporation may only be authorized with the expressed written permission of Plastec ventilation, inc. By the use of this data, the user acknowledges that he/she has read and understand all of the notes included herein.