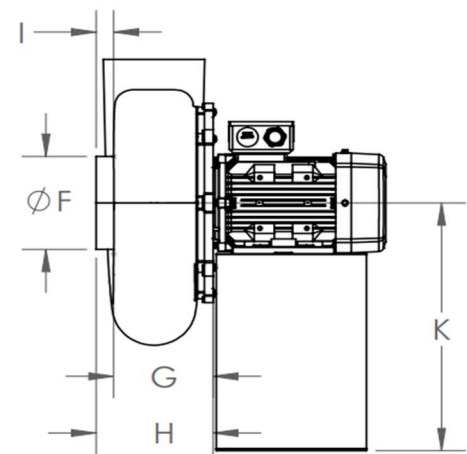
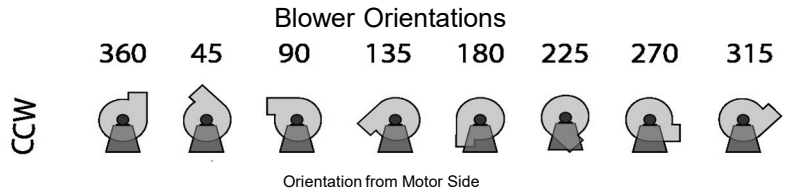
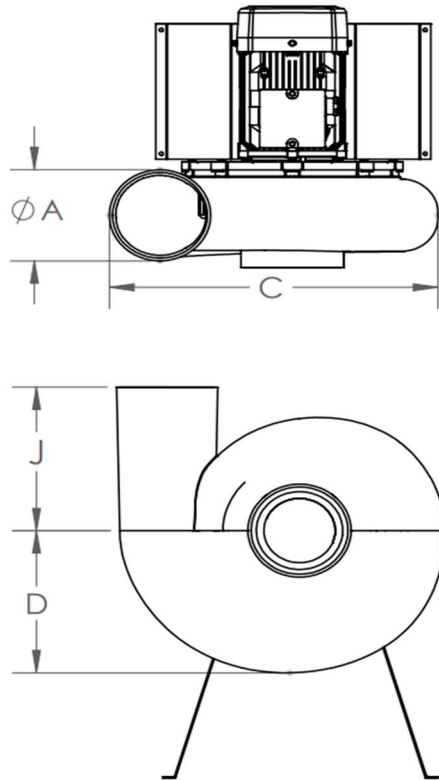




STORM 10



Blower shown with Optional Motor Support Stand

Mechanical Data

	ØA (OD)	C	D	ØF (OD)	G	H	I	J
in	2.95	9.83	4.99	2.95	3.34	4.99	1.65	6.21
mm	75	250	127	75	85	127	42	158

Motor Height (K)

	0.25 Hp	0.33 Hp
in	12.19	12.54
mm	310	319

Project Name	
Date	
Engineer/Sales Rep	
Client	
Contractor	

Property rights to all drawings, details, representations, ideas, data, notes and specifications either copies or originals thereof that may be incorporated into the design and/or project are the property solely of Plastec ventilation, inc. Permission for any copies of said copyrighted materials, drawings, details, representations, ideas, data, notes and specifications either originals or copies thereof to be made, copied or altered by any person, business, or corporation may only be authorized with the expressed written permission of Plastec ventilation, inc. By the use of this data, the user acknowledges that he/she has read and understand all of the notes included herein.



STORM 10

Model Numbers

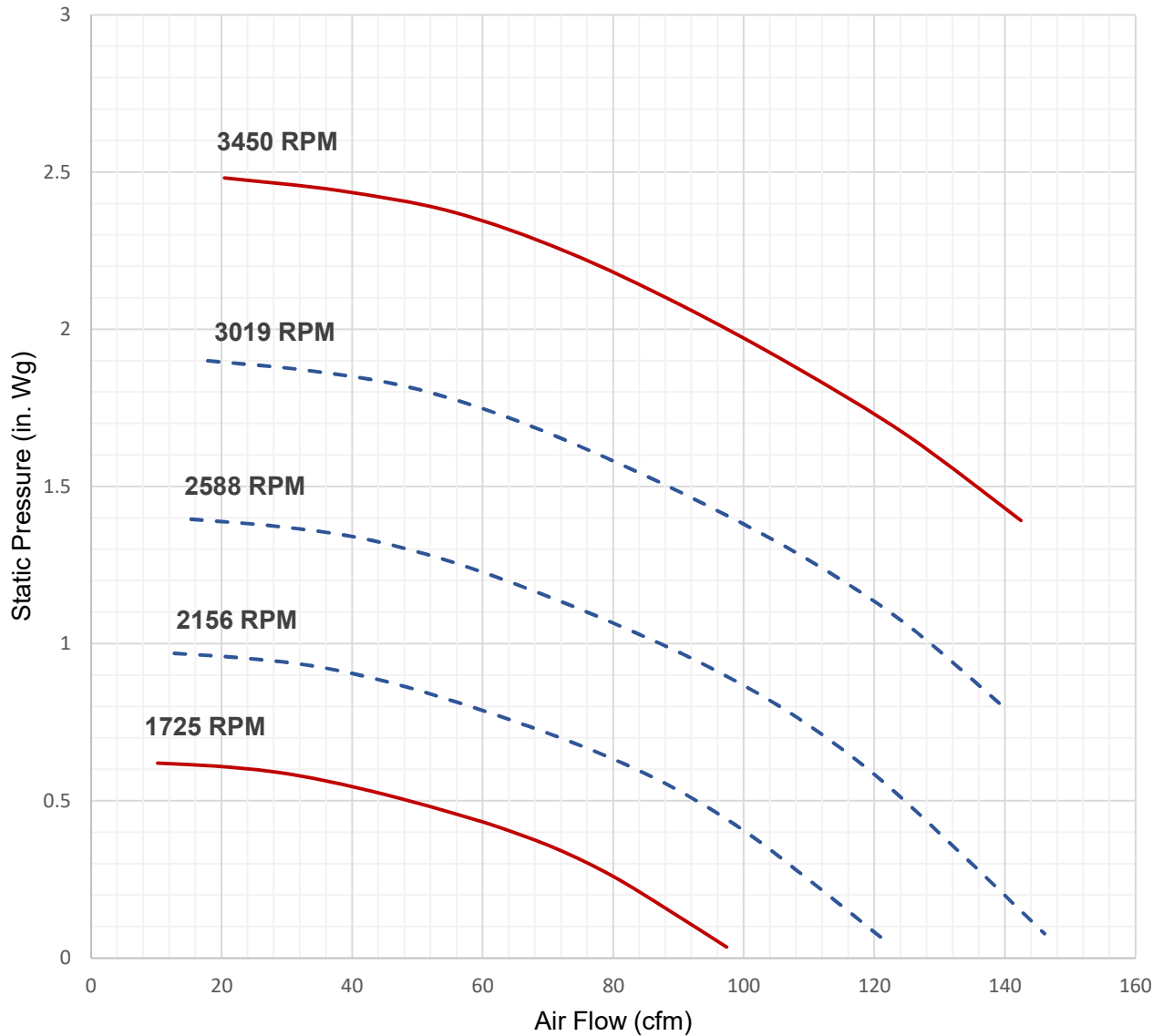
Model Number	Max. Flow (cfm)	Min. Flow (cfm)	Max. Static (in. Wg)	Min. Static (in. Wg)	Phase	Power (hp)	RPM	Voltage (V)	FLA	Weight (lb)
S10XS4P033	77	10	0.6	0.05	Single Phase	0.33	1760	115/208-230	4.6/2.3	27.0
S10XT2P025	150	10	2.4	0.05	Three Phase	0.25	3515	208-230/460	0.82/0.47	25.9
S10XS2P033	150	10	2.4	0.05	Single Phase	0.33	3400	115/208-230	4.6/2.3	28.1
S10XT4P025	77	10	0.6	0.05	Three Phase	0.25	1725	208-230/460	0.82/0.47	27.0

Property rights to all drawings, details, representations, ideas, data, notes and specifications either copies or originals thereof that may be incorporated into the design and/or project are the property solely of Plastec ventilation, inc. Permission for any copies of said copyrighted materials, drawings, details, representations, ideas, data, notes and specifications either originals or copies thereof to be made, copied or altered by any person, business, or corporation may only be authorized with the expressed written permission of Plastec ventilation, inc. By the use of this data, the user acknowledges that he/she has read and understand all of the notes included herein.



STORM 10

Performance Curve



— Standard RPM - - - Frequency Variation

Property rights to all drawings, details, representations, ideas, data, notes and specifications either copies or originals thereof that may be incorporated into the design and/or project are the property solely of Plastec ventilation, inc. Permission for any copies of said copyrighted materials, drawings, details, representations, ideas, data, notes and specifications either originals or copies thereof to be made, copied or altered by any person, business, or corporation may only be authorized with the expressed written permission of Plastec ventilation, inc. By the use of this data, the user acknowledges that he/she has read and understand all of the notes included herein.



STORM 10

Acoustic Data

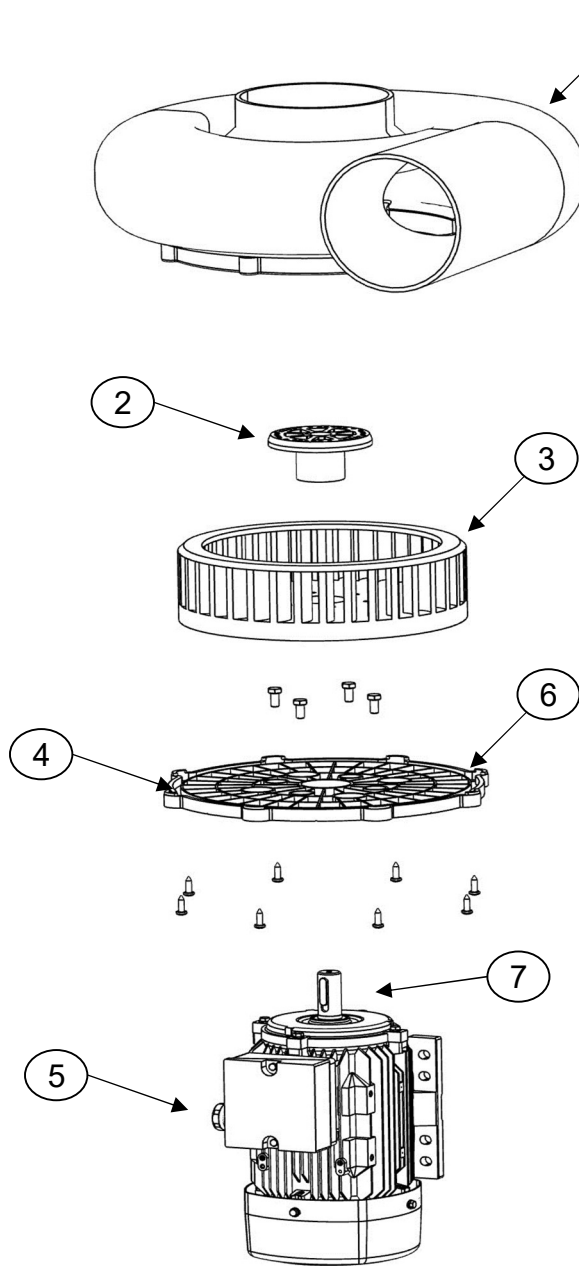
		Qv	Ps	Octave Band (Hz)								Lw	Lw(A)	Lp(A)
		(cfm)	(inwg)	63	125	250	500	1000	2000	4000	8000	dB	dB(A)	dB(A)
3450 RPM	Inlet 1	140	1.36	61.4	71.9	58.7	63.7	72.5	58.4	55.7	48.8	82.2	76.2	74.1
	Inlet 2	111	1.78	61.3	71.1	58.3	61.8	71.0	57.0	54.5	47.6	81.2	75.0	72.9
	Inlet 3	87	2.11	65.1	69.9	60.2	61.5	70.9	56.4	53.5	46.2	81.9	74.5	72.5
	Inlet 4	52	2.38	66.4	70.3	62.2	59.0	69.8	55.7	52.5	45.1	82.9	73.4	71.3
	Outlet 1	140	1.36	83.0	80.0	65.1	75.6	70.0	61.7	58.4	47.5	95	79.7	77.6
	Outlet 2	111	1.78	84.4	79.2	65.8	74.0	68.2	59.9	56.3	45.8	95.8	78.3	76.3
	Outlet 3	87	2.11	85.2	78.0	65.8	72.2	67.1	59.0	54.9	44.7	96.2	77.0	74.9
	Outlet 4	52	2.38	85.8	78.5	64.1	68.8	65.6	58.0	53.3	43.1	96.3	74.7	72.7
1725 RPM	Inlet 1	70	0.34	46.3	56.9	43.7	48.6	57.5	43.4	40.6	33.7	67.1	61.1	59.1
	Inlet 2	56	0.45	46.3	56.0	43.3	46.8	56.0	42.0	39.4	32.5	66.2	59.9	57.9
	Inlet 3	43	0.53	50.1	54.9	45.1	46.4	55.8	41.3	38.5	31.2	66.8	59.5	57.4
	Inlet 4	26	0.60	51.3	55.3	47.1	43.9	54.8	40.7	37.4	30	67.9	58.3	56.3
	Outlet 1	70	0.34	67.9	64.9	50.1	60.6	55.0	46.7	43.3	32.5	79.9	64.6	62.6
	Outlet 2	56	0.45	69.3	64.1	50.8	58.9	53.2	44.9	41.3	30.7	80.8	63.3	61.2
	Outlet 3	43	0.53	70.2	62.9	50.7	57.1	52.0	43.9	39.8	29.6	81.1	61.9	59.9
	Outlet 4	26	0.60	70.7	63.5	49	53.8	50.5	43.0	38.2	28	81.2	59.7	57.6

Property rights to all drawings, details, representations, ideas, data, notes and specifications either copies or originals thereof that may be incorporated into the design and/or project are the property solely of Plastec ventilation, inc. Permission for any copies of said copyrighted materials, drawings, details, representations, ideas, data, notes and specifications either originals or copies thereof to be made, copied or altered by any person, business, or corporation may only be authorized with the expressed written permission of Plastec ventilation, inc. By the use of this data, the user acknowledges that he/she has read and understand all of the notes included herein.



STORM 10

Expanded View



1	Housing
2	Hub
3	Impeller
4	Motor Plate
5	Motor
6	Motor Plate Seal
7	Shaft Key

Property rights to all drawings, details, representations, ideas, data, notes and specifications either copies or originals thereof that may be incorporated into the design and/or project are the property solely of Plastec ventilation, inc. Permission for any copies of said copyrighted materials, drawings, details, representations, ideas, data, notes and specifications either originals or copies thereof to be made, copied or altered by any person, business, or corporation may only be authorized with the expressed written permission of Plastec ventilation, inc. By the use of this data, the user acknowledges that he/she has read and understand all of the notes included herein.