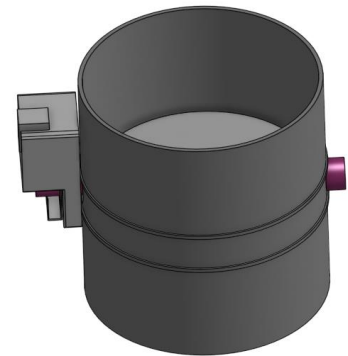
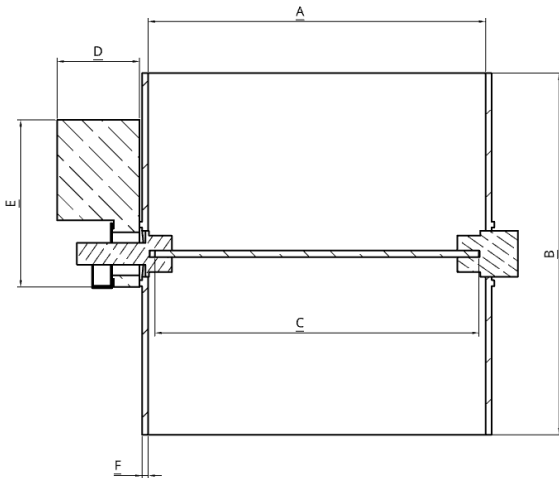




# STANDARD MOTORIZED DAMPER

Model Number	∅A (ID) in (mm)	B in (mm)	∅C in (mm)	D in (mm)	E in (mm)	F in (mm)	Weight Lbm (kg)
SMD125	4.92 (125)	5.51 (140)	4.53 (115)	2.4 (61)	4.88 (124)	0.18 (4.5)	4.7 (2.13)
SMD160	6.3 (160)	7.1 (180)	5.9 (150)	2.4 (61)	4.88 (124)	0.18 (4.5)	6 (2.72)
SMD200	7.87 (200)	8.85 (225)	7.48 (190)	2.4 (61)	4.88 (124)	0.18 (4.5)	6.61 (3)
SMD250	9.84 (250)	10.43 (265)	9.44 (240)	2.4 (61)	4.88 (124)	0.18 (4.5)	7.4 (3.35)
SMD315	12.4 (315)	12.0 (305)	12.0 (305)	2.4 (61)	4.88 (124)	0.18 (4.5)	5.31 (2.41)



## FEATURES

PVC damper equipped with a Belimo Actuator.

- Power supply: 100 – 240 V AC
- Opening/Closing delay: 35s
- Recommended up to 140°F temperature.
- All PVC internal parts.
- Offers an approximate 95% seal.
- 90° damper plate operation
- Can be installed either in vertical or horizontal position.
- 0.18 in (4.5 mm) thick walls
- IP54/NEMA 2 Rated Motor
- Open/Close Operation

### Wire colours:

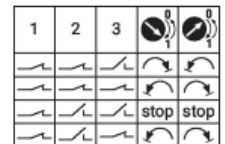
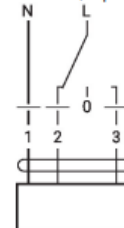
- 1 = blue
- 2 = brown
- 3 = white

### Wiring diagrams

AC 230 V, open/close



AC 230 V, 3-point



<b>Project Name</b>	
<b>Date</b>	
<b>Engineer / Sales Rep</b>	
<b>Client</b>	
<b>Contractor</b>	

Property rights to all drawings, details, representations, ideas, data, notes and specifications either copies or originals thereof that may be incorporated into the design and/or project are the property solely of Plastec ventilation, inc. Permission for any copies of said copyrighted materials, drawings, details, representations, ideas, data, notes and specifications either originals or copies thereof to be made, copied or altered by any person, business, or corporation may only be authorized with the expressed written permission of Plastec ventilation, inc. By the use of this data, the user acknowledges that he/she has read and understand all of the notes included herein.