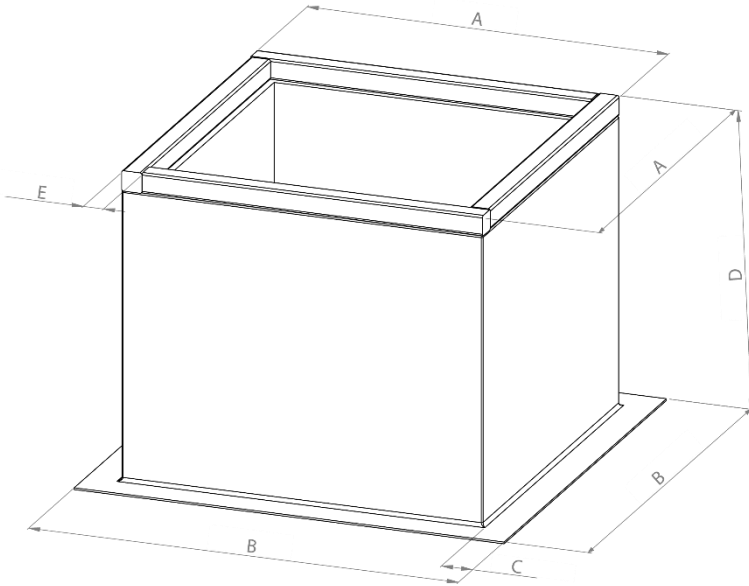




# ROOF CURB



Model Number	A in (mm)	B in (mm)	C in (mm)	D in (mm)	E in (mm)	Weight Lbs (kg)
<b>CURBGV18</b>	21 (533)	25 (635)	2 (51)	18 (457)	1.2 (30)	35 (16)
<b>CURBGV24</b>	21 (533)	25 (635)	2 (51)	24 ( )	1.2 (30)	45 (20)
<b>CURBGV3518</b>	27.25 (692)	31.25 (793)	2 (51)	18 (457)	1.2 (30)	45 (20)

## FEATURES

Designed for models JET 20, 25, 30 upblast inline blower and models PLASTEC 15, 20, 25, 30 & 35 blowers with Roof Unit Kit.

- Constructed of corrosive resistant Galvanized Aluminum 16ga
- Designed for flat roof installations only.
- Insulated, 1.5" x 3 LB density rigid fiberglass insulation.
- Treated wood nailers on top, flush.
- Flanges at the base.
- Continuously welded corners creating rigid monolithic construction and is designed to meet project weight requirements.
- Watertight design
- UL705 rated

<b>Project Name</b>	
<b>Date</b>	
<b>Engineer / Sales Rep</b>	
<b>Client</b>	
<b>Contractor</b>	

Property rights to all drawings, details, representations, ideas, data, notes and specifications either copies or originals thereof that may be incorporated into the design and/or project are the property solely of Plastec Ventilation, Inc. Permission for any copies of said copyrighted materials, drawings, details, representations, ideas, data, notes and specifications either originals or copies thereof to be made, copied or altered by any person, business, or corporation may only be authorized with the expressed written permission of Plastec Ventilation, Inc. By the use of this data, the user acknowledges that he/she has read and understand all of the notes included herein.