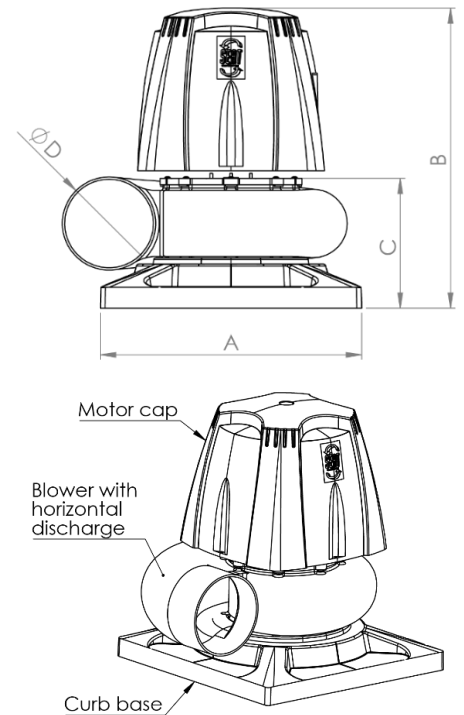




# ROOF UNIT KIT

Model Number	A in (mm)	B in (mm)	C in (mm)	D in (mm)	Weight * Lbs (kg)	Roof Curb Dimension	Blower compatibility
RU15	22 (560)	23.6 (600)	10 (253)	5 (125)	25 (11.3)	21x21"	PLASTEC 15
RU20	22 (560)	24.57 (624)	10.16 (258)	6.3 (160)	26.5 (12)	21x21"	PLASTEC 20
RU25	22 (560)	25.4 (645)	11 (280)	7.9 (200)	30.9 (14)	21x21"	PLASTEC 25
RU30	22 (560)	26.4 (670)	12 (304)	9.84 (250)	35.3 (16)	21x21"	PLASTEC 30
RU35	28.5 (725)	36.6 (930)	14.8 (377)	12.4 (315)	94.8 (43)	27.25x27.25"	PLASTEC 35
RU15CIP	22 (560)	23.6 (600)	9.96 (253)	5 (125)	25 (11.3)	21x21"	PLASTEC 15 XP
RU20CIP	22 (560)	24.57 (624)	10.16 (258)	6.3 (160)	26.5 (12)	21x21"	PLASTEC 20 XP
RU25CIP	22 (560)	25.4 (645)	11 (280)	7.9 (200)	30.9 (14)	21x21"	PLASTEC 25 XP
RU30CIP	22 (560)	26.4 (670)	12 (304)	9.84 (250)	35.3 (16)	21x21"	PLASTEC 30 XP
RU35CIP	28.5 (725)	36.6 (930)	14.8 (377)	12.4 (315)	94.8 (43)	27.25x27.25"	PLASTEC 35 XP

CIP = "Carbon Impregnated Polypropylene". Material suited for explosion resistant blower systems.  
 XP = Explosion Resistant



## FEATURES

Utility blower roof curb mounting Kit for PLASTEC series blower models PLASTEC 15, 20, 25, 30 & 35. Composed of a curb base 21x21" (27.25x27.25" for RU35 and RU35CIP) motor cap weather protection, and a bird screen. The RU35 and RU35CIP have a 27.25 x 27.25" curb base.

- Manufactured from Polypropylene material for corrosion resistance.
- All components are UV treated.
- Horizontal discharge only and available in all 8 positions with 45° increments.
- Curb base made to fit on standard roof curb 21x21" (27.25x27.25" for RU35 and RU35CIP)
- Motor cap for weather protection.
- Polypropylene motor cap is easily removable for an easy maintenance access.
- Exhaust guard/bird screen provided with kit.
- Watertight design to avoid water entry thru the curb.
- Optional disconnect switch can be pre-mounted and pre-wired.

<b>Project Name</b>	
<b>Date</b>	
<b>Engineer / Sales Rep</b>	
<b>Client</b>	
<b>Contractor</b>	

Property rights to all drawings, details, representations, ideas, data, notes and specifications either copies or originals thereof that may be incorporated into the design and/or project are the property solely of Plastec Ventilation, Inc. Permission for any copies of said copyrighted materials, drawings, details, representations, ideas, data, notes and specifications either originals or copies thereof to be made, copied or altered by any person, business, or corporation may only be authorized with the expressed written permission of Plastec Ventilation, Inc. By the use of this data, the user acknowledges that he/she has read and understand all of the notes included herein.