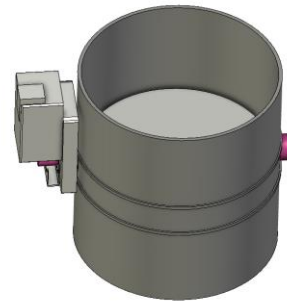
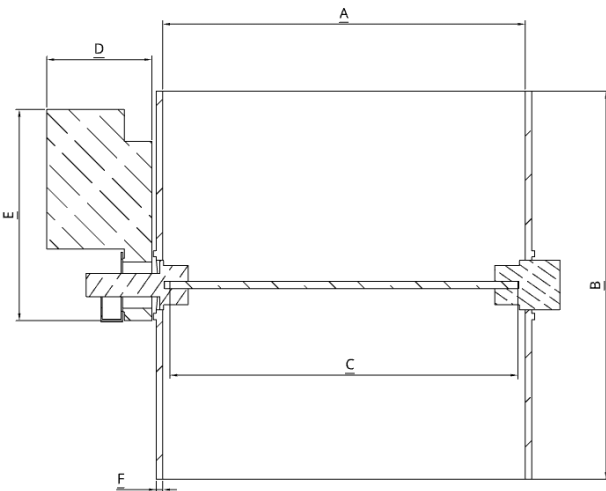




PROPORTIONAL MOTORIZED DAMPER

Model Number	∅A (ID) in (mm)	B in (mm)	∅C in (mm)	D in (mm)	E in (mm)	F in (mm)	Weight Lbs (kg)
PMD125	4.92 (125)	5.51 (140)	4.53 (115)	2.85 (72.5)	5.72 (145.5)	0.18 (4.5)	4.7 (2.13)
PMD160	6.3 (160)	7.1 (180)	5.9 (150)	2.85 (72.5)	5.72 (145.5)	0.18 (4.5)	6 (2.72)
PMD200	7.87 (200)	8.85 (225)	7.48 (190)	2.85 (72.5)	5.72 (145.5)	0.18 (4.5)	6.61 (3)
PMD250	9.84 (250)	10.43 (265)	9.44 (240)	2.85 (72.5)	5.72 (145.5)	0.18 (4.5)	7.4 (3.35)
PMD315	12.4 (315)	12.0 (305)	12.0 (305)	2.85 (72.5)	5.72 (145.5)	0.18 (4.5)	5.31 (2.41)

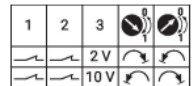
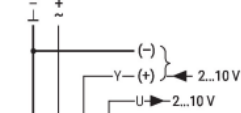


Wire colours:

- 1 = black
- 2 = red
- 3 = white
- 5 = orange

Wiring diagrams

AC/DC 24 V, modulating

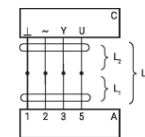


Signal cable lengths

FEATURES

PVC damper equipped with a Belimo 0/10v Actuator.

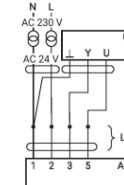
- Power supply: 24V AC/DC
- Input signal: 0/10V
- Opening delay: 10s
- Recommended up to 140°F temperature.
- All PVC internal parts.
- Offers an approximate 95% seal.
- 90° damper plate operation
- Can be installed either in vertical or horizontal position.
- 0.18 in (4.5 mm) thick walls
- IP54/NEMA 2 Rated Motor
- Open/Close and Modulating Operation



L ₁ mm ²	L _{tot} = L ₁ + L ₂	
	AC	DC
0.75 mm ²	≤30 m	≤5 m
1.00 mm ²	≤40 m	≤8 m
1.50 mm ²	≤70 m	≤12 m
2.50 mm ²	≤100 m	≤20 m

A = Actuator
C = Control unit (controlling unit)
L1 = Connecting cable of the actuator
L2 = Customer cable
Ltot = Maximum signal cable length

Note:
When several actuators are connected in parallel, the maximum signal cable length must be divided by the number of actuators.



A = Actuator
C = Control unit (controlling unit)
L1 = Connecting cable of the actuator

Note:
There are no special restrictions on installation if the supply and the data cable are routed separately.

Project Name	
Date	
Engineer / Sales Rep	
Client	
Contractor	

Property rights to all drawings, details, representations, ideas, data, notes and specifications either copies or originals thereof that may be incorporated into the design and/or project are the property solely of Plastec ventilation, inc. Permission for any copies of said copyrighted materials, drawings, details, representations, ideas, data, notes and specifications either originals or copies thereof to be made, copied or altered by any person, business, or corporation may only be authorized with the expressed written permission of Plastec ventilation, inc. By the use of this data, the user acknowledges that he/she has read and understand all of the notes included herein.