

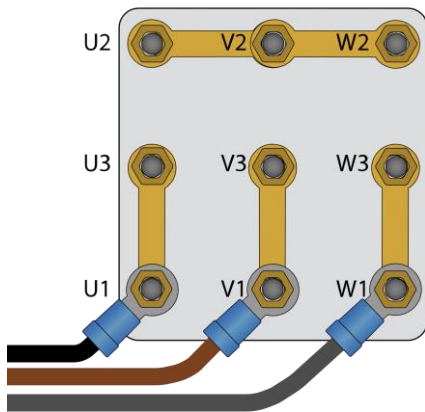


PLASTEC MOTOR WIRINGS

3-PHASE TEFC MOTORS

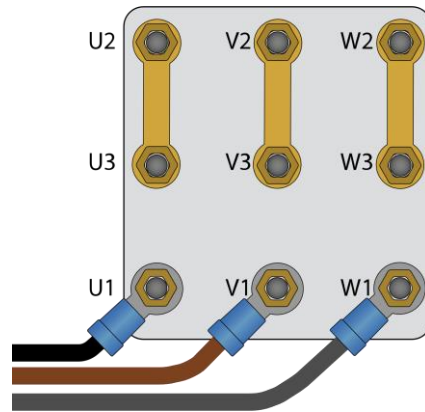
YY wiring

Low voltage - 200/230 VAC



Y wiring

High voltage - 460 VAC

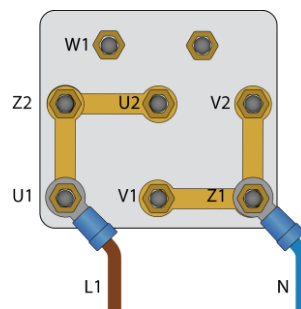
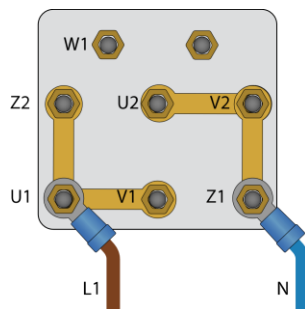


1-PHASE TEFC MOTORS

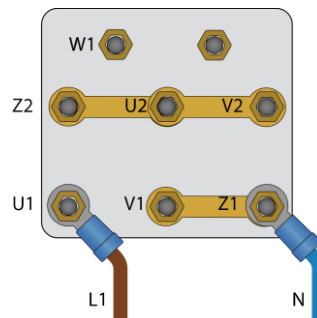
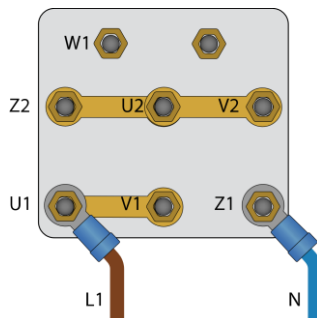
CCW

CW

LOW VOLTAGE



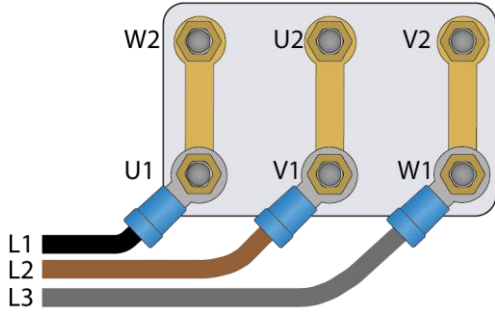
HIGHT VOLTAGE



3-PHASE XPFC MOTORS

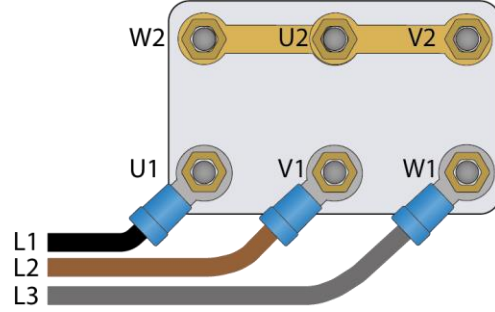
△ wiring

Low voltage - 200/230 VAC



Y wiring

High voltage - 460 VAC

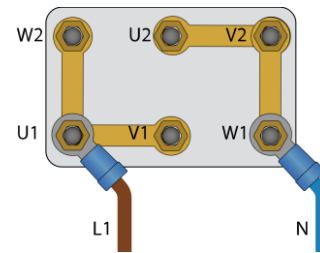
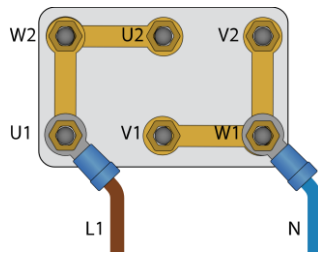


1-PHASE XPFC MOTORS

CCW

CW

LOW VOLTAGE



HIGHT VOLTAGE

