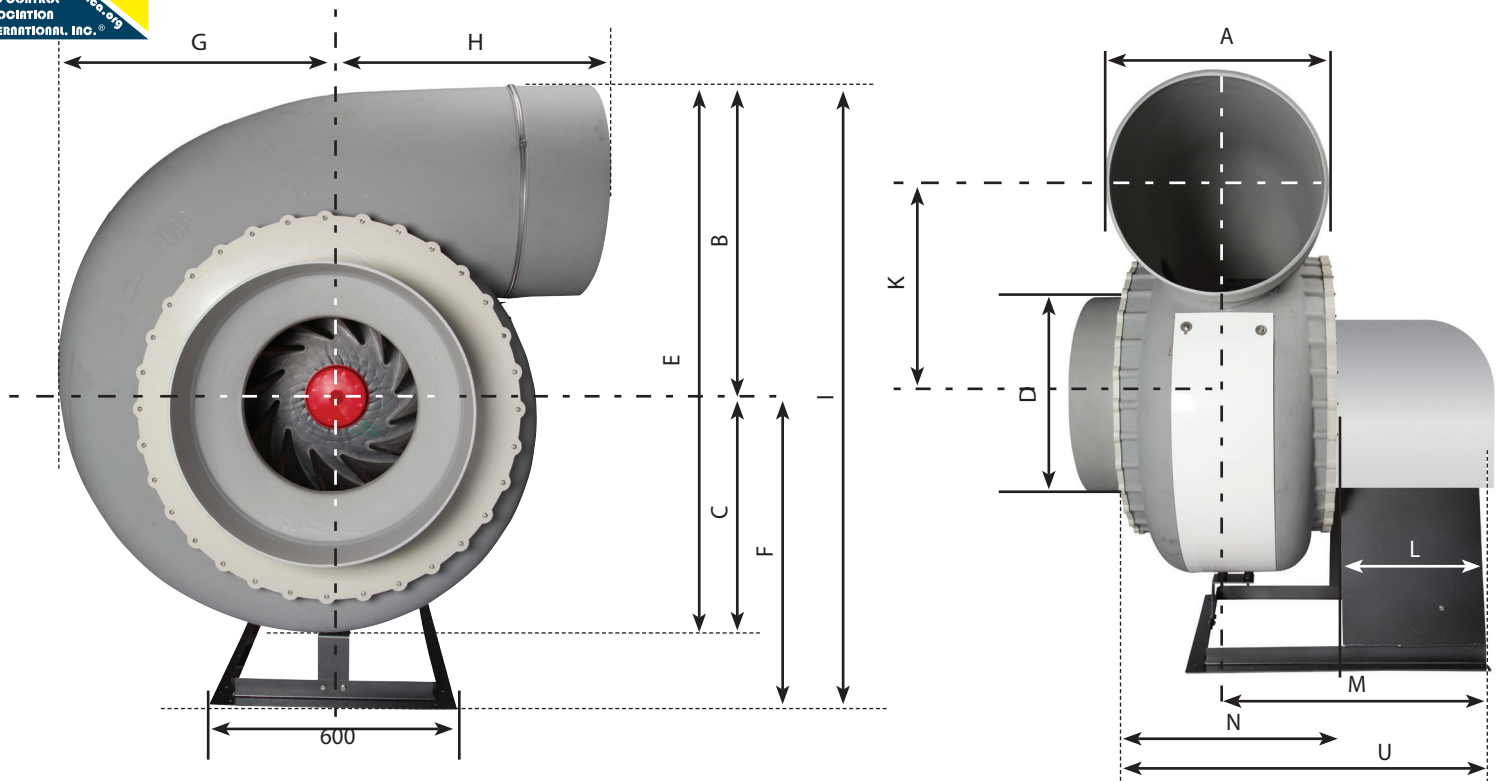




PLASTEC 50




Includes: Protection plate around the housing and Metal stand

CCW POSITION ONLY


* Pictures and dimensions non-contractual

Dimensional data															
Metal stand is included - Motor size may vary upon model															
A	D	B	C	E	F	G	H	I	I CCW90	K+F	K	L	M	N	U
19.69	23.62	30.12	21.65	51.77	29.13	25.98	24.02	53.15	59.25	49.41	20.28	15.75	28.15	24.41	40.16

Discharge positions
View from inlet side

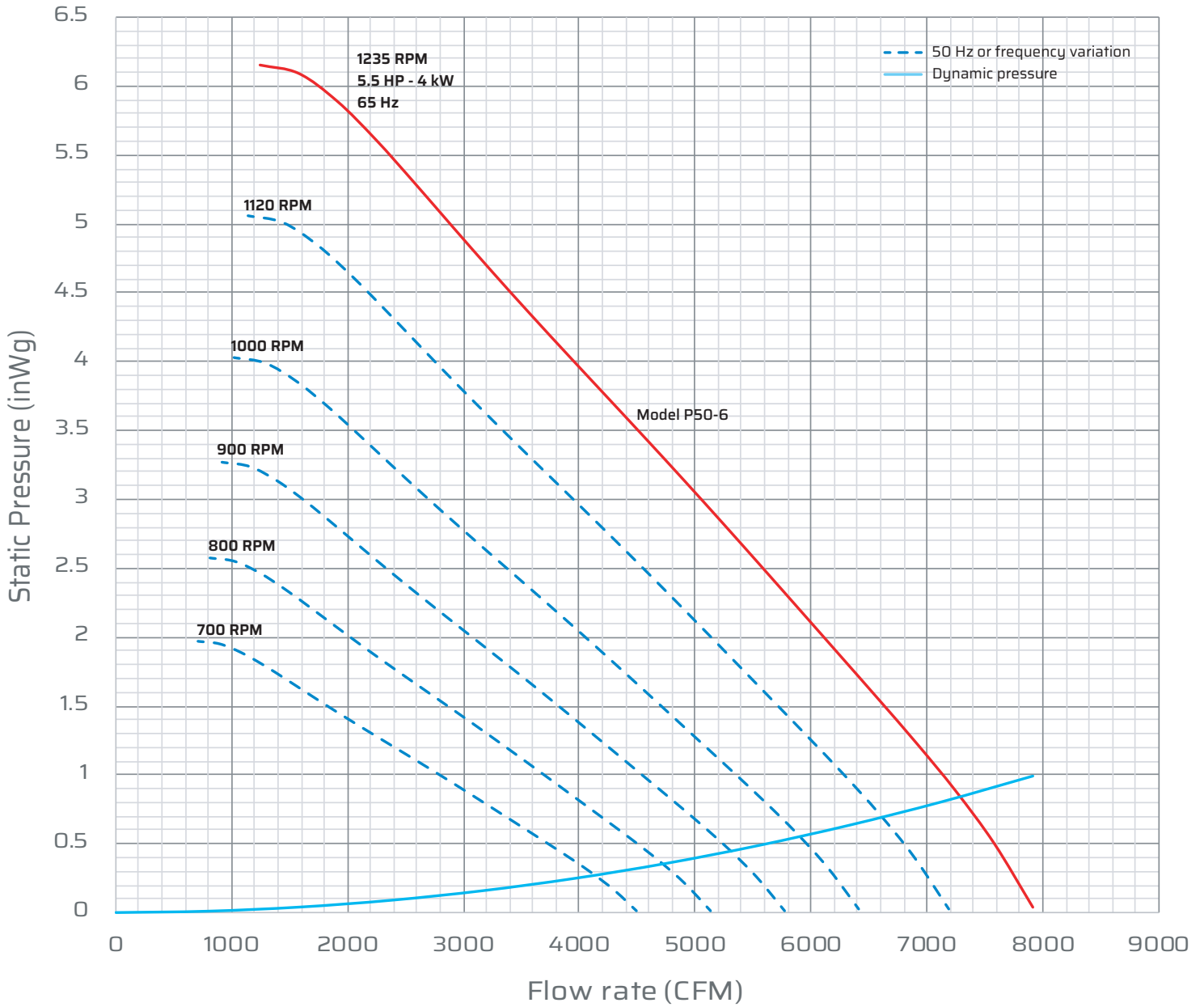


CCW 360



CCW 90

PLASTEC 50



Inlet sound

	Q _v	SP	LwA	LpA *	Octave band (Hz)							
RPM	(CFM)	(inWg)	dB(A)	dB(A)	63	125	250	500	1000	2000	4000	8000
900	2900	2	77	57	92	83	80	73	73	63	57	51
	4355	1	78	58	92	83	80	75	73	64	58	53
1235	3984	3.77	84	64	99	90	86	80	80	70	64	58
	5975	2	85	64	99	90	87	82	80	71	65	60

* Acoustic pressure Lp at 10 feet - Outlet acoustic data available on request