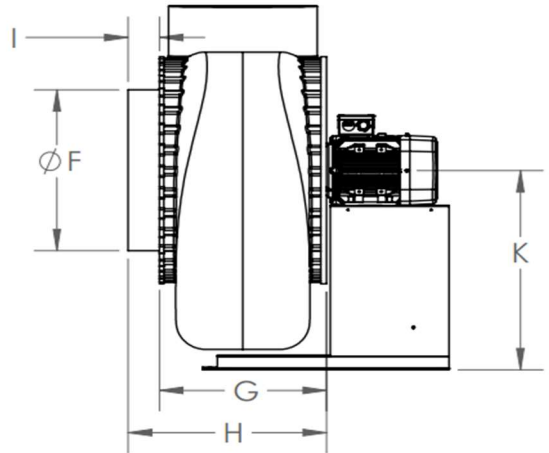
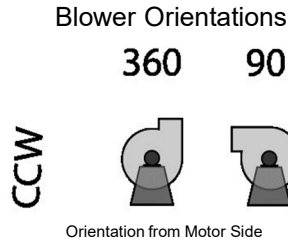
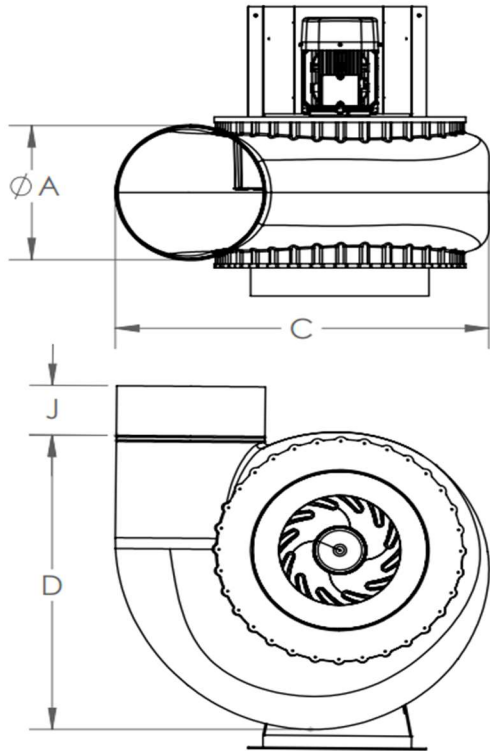




PLASTEC 50



Mechanical Data

	ØA (OD)	C	D	ØF (OD)	G	H	I	J
in	19.65	49.48	42.99	23.58	22.1	26.25	4.13	7.27
mm	500	1259	1094	600	563	668	105	185

Motor Height (K)

	5.5 Hp	10 Hp
in	29.13	29.13
mm	741	741

Project Name	
Date	
Engineer/Sales Rep	
Client	
Contractor	

Property rights to all drawings, details, representations, ideas, data, notes and specifications either copies or originals thereof that may be incorporated into the design and/or project are the property solely of Plastec ventilation, inc. Permission for any copies of said copyrighted materials, drawings, details, representations, ideas, data, notes and specifications either originals or copies thereof to be made, copied or altered by any person, business, or corporation may only be authorized with the expressed written permission of Plastec ventilation, inc. By the use of this data, the user acknowledges that he/she has read and understand all of the notes included herein.



PLASTEC 50

Model Numbers

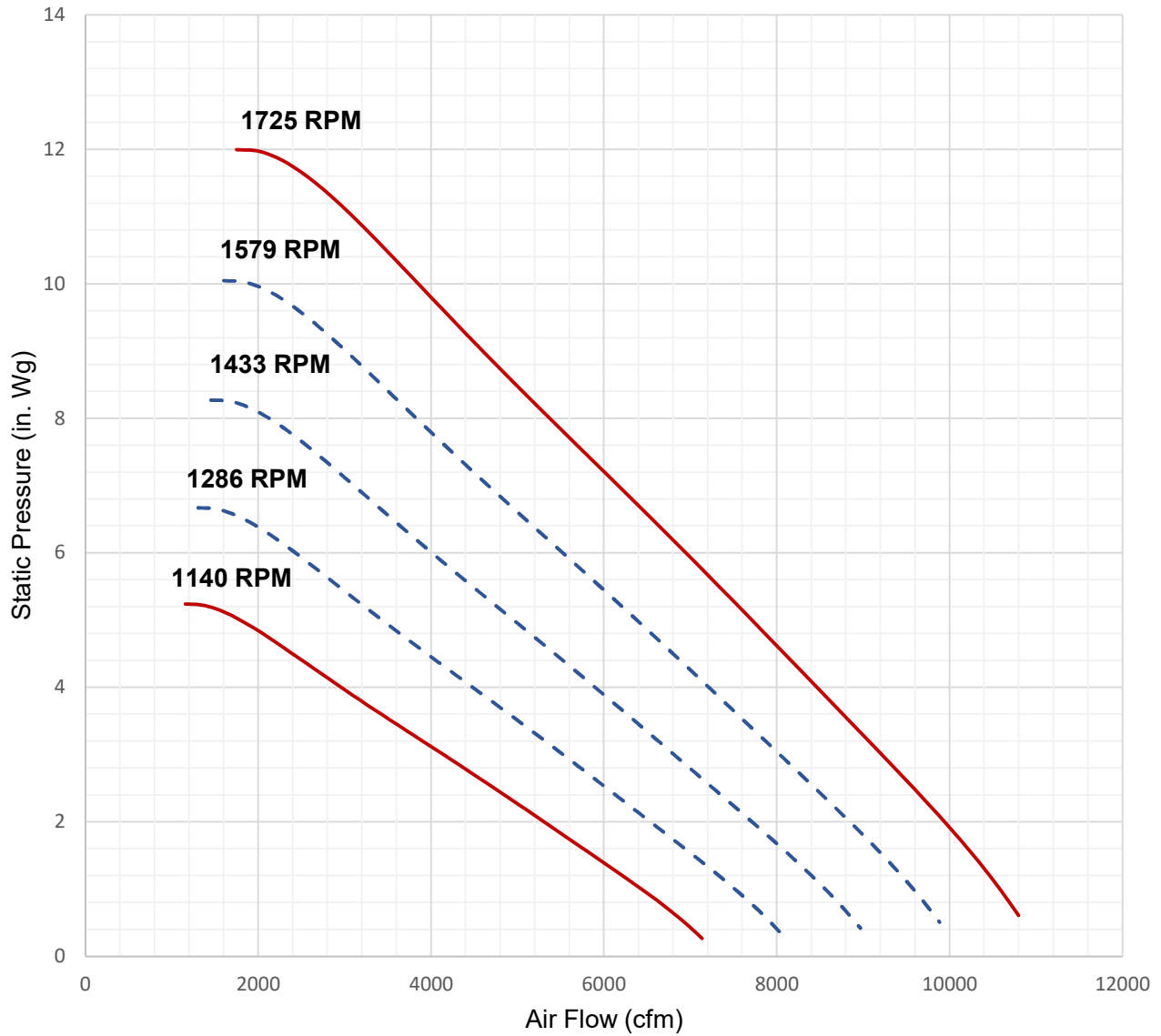
Model Number	Max. Flow (cfm)	Min. Flow (cfm)	Max. Static (in. Wg)	Min. Static (in. Wg)	Phase	Power (hp)	RPM	Voltage (V)	FLA	Weight (lb)
P50ST4P1000	10800	800	12	0.3	Three Phase	10	1760	208-230/460	26.3-23.9/12.00	256.7
P50ST6P550	7000	800	5.7	0.3	Three Phase	5.5	1170	208-230/460	15.9-14.8/7.38	255.2

Property rights to all drawings, details, representations, ideas, data, notes and specifications either copies or originals thereof that may be incorporated into the design and/or project are the property solely of Plastec ventilation, inc. Permission for any copies of said copyrighted materials, drawings, details, representations, ideas, data, notes and specifications either originals or copies thereof to be made, copied or altered by any person, business, or corporation may only be authorized with the expressed written permission of Plastec ventilation, inc. By the use of this data, the user acknowledges that he/she has read and understand all of the notes included herein.



PLASTEC 50

Performance Curve



— Standard RPM - - - Frequency Variation

Property rights to all drawings, details, representations, ideas, data, notes and specifications either copies or originals thereof that may be incorporated into the design and/or project are the property solely of Plastec ventilation, inc. Permission for any copies of said copyrighted materials, drawings, details, representations, ideas, data, notes and specifications either originals or copies thereof to be made, copied or altered by any person, business, or corporation may only be authorized with the expressed written permission of Plastec ventilation, inc. By the use of this data, the user acknowledges that he/she has read and understand all of the notes included herein.



PLASTEC 50

Acoustic Data

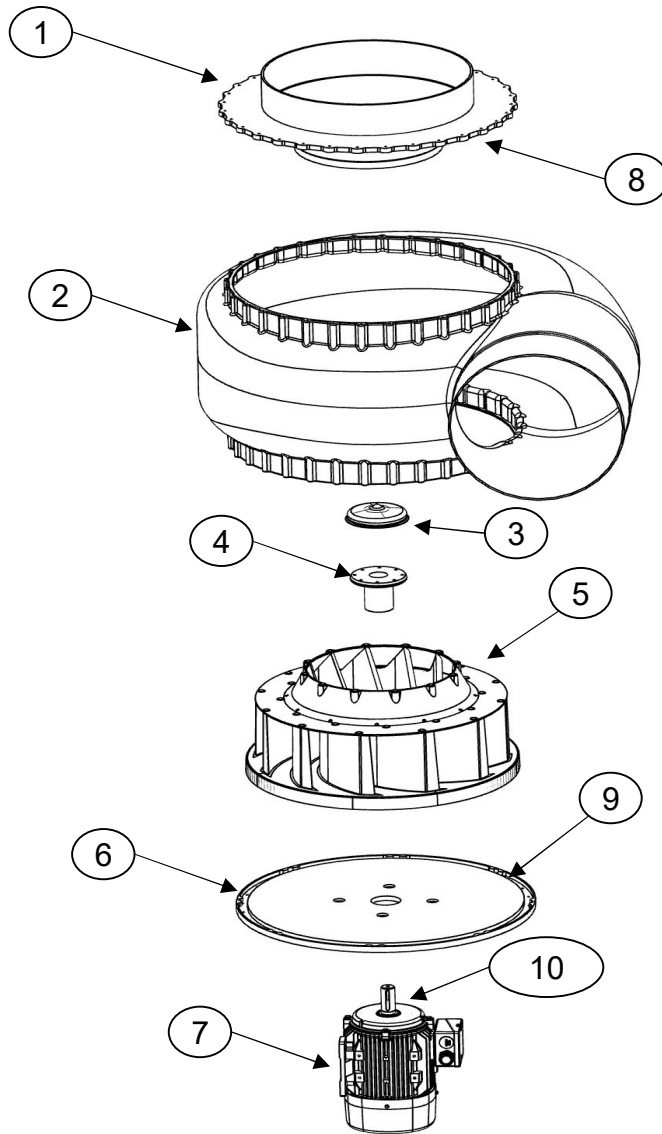
		Qv	Ps	Octave Band (Hz)								Lw	Lw(A)	Lp(A)
		(cfm)	(inwg)	63	125	250	500	1000	2000	4000	8000	dB	dB(A)	dB(A)
1725 RPM	Inlet 1	10405	1.16	90.2	88.3	87.8	84.5	85.1	74.8	68.6	62.2	100	92.7	90.6
	Inlet 2	8339	3.91	89.9	86.9	86.7	84.4	83.0	72.1	68.1	62.6	99.6	91.5	89.4
	Inlet 3	5560	7.36	90.5	86.7	86.1	81.4	82.5	72.1	66.1	60.4	99.3	91.1	89.0
	Inlet 4	3452	9.97	91.1	89.7	86.9	80.6	79.9	76.5	67.2	61.6	101	91.0	89.0
	Outlet 1	10405	1.16	99.5	96.7	93	93.0	89.1	82.3	75.3	70.6	106	99.3	97.3
	Outlet 2	8339	3.91	97.9	93.9	90.5	90.5	84.6	78.0	71.4	66.1	103	96.2	94.1
	Outlet 3	5560	7.36	99.3	92.8	89.1	87.6	80.5	74.1	69.0	64.2	103	93.2	91.2
	Outlet 4	3452	9.97	100.6	95.1	93	86.6	79.1	73.6	68.0	63.8	106	96.7	94.7
1140 RPM	Inlet 1	6876	0.51	81.2	79.3	78.8	75.5	76.1	65.8	59.6	53.2	91.2	83.7	81.6
	Inlet 2	5511	1.71	80.9	77.9	77.7	75.4	74.0	63.1	59.1	53.6	90.7	82.5	80.4
	Inlet 3	3675	3.21	81.5	77.7	77.1	72.4	73.5	63.1	57.1	51.4	90.3	82.1	80.0
	Inlet 4	2281	4.36	82.1	80.7	78	71.7	70.9	67.5	58.2	52.6	92.3	82.0	80.0
	Outlet 1	6876	0.51	90.5	87.7	84	84.0	80.1	73.3	66.3	61.6	96.7	90.3	88.3
	Outlet 2	5511	1.71	88.9	84.9	81.5	81.5	75.6	69.0	62.4	57.1	94.5	87.2	85.1
	Outlet 3	3675	3.21	90.3	83.8	80.1	78.6	71.5	65.1	60.0	55.2	93.9	84.2	82.2
	Outlet 4	2281	4.36	91.6	86.1	84	77.6	70.1	64.6	59.1	54.9	96.9	87.7	85.7

Property rights to all drawings, details, representations, ideas, data, notes and specifications either copies or originals thereof that may be incorporated into the design and/or project are the property solely of Plastec ventilation, inc. Permission for any copies of said copyrighted materials, drawings, details, representations, ideas, data, notes and specifications either originals or copies thereof to be made, copied or altered by any person, business, or corporation may only be authorized with the expressed written permission of Plastec ventilation, inc. By the use of this data, the user acknowledges that he/she has read and understand all of the notes included herein.



PLASTEC 50

Expanded View



1	Inlet Flange
2	Housing
3	Hub Cap
4	Hub
5	Impeller
6	Motor Plate
7	Motor
8	Inlet Gasket
9	Motor Plate Seal
10	Shaft Key

Property rights to all drawings, details, representations, ideas, data, notes and specifications either copies or originals thereof that may be incorporated into the design and/or project are the property solely of Plastec ventilation, inc. Permission for any copies of said copyrighted materials, drawings, details, representations, ideas, data, notes and specifications either originals or copies thereof to be made, copied or altered by any person, business, or corporation may only be authorized with the expressed written permission of Plastec ventilation, inc. By the use of this data, the user acknowledges that he/she has read and understand all of the notes included herein.