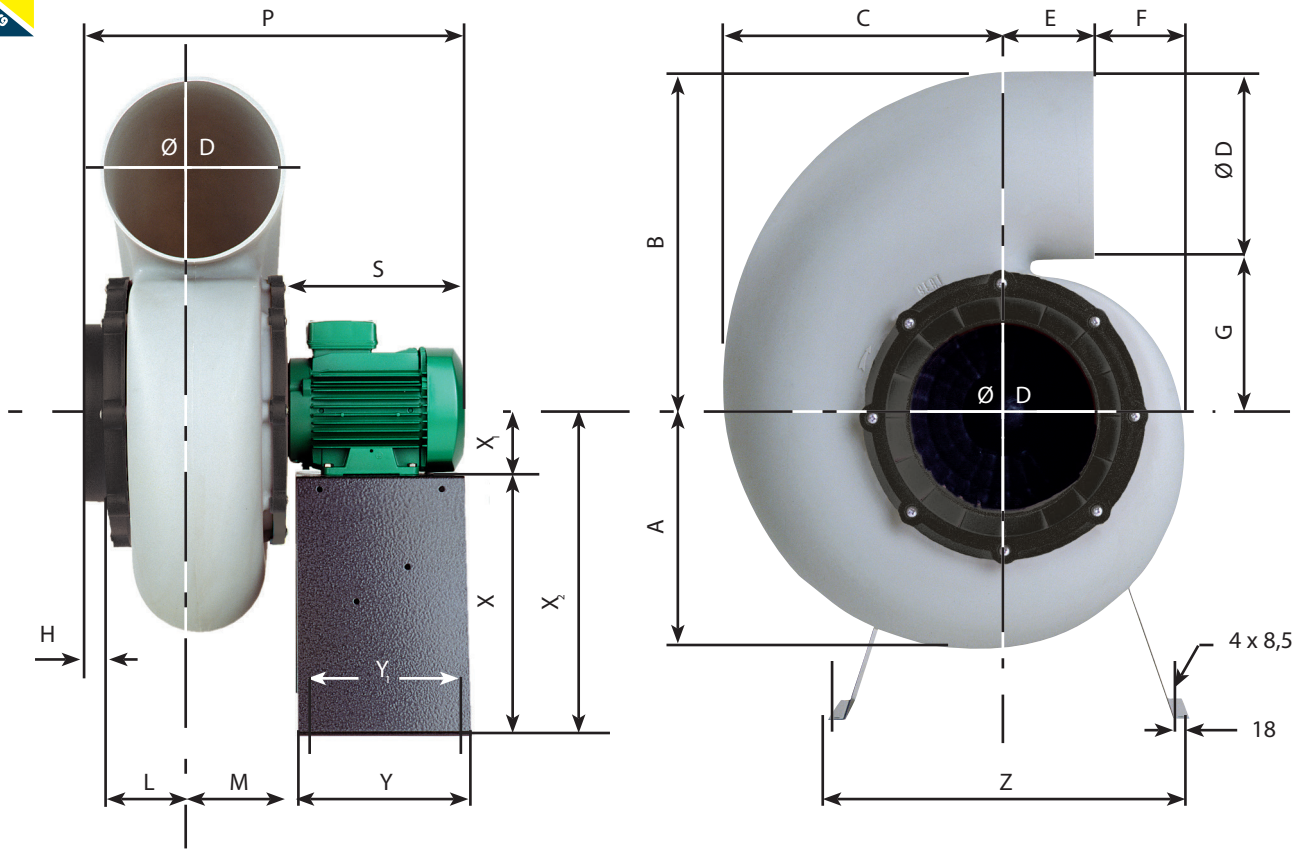




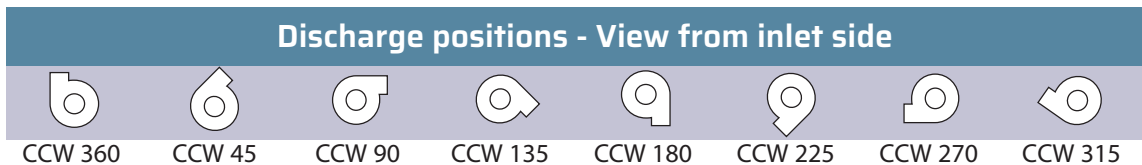
# PLASTEC 35



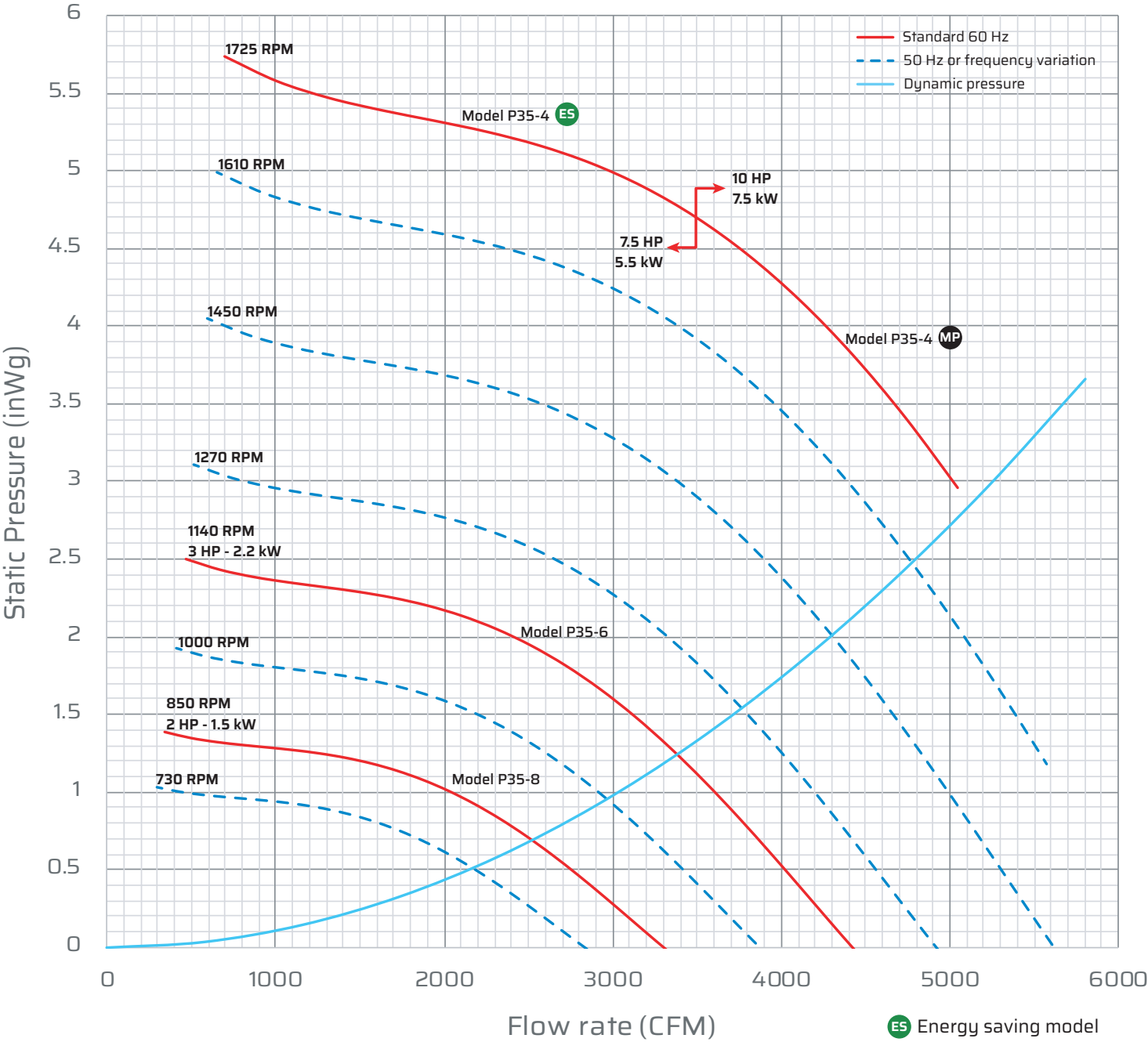
CCW POSITION ONLY

\* Pictures and dimensions non-contractual

Dimensional data																	
Metal stand is optional - Motor size may vary upon model																	
A	B	C	ØD	E	F	G	H	L	M	P	S	Y	Y <sub>1</sub>	Z	X	X <sub>1</sub>	X <sub>2</sub>
14.57	22.44	17.72	12.40	5.12	6.69	10.04	2.36	5.91	6.69	32.36	17.01	13.78	12.36	23.62	18.43	5.20	23.62



# PLASTEC 35



ES Energy saving model  
 MP Maximum power model

## Inlet sound

	Q <sub>v</sub>	SP	LwA	LpA *	Octave band (Hz)							
RPM	(CFM)	(inWg)	dB(A)	dB(A)	63	125	250	500	1000	2000	4000	8000
1140	2720	1.75	84	63	90	93	84	80	77	75	72	66
1725	4118	4	93	72	99	102	93	89	86	84	81	75

\* Acoustic pressure Lp at 10 feet - Outlet acoustic data available on request