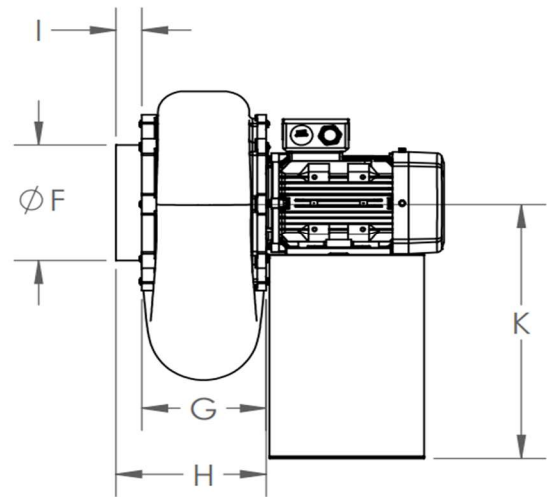
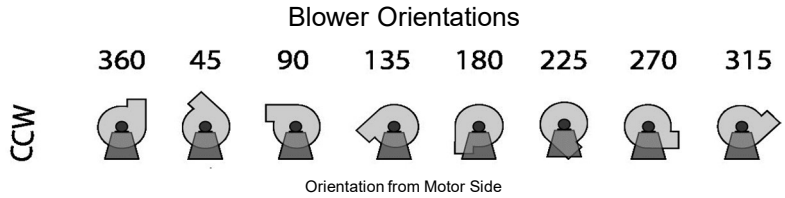
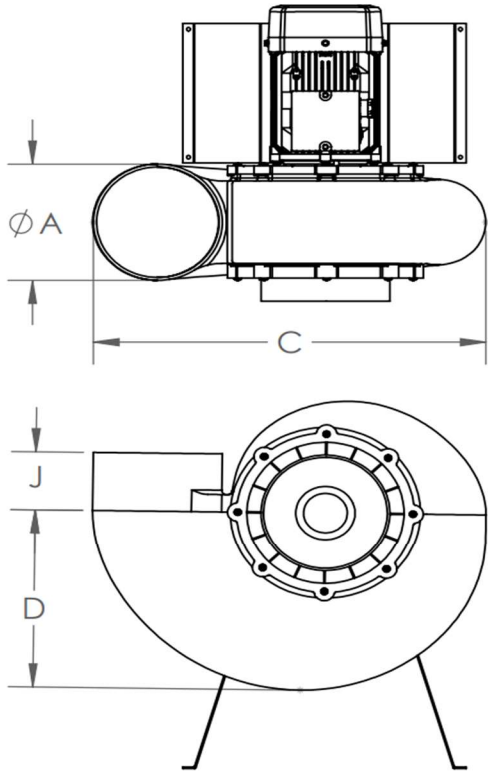




PLASTEC 35



Blower shown with Optional Motor Support Stand

Mechanical Data

	ØA (OD)	C	D	ØF (OD)	G	H	I	J
in	12.38	36.94	17.69	12.38	12.0	14.47	2.44	4.17
mm	315	940	450	315	306	368.3	62	106

Motor Height (K)

	2 Hp 3 Hp	7.5 Hp 10 Hp
in	22.81	23.59
mm	580	600

Project Name	
Date	
Engineer/Sales Rep	
Client	
Contractor	

Property rights to all drawings, details, representations, ideas, data, notes and specifications either copies or originals thereof that may be incorporated into the design and/or project are the property solely of Plastec ventilation, inc. Permission for any copies of said copyrighted materials, drawings, details, representations, ideas, data, notes and specifications either originals or copies thereof to be made, copied or altered by any person, business, or corporation may only be authorized with the expressed written permission of Plastec ventilation, inc. By the use of this data, the user acknowledges that he/she has read and understand all of the notes included herein.



PLASTEC 35

Model Numbers

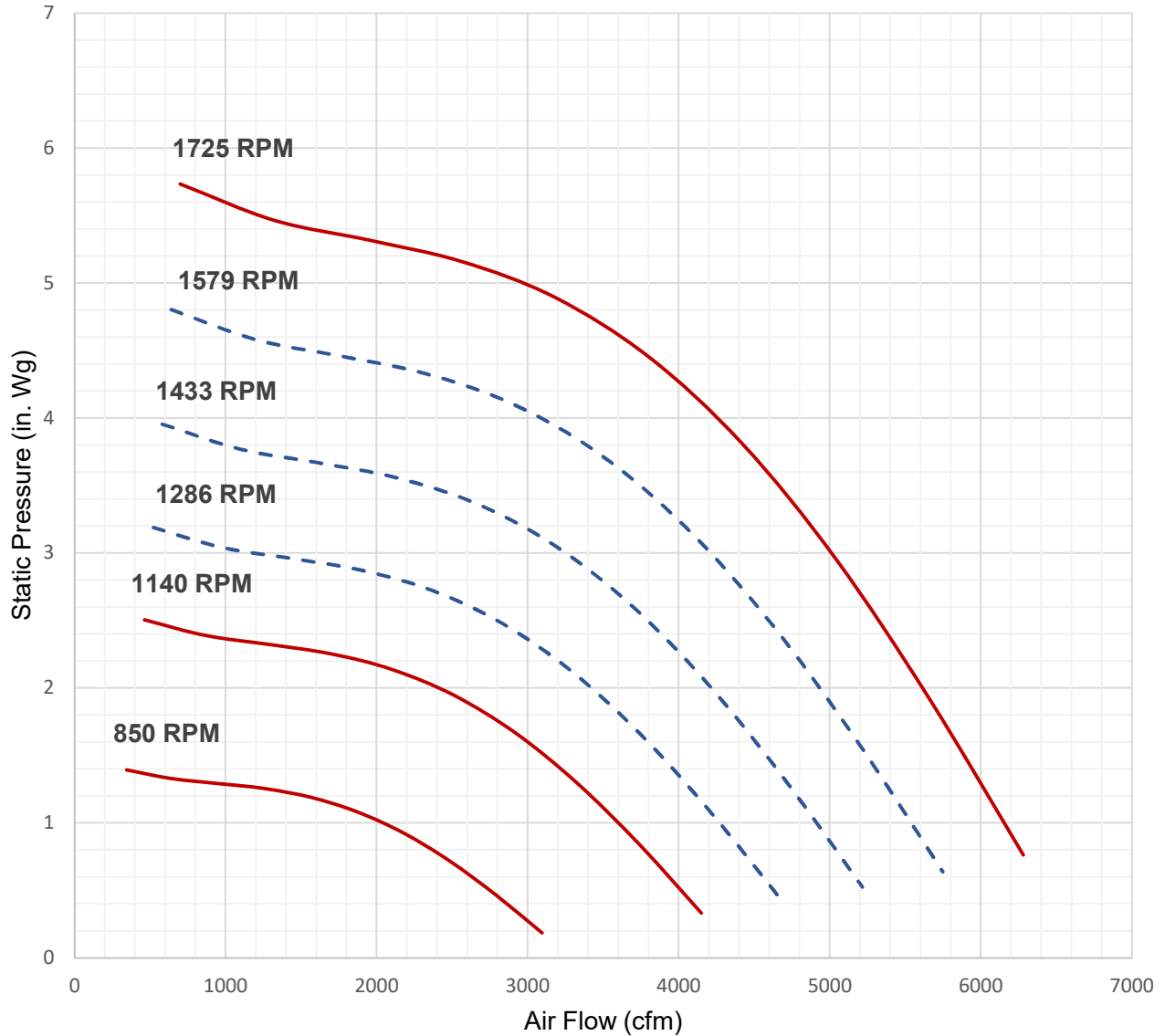
Model Number	Max. Flow (cfm)	Min. Flow (cfm)	Max. Static (in. Wg)	Min. Static (in. Wg)	Phase	Power (hp)	RPM	Voltage (V)	FLA	Weight (lb)
P35ST6P300	5000	500	2.4	0.4	Three Phase	3	1175	208-230/460	9.16-8.94/4.47	108.2
P35ST8P200	3730	500	1.4	0.4	Three Phase	2	870	208-230/460	7.59-7.23/3.61	91.3
P35ST4P1000	6400	500	5.45	0.4	Three Phase	10	1760	208-230/460	26.3-23.9/12.00	151.4
P35ST4P750	6400	500	5.45	0.4	Three Phase	7.5	1765	208-230/460	19.2-17.7/8.86	144.5
P35CT4P1000	6400	500	5.45	0.4	Three Phase	10	1760	575	9.55	151.4

Property rights to all drawings, details, representations, ideas, data, notes and specifications either copies or originals thereof that may be incorporated into the design and/or project are the property solely of Plastec ventilation, inc. Permission for any copies of said copyrighted materials, drawings, details, representations, ideas, data, notes and specifications either originals or copies thereof to be made, copied or altered by any person, business, or corporation may only be authorized with the expressed written permission of Plastec ventilation, inc. By the use of this data, the user acknowledges that he/she has read and understand all of the notes included herein.



PLASTEC 35

Performance Curve



— Standard RPM - - - Frequency Variation

Property rights to all drawings, details, representations, ideas, data, notes and specifications either copies or originals thereof that may be incorporated into the design and/or project are the property solely of Plastec ventilation, inc. Permission for any copies of said copyrighted materials, drawings, details, representations, ideas, data, notes and specifications either originals or copies thereof to be made, copied or altered by any person, business, or corporation may only be authorized with the expressed written permission of Plastec ventilation, inc. By the use of this data, the user acknowledges that he/she has read and understand all of the notes included herein.



PLASTEC 35

Acoustic Data

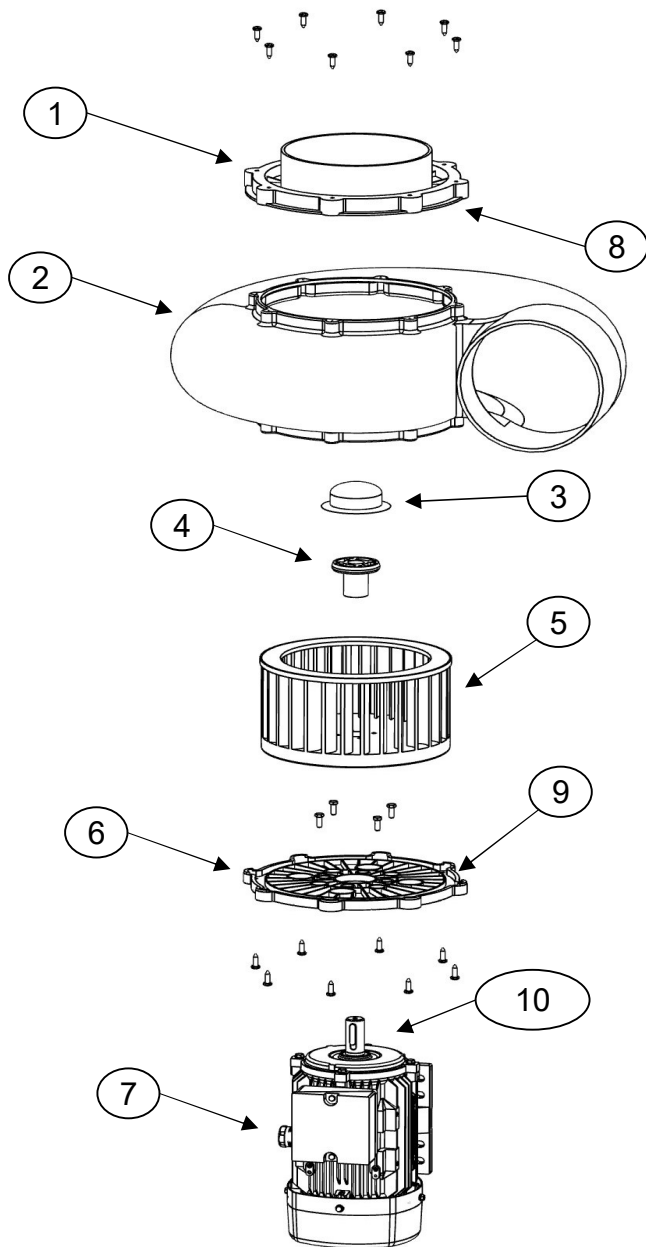
		Qv	Ps	Octave Band (Hz)								Lw	Lw(A)	Lp(A)
		(cfm)	(inwg)	63	125	250	500	1000	2000	4000	8000	dB	dB(A)	dB(A)
1725 RPM	Inlet 1	6499	0.01	85.9	91.4	83.1	86.5	86.3	87.1	84.2	79	99.7	97.0	95.0
	Inlet 2	5520	1.89	80.3	90.1	81.6	84.6	84.8	83.9	80.9	75.6	97.7	94.6	92.5
	Inlet 3	4112	3.99	75.9	90.8	82.3	81.8	81.8	80.4	76.7	70.7	96.2	91.7	89.6
	Inlet 4	2042	5.24	76.8	86.8	78.9	80.2	80.0	78.8	74.1	67.4	94.2	89.6	87.5
	Outlet 1	6499	0.01	91.8	101.8	91.7	88.0	88.3	90.7	86.5	79.4	106	100.0	97.9
	Outlet 2	5520	1.89	89.8	100.0	89	85.6	86.6	86.2	83.3	75.7	104	97.2	95.1
	Outlet 3	4112	3.99	86.1	100.7	85.9	83.4	84.3	82.9	79.5	71.5	103	94.4	92.3
	Outlet 4	2042	5.24	85.4	95.5	84.5	82.3	82.4	82.0	77.1	67.8	98.8	92.3	90.3
1140 RPM	Inlet 1	4295	0.01	76.9	82.4	74.1	77.5	77.3	78.1	75.2	70	90.7	88.0	86.0
	Inlet 2	3648	0.82	71.3	81.1	72.6	75.6	75.8	74.9	71.9	66.6	88.7	85.6	83.5
	Inlet 3	2717	1.74	66.9	81.8	73.3	72.8	72.9	71.4	67.7	61.8	87.2	82.7	80.6
	Inlet 4	1350	2.29	67.8	77.8	69.9	71.2	71.0	69.8	65.1	58.4	85.3	80.6	78.5
	Outlet 1	4295	0.01	82.8	92.8	82.7	79.0	79.4	81.7	77.5	70.4	96.6	91.0	88.9
	Outlet 2	3648	0.82	80.8	91.0	80	76.6	77.6	77.2	74.3	66.8	94.5	88.2	86.1
	Outlet 3	2717	1.74	77.1	91.7	76.9	74.4	75.3	73.9	70.6	62.5	93.9	85.4	83.3
	Outlet 4	1350	2.29	76.4	86.5	75.5	73.3	73.4	73.0	68.2	58.9	89.8	83.3	81.3
850 RPM	Inlet 1	3202	0.00	70.5	76.0	67.7	71.1	70.9	71.7	68.8	63.6	84.4	81.7	79.6
	Inlet 2	2720	0.46	64.9	74.8	66.2	69.2	69.4	68.5	65.5	60.3	82.3	79.2	77.1
	Inlet 3	2026	0.97	60.5	75.5	66.9	66.4	66.5	65.0	61.3	55.4	80.8	76.3	74.3
	Inlet 4	1006	1.27	61.4	71.4	63.6	64.8	64.6	63.4	58.7	52.1	78.9	74.2	72.2
	Outlet 1	3202	0.00	76.4	86.4	76.3	72.6	73.0	75.3	71.2	64	90.2	84.6	82.5
	Outlet 2	2720	0.46	74.4	84.7	73.7	70.3	71.2	70.8	67.9	60.4	88.2	81.8	79.7
	Outlet 3	2026	0.97	70.7	85.3	70.5	68.0	68.9	67.5	64.2	56.1	87.6	79.0	77.0
	Outlet 4	1006	1.27	70.0	80.1	69.1	66.9	67.0	66.6	61.8	52.5	83.4	76.9	74.9

Property rights to all drawings, details, representations, ideas, data, notes and specifications either copies or originals thereof that may be incorporated into the design and/or project are the property solely of Plastec ventilation, inc. Permission for any copies of said copyrighted materials, drawings, details, representations, ideas, data, notes and specifications either originals or copies thereof to be made, copied or altered by any person, business, or corporation may only be authorized with the expressed written permission of Plastec ventilation, inc. By the use of this data, the user acknowledges that he/she has read and understand all of the notes included herein.



PLASTEC 35

Expanded View



1	Inlet Flange
2	Housing
3	Hub Cap
4	Hub
5	Impeller
6	Motor Plate
7	Motor
8	Inlet Gasket
9	Motor Plate Seal
10	Shaft Key

Property rights to all drawings, details, representations, ideas, data, notes and specifications either copies or originals thereof that may be incorporated into the design and/or project are the property solely of Plastec ventilation, inc. Permission for any copies of said copyrighted materials, drawings, details, representations, ideas, data, notes and specifications either originals or copies thereof to be made, copied or altered by any person, business, or corporation may only be authorized with the expressed written permission of Plastec ventilation, inc. By the use of this data, the user acknowledges that he/she has read and understand all of the notes included herein.