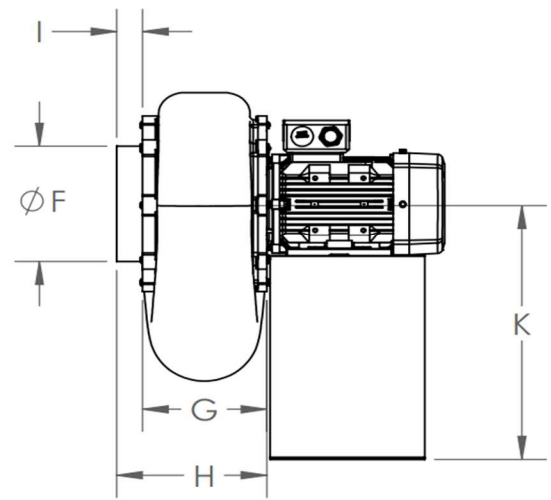
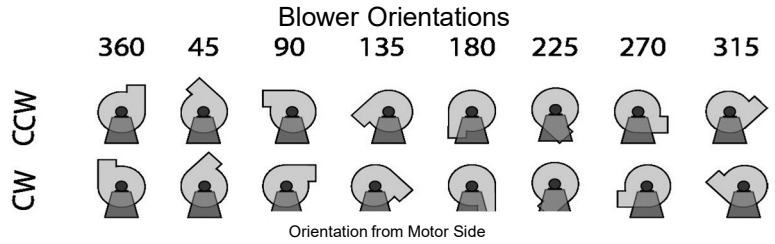
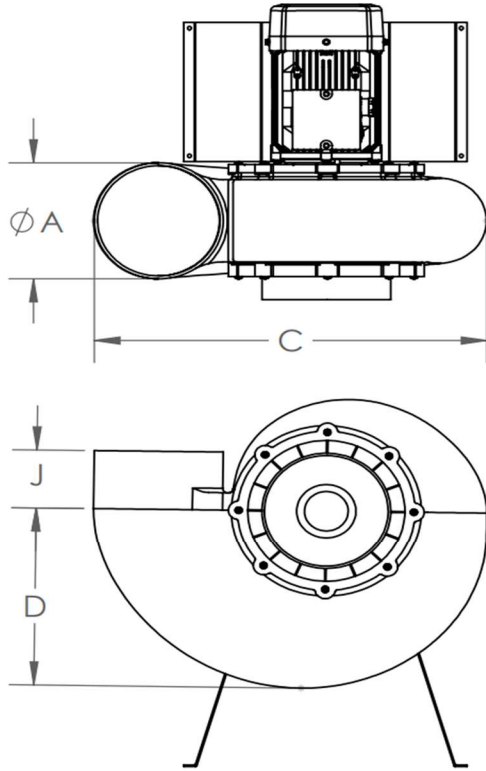




# PLASTEC 30



### Mechanical Data

	ØA (OD)	C	D	ØF (OD)	G	H	I	J
in	9.83	29.20	14.66	9.83	8.8	9.97	1.22	4.17
mm	250	743	373	250	223	253.8	31	106

### Motor Height (K)

	0.75 Hp	1.5 Hp
in	17.34	17.34
mm	441	441

<b>Project Name</b>	
<b>Date</b>	
<b>Engineer/Sales Rep</b>	
<b>Client</b>	
<b>Contractor</b>	

Property rights to all drawings, details, representations, ideas, data, notes and specifications either copies or originals thereof that may be incorporated into the design and/or project are the property solely of Plastec ventilation, inc. Permission for any copies of said copyrighted materials, drawings, details, representations, ideas, data, notes and specifications either originals or copies thereof to be made, copied or altered by any person, business, or corporation may only be authorized with the expressed written permission of Plastec ventilation, inc. By the use of this data, the user acknowledges that he/she has read and understand all of the notes included herein.



# PLASTEC 30

## Model Numbers

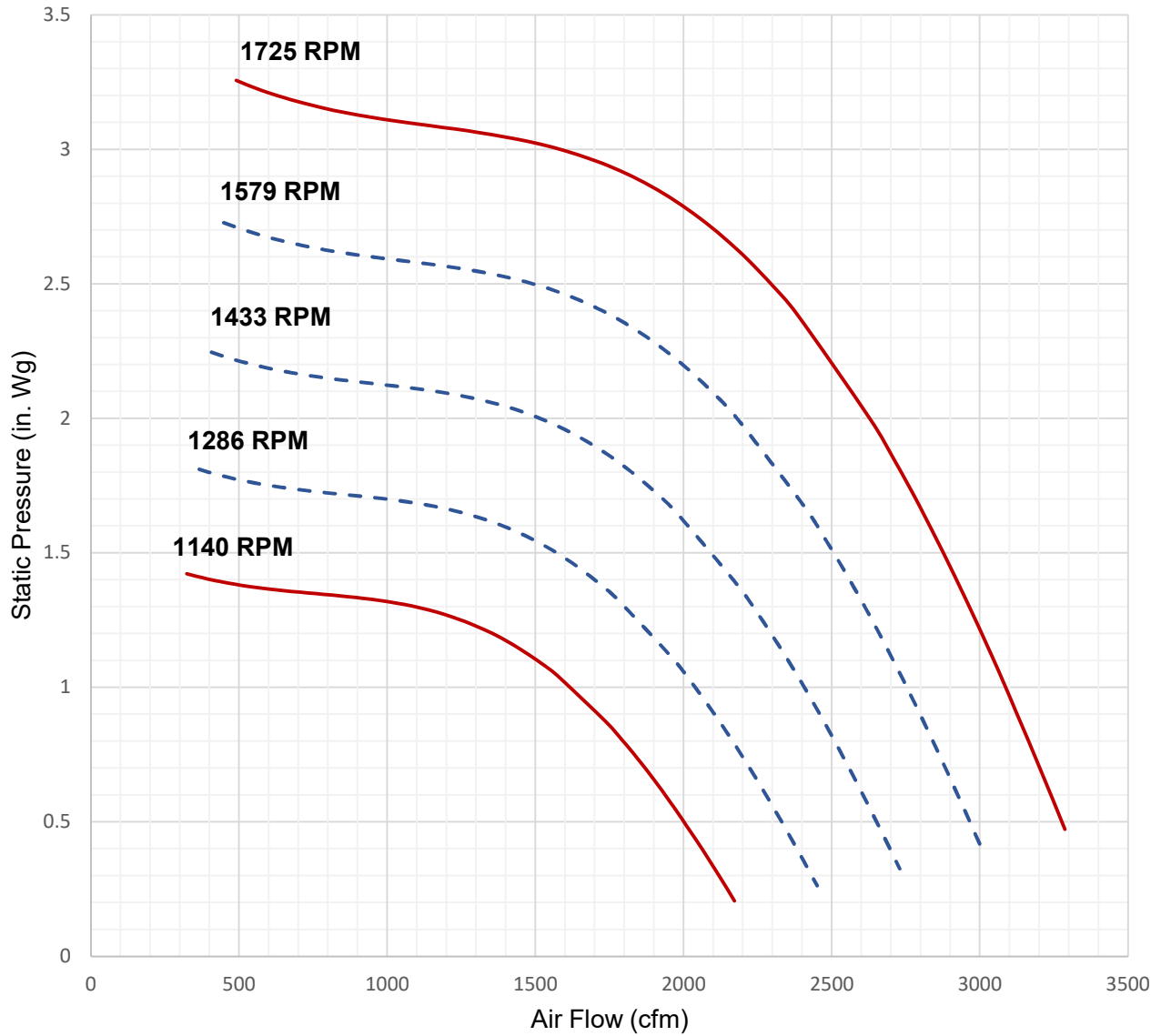
Model Number	Max. Flow (cfm)	Min. Flow (cfm)	Max. Static (in. Wg)	Min. Static (in. Wg)	Phase	Power (hp)	RPM	Voltage (V)	FLA	Weight (lb)
P30XS6P075	2200	270	1.36	0.3	Single Phase	0.75	1130	115/208-230	8.6/3.8	14.7
P30XT6P075	2200	270	1.36	0.3	Three Phase	0.75	1150	208-230/460	2.68/1.61	14.7
P30XT4P150	3400	270	3.1	0.3	Three Phase	1.5	1750	208-230/460	4.45/2.31	53.2
P30XS4P150	3400	270	3.1	0.3	Single Phase	1.5	1690	115/208-230	13.1/8.75	58.7

Property rights to all drawings, details, representations, ideas, data, notes and specifications either copies or originals thereof that may be incorporated into the design and/or project are the property solely of Plastec ventilation, inc. Permission for any copies of said copyrighted materials, drawings, details, representations, ideas, data, notes and specifications either originals or copies thereof to be made, copied or altered by any person, business, or corporation may only be authorized with the expressed written permission of Plastec ventilation, inc. By the use of this data, the user acknowledges that he/she has read and understand all of the notes included herein.



# PLASTEC 30

## Performance Curve



— Standard RPM      - - - Frequency Variation

Property rights to all drawings, details, representations, ideas, data, notes and specifications either copies or originals thereof that may be incorporated into the design and/or project are the property solely of Plastec ventilation, inc. Permission for any copies of said copyrighted materials, drawings, details, representations, ideas, data, notes and specifications either originals or copies thereof to be made, copied or altered by any person, business, or corporation may only be authorized with the expressed written permission of Plastec ventilation, inc. By the use of this data, the user acknowledges that he/she has read and understand all of the notes included herein.



# PLASTEC 30

## Acoustic Data

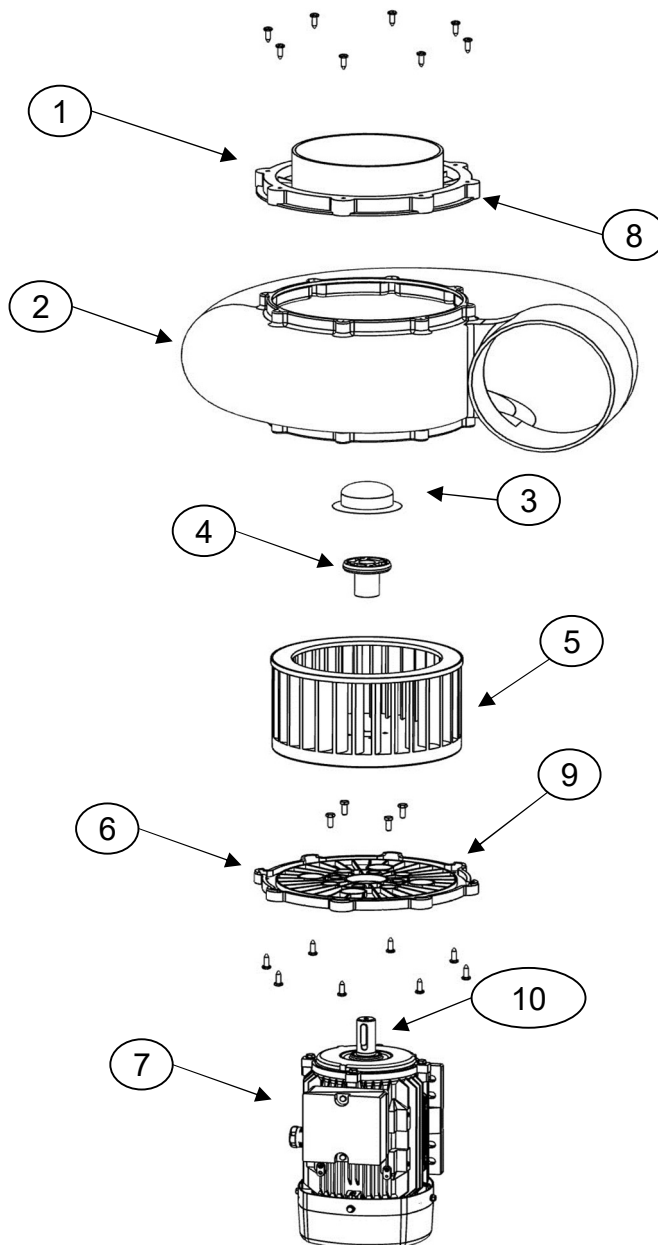
		Qv	Ps	Octave Band (Hz)								Lw	Lw(A)	Lp(A)
		(cfm)	(inwg)	63	125	250	500	1000	2000	4000	8000	dB	dB(A)	dB(A)
1725 RPM	Inlet 1	3191	0.52	75.7	79.7	80.3	78.8	77.6	74.0	71.6	65.9	92.2	87.4	85.4
	Inlet 2	2596	1.86	72.6	76.9	77.7	76.7	75.7	71.7	68.3	62.6	89.9	85.2	83.2
	Inlet 3	1732	2.84	75.4	75.5	73.5	74.2	74.0	70.7	65.9	60.4	88.5	83.4	81.3
	Inlet 4	615	3.17	69.3	71.7	72.1	73.6	72.8	70.0	63.8	59.3	86.4	82.3	80.3
	Outlet 1	3191	0.52	86.8	85.8	89.5	84.0	81.0	75.2	74.8	68	97.8	91.2	89.2
	Outlet 2	2596	1.86	84.0	83.7	89.1	81.6	78.7	72.3	71.3	64.9	95.8	88.8	86.7
	Outlet 3	1732	2.84	86.9	81.9	81.5	78.2	75.9	71.4	68.9	62.8	93.7	86.1	84.1
	Outlet 4	615	3.17	79.5	75.9	78.7	76.3	74.4	71.4	66.7	62	89.8	84.3	82.3
1140 RPM	Inlet 1	2109	0.23	66.7	70.7	71.3	69.8	68.6	65.0	62.6	56.9	83.2	78.4	76.4
	Inlet 2	1716	0.81	63.6	67.9	68.7	67.7	66.7	62.7	59.3	53.6	80.9	76.2	74.2
	Inlet 3	1145	1.24	66.4	66.5	64.5	65.2	65.0	61.7	56.9	51.4	79.5	74.4	72.3
	Inlet 4	407	1.38	60.3	62.7	63.1	64.6	63.8	61.0	54.8	50.3	77.4	73.4	71.3
	Outlet 1	2109	0.23	77.8	76.8	80.5	75.0	72.0	66.2	65.8	59	88.8	82.3	80.2
	Outlet 2	1716	0.81	75.0	74.7	80.1	72.7	69.7	63.3	62.3	55.9	86.8	79.8	77.7
	Outlet 3	1145	1.24	77.9	72.9	72.5	69.2	66.9	62.4	59.9	53.8	84.7	77.1	75.1
	Outlet 4	407	1.38	70.5	66.9	69.7	67.3	65.4	62.4	57.7	53	80.8	75.3	73.3

Property rights to all drawings, details, representations, ideas, data, notes and specifications either copies or originals thereof that may be incorporated into the design and/or project are the property solely of Plastec ventilation, inc. Permission for any copies of said copyrighted materials, drawings, details, representations, ideas, data, notes and specifications either originals or copies thereof to be made, copied or altered by any person, business, or corporation may only be authorized with the expressed written permission of Plastec ventilation, inc. By the use of this data, the user acknowledges that he/she has read and understand all of the notes included herein.



# PLASTEC 30

## Expanded View



1	Inlet Flange
2	Housing
3	Hub Cap
4	Hub
5	Impeller
6	Motor Plate
7	Motor
8	Inlet Gasket
9	Motor Plate Seal
10	Shaft Key

Property rights to all drawings, details, representations, ideas, data, notes and specifications either copies or originals thereof that may be incorporated into the design and/or project are the property solely of Plastec ventilation, inc. Permission for any copies of said copyrighted materials, drawings, details, representations, ideas, data, notes and specifications either originals or copies thereof to be made, copied or altered by any person, business, or corporation may only be authorized with the expressed written permission of Plastec ventilation, inc. By the use of this data, the user acknowledges that he/she has read and understand all of the notes included herein.