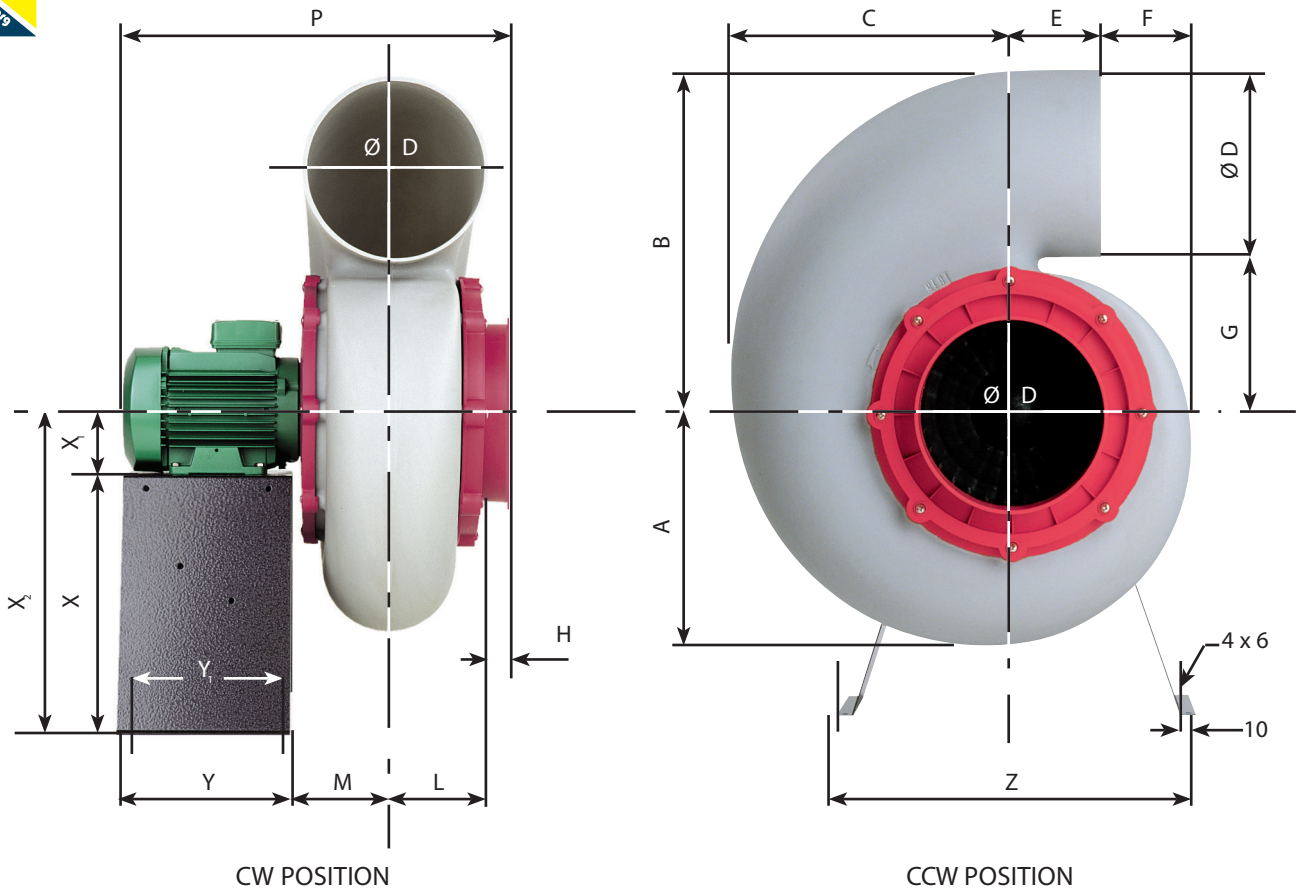


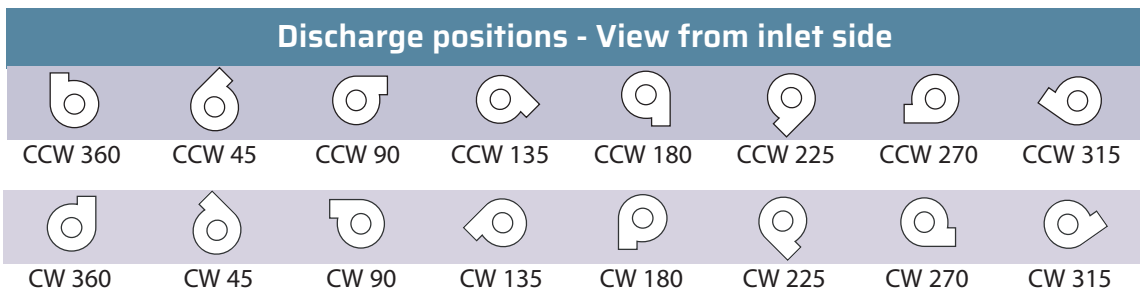


PLASTEC 25

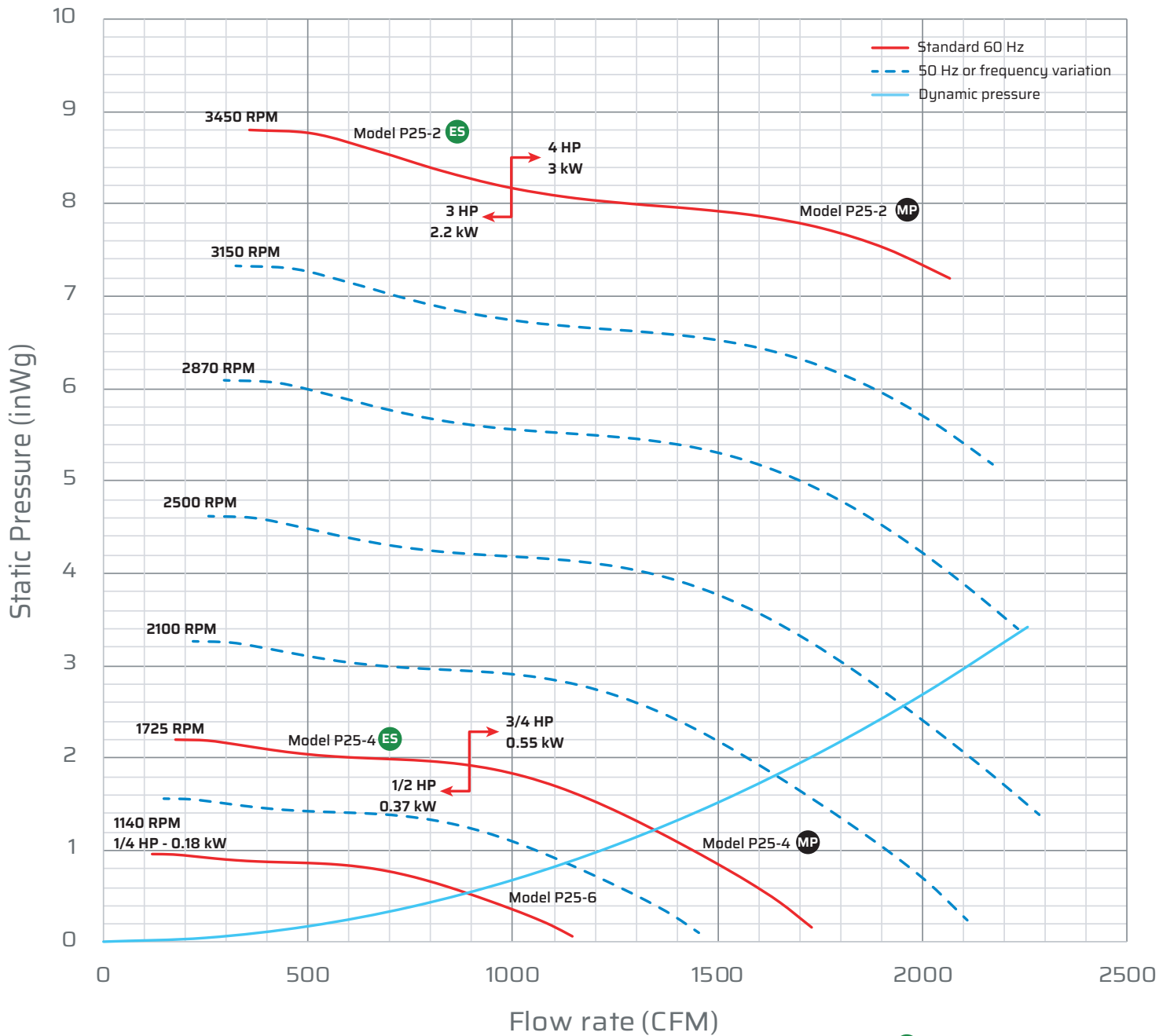


* Pictures and dimensions non-contractual

Dimensional data																
Metal stand is optional - Motor size may vary upon model																
A	B	C	Ø D	E	F	G	H	L	M	P	Y	Y ₁	Z	X	X ₁	X ₂
9.76	14.37	12.20	7.87	4.06	3.62	6.50	1.38	3.74	4.13	20.28	7.09	6.30	16.54	11.81	3.54	15.35



PLASTEC 25



ES Energy saving model

MP Maximum power model

Inlet sound

RPM	Q _v (CFM)	SP (inWg)	LwA dB(A)	LpA * dB(A)	Octave band (Hz)							
					63	125	250	500	1000	2000	4000	8000
1725	930	1.82	81	61	104	85	85	79	73	65	62	56
3450	1860	7.31	96	76	119	100	100	94	88	80	77	72

* Acoustic pressure Lp at 10 feet - Outlet acoustic data available on request