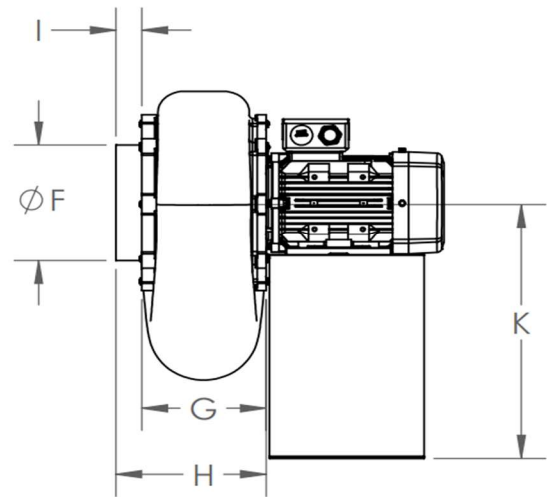
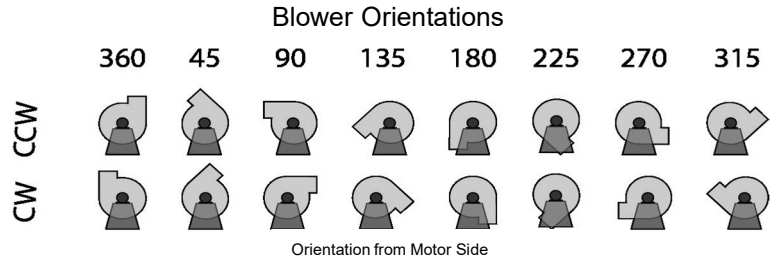
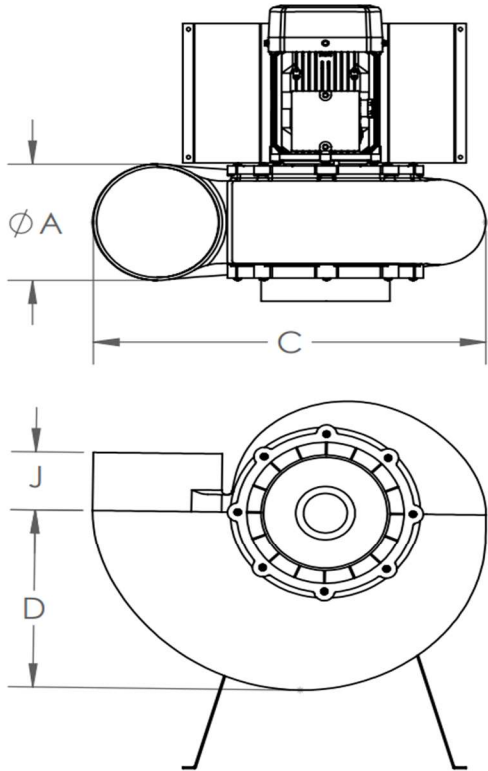




PLASTEC 25



Blower shown with Optional Motor Support Stand

Mechanical Data

	ØA (OD)	C	D	ØF (OD)	G	H	I	J
in	7.86	23.99	12.03	7.86	7.58	9.16	1.57	3.93
mm	200	610.5	306	200	193	233	40	100

Motor Height (K)

	0.33 Hp	0.50 Hp 0.75 Hp	3 Hp 4 Hp
in	14.59	14.94	17.24
mm	371	380	439

Project Name	
Date	
Engineer/Sales Rep	
Client	
Contractor	

Property rights to all drawings, details, representations, ideas, data, notes and specifications either copies or originals thereof that may be incorporated into the design and/or project are the property solely of Plastec ventilation, inc. Permission for any copies of said copyrighted materials, drawings, details, representations, ideas, data, notes and specifications either originals or copies thereof to be made, copied or altered by any person, business, or corporation may only be authorized with the expressed written permission of Plastec ventilation, inc. By the use of this data, the user acknowledges that he/she has read and understand all of the notes included herein.



PLASTEC 25

Model Numbers

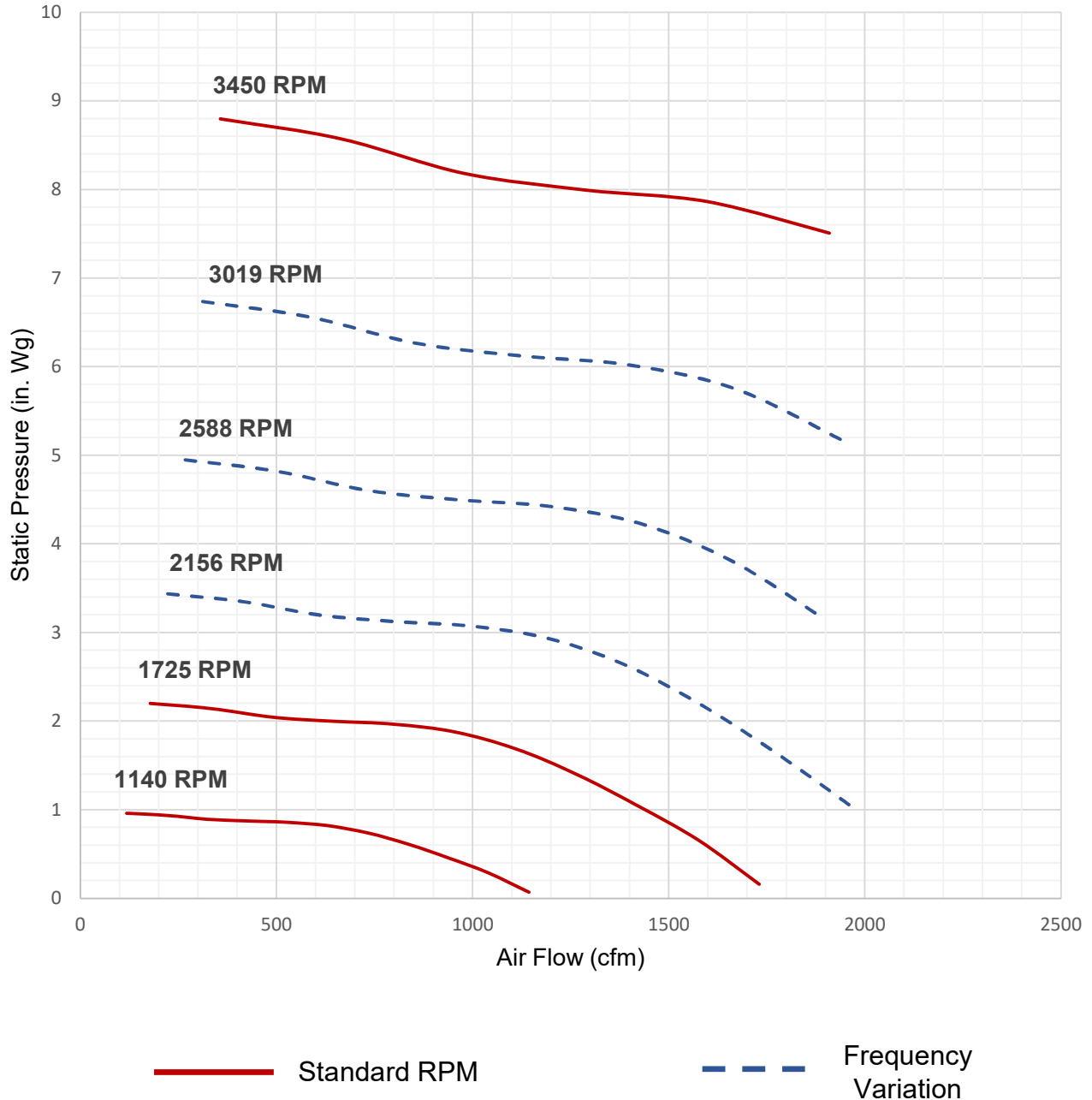
Model Number	Max. Flow (cfm)	Min. Flow (cfm)	Max. Static (in. Wg)	Min. Static (in. Wg)	Phase	Power (hp)	RPM	Voltage (V)	FLA	Weight (lb)
P25XS6P033	1120	100	0.88	0.25	Single Phase	0.33	1160	115/208-230	3.8/2.7	38.3
P25XS4P050	1700	100	2	0.25	Single Phase	0.5	1720	115/208-230	5.9/2.9	35.0
P25XS4P075	1700	100	2	0.25	Single Phase	0.75	1740	115/208-230	7.2/4.3	39.4
P25XT2P300	2100	100	8	0.25	Three Phase	3	3520	208-230/460	7.5/4.19	53.7
P25XT4P075	1700	100	2	0.25	Three Phase	0.75	1730	208-230/460	2.35/1.29	39.4
P25XT2P400	2100	100	8	0.25	Three Phase	4	3520	208-230/460	10.2/5.3	80.1
P25XT4P050	1700	100	2	0.25	Three Phase	0.5	1720	208-230/460	1.64/0.89	37.2

Property rights to all drawings, details, representations, ideas, data, notes and specifications either copies or originals thereof that may be incorporated into the design and/or project are the property solely of Plastec ventilation, inc. Permission for any copies of said copyrighted materials, drawings, details, representations, ideas, data, notes and specifications either originals or copies thereof to be made, copied or altered by any person, business, or corporation may only be authorized with the expressed written permission of Plastec ventilation, inc. By the use of this data, the user acknowledges that he/she has read and understand all of the notes included herein.



PLASTEC 25

Performance Curve



Property rights to all drawings, details, representations, ideas, data, notes and specifications either copies or originals thereof that may be incorporated into the design and/or project are the property solely of Plastec ventilation, inc. Permission for any copies of said copyrighted materials, drawings, details, representations, ideas, data, notes and specifications either originals or copies thereof to be made, copied or altered by any person, business, or corporation may only be authorized with the expressed written permission of Plastec ventilation, inc. By the use of this data, the user acknowledges that he/she has read and understand all of the notes included herein.



PLASTEC 25

Acoustic Data

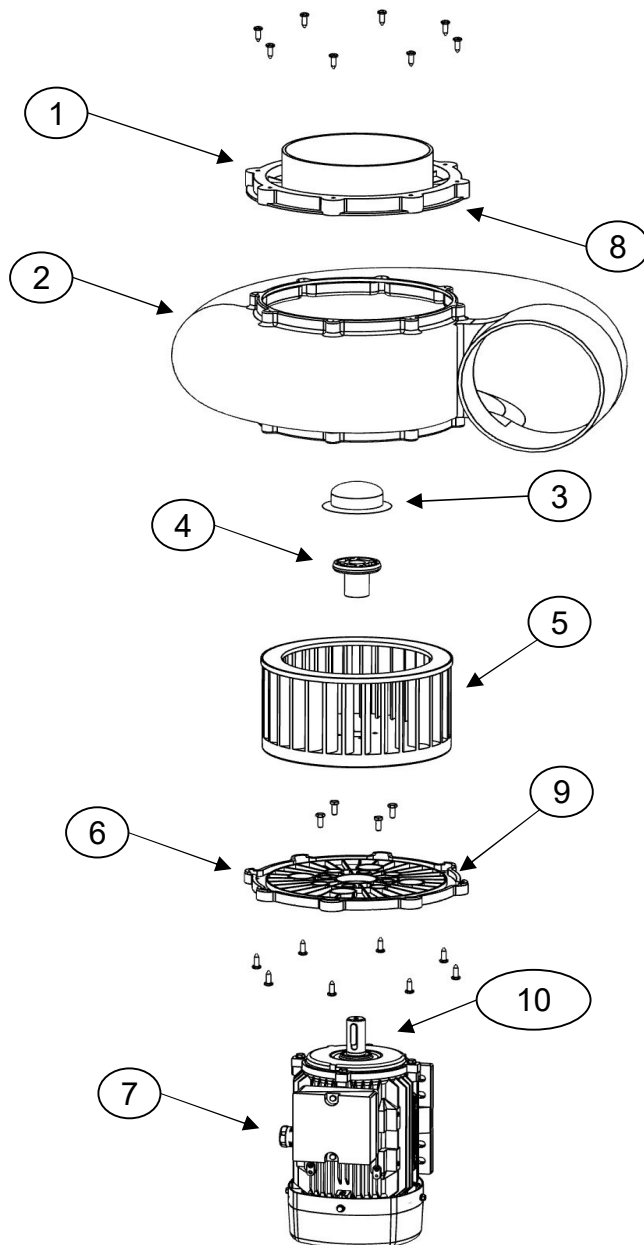
		Qv	Ps	Octave Band (Hz)								Lw	Lw(A)	Lp(A)
		(cfm)	(inwg)	63	125	250	500	1000	2000	4000	8000	dB	dB(A)	dB(A)
3450 RPM	Inlet 1	3458	0.00	96.2	90.6	87.4	90.3	87.4	80.1	78.2	72.8	103	97.0	94.9
	Inlet 2	3076	2.45	95.1	89.1	86.4	88.8	85.6	78.0	76.1	70.9	102	95.6	93.6
	Inlet 3	1858	7.31	97.3	84.4	82.7	85.1	81.4	75.1	72.6	66.6	101	91.8	89.7
	Inlet 4	919	8.09	95.4	85.3	83.6	83.2	80.6	74.4	70.7	65.2	99.7	91.2	89.2
	Outlet 1	3458	0.00	101.1	98.2	95.8	94.1	90.6	83.0	81.2	74.4	108	101.4	99.3
	Outlet 2	3076	2.45	100.2	96.5	94.1	92.5	88.6	81.0	79.4	72.6	107	99.9	97.9
	Outlet 3	1858	7.31	103.2	92.0	87	89.8	83.2	78.2	76.6	68.9	105	95.0	92.9
	Outlet 4	919	8.09	101.2	91.8	85	88.1	82.0	77.6	74.1	67	103	93.4	91.4
1725 RPM	Inlet 1	1729	0.00	81.1	75.5	72.3	75.3	72.4	65.1	63.1	57.8	88.1	81.9	79.9
	Inlet 2	1538	0.61	80.0	74.1	71.4	73.8	70.6	63.0	61.1	55.8	87	80.6	78.5
	Inlet 3	929	1.83	82.2	69.3	67.6	70.1	66.3	60.1	57.6	51.6	86	76.7	74.6
	Inlet 4	460	2.02	80.3	70.3	68.6	68.1	65.6	59.3	55.7	50.2	84.6	76.2	74.1
	Outlet 1	1729	0.00	86.1	83.2	80.8	79.0	75.6	67.9	66.1	59.3	93.4	86.3	84.3
	Outlet 2	1538	0.61	85.2	81.4	79.1	77.5	73.6	65.9	64.3	57.5	92.1	84.9	82.8
	Outlet 3	929	1.83	88.1	76.9	71.9	74.8	68.1	63.2	61.5	53.8	90.3	79.9	77.9
	Outlet 4	460	2.02	86.2	76.7	69.9	73.1	67.0	62.6	59.1	52	88.4	78.4	76.3
1140 RPM	Inlet 1	1143	0.00	72.1	66.6	63.3	66.3	63.4	56.1	54.1	48.8	79.1	73.0	70.9
	Inlet 2	1016	0.27	71.0	65.1	62.4	64.8	61.6	54.0	52.1	46.8	78	71.6	69.5
	Inlet 3	614	0.80	73.3	60.3	58.6	61.1	57.3	51.1	48.6	42.6	77	67.7	65.7
	Inlet 4	304	0.88	71.3	61.3	59.6	59.1	56.6	50.3	46.7	41.2	75.6	67.2	65.1
	Outlet 1	1143	0.00	77.1	74.2	71.8	70.0	66.6	58.9	57.2	50.3	84.4	77.3	75.3
	Outlet 2	1016	0.27	76.2	72.4	70.1	68.5	64.6	56.9	55.3	48.6	83.1	75.9	73.8
	Outlet 3	614	0.80	79.1	67.9	62.9	65.8	59.1	54.2	52.5	44.8	81.3	70.9	68.9
	Outlet 4	304	0.88	77.2	67.7	60.9	64.1	58.0	53.6	50.1	43	79.4	69.4	67.3

Property rights to all drawings, details, representations, ideas, data, notes and specifications either copies or originals thereof that may be incorporated into the design and/or project are the property solely of Plastec ventilation, inc. Permission for any copies of said copyrighted materials, drawings, details, representations, ideas, data, notes and specifications either originals or copies thereof to be made, copied or altered by any person, business, or corporation may only be authorized with the expressed written permission of Plastec ventilation, inc. By the use of this data, the user acknowledges that he/she has read and understand all of the notes included herein.



PLASTEC 25

Expanded View



1	Inlet Flange
2	Housing
3	Hub Cap
4	Hub
5	Impeller
6	Motor Plate
7	Motor
8	Inlet Gasket
9	Motor Plate Seal
10	Shaft Key

Property rights to all drawings, details, representations, ideas, data, notes and specifications either copies or originals thereof that may be incorporated into the design and/or project are the property solely of Plastec ventilation, inc. Permission for any copies of said copyrighted materials, drawings, details, representations, ideas, data, notes and specifications either originals or copies thereof to be made, copied or altered by any person, business, or corporation may only be authorized with the expressed written permission of Plastec ventilation, inc. By the use of this data, the user acknowledges that he/she has read and understand all of the notes included herein.