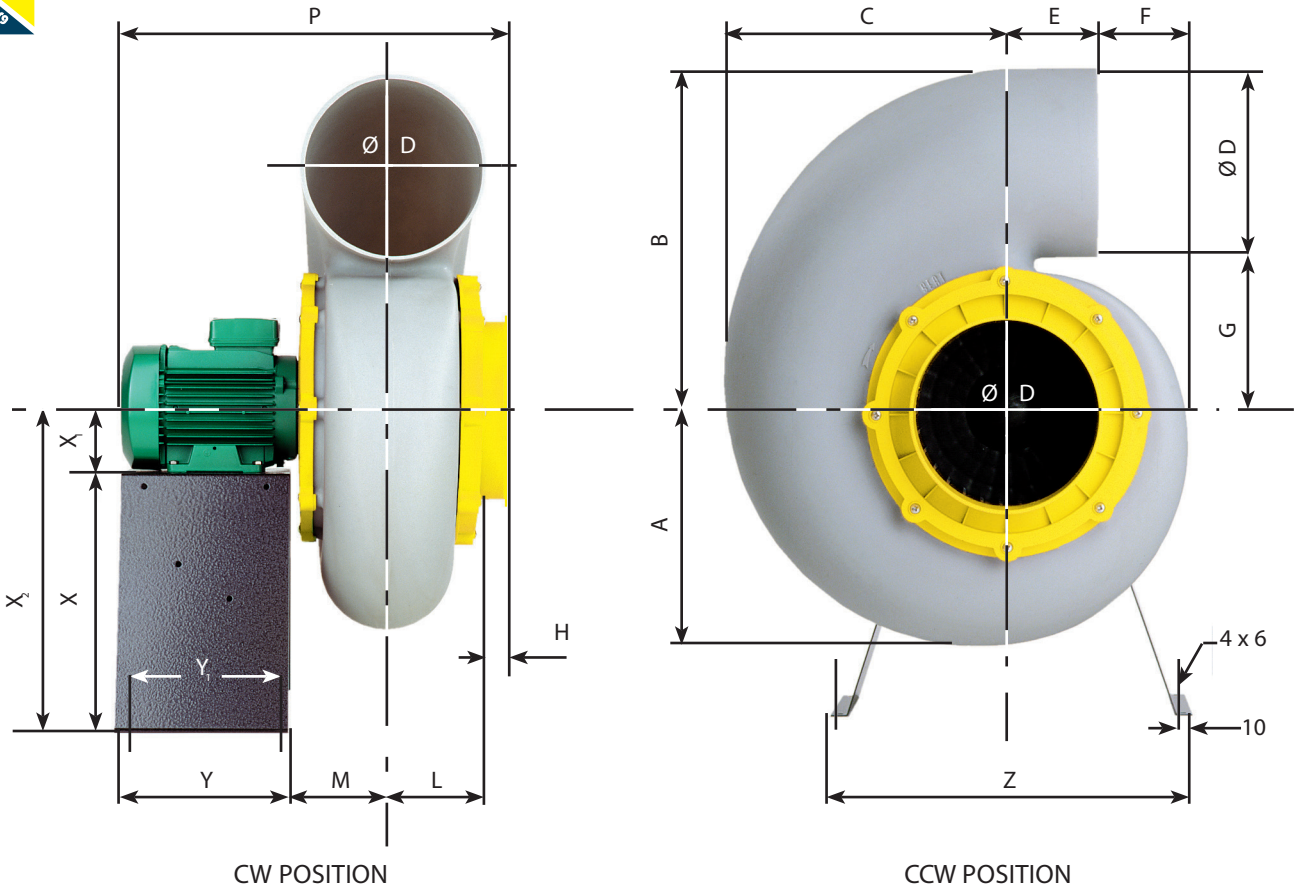


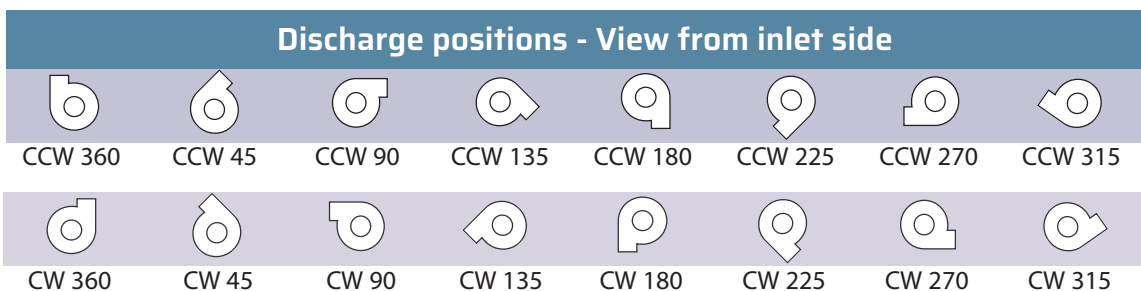


PLASTEC 20

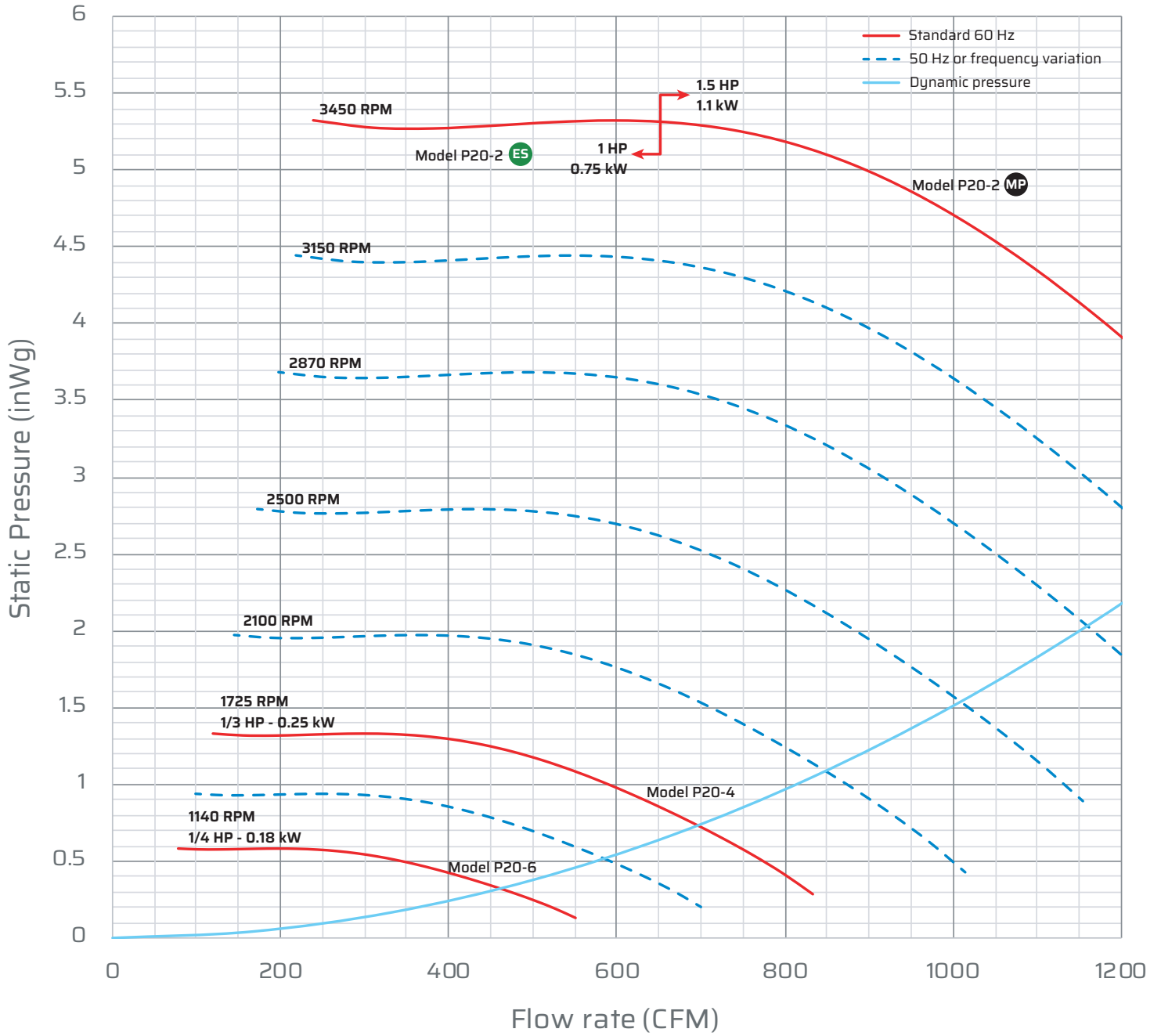


* Pictures and dimensions non-contractual

Dimensional data																
Metal stand is optional - Motor size may vary upon model																
A	B	C	ØD	E	F	G	H	L	M	P	Y	Y ₁	Z	X	X ₁	X ₂
8.19	11.93	9.45	6.30	3.94	2.24	5.63	1.26	3.31	3.70	15.35	7.09	6.30	13.39	9.45	2.80	12.24



PLASTEC 20



ES Energy saving model
MP Maximum power model

Inlet sound

RPM	Q _v (CFM)	SP (inWg)	LwA dB(A)	LpA * dB(A)	Octave band (Hz)							
					63	125	250	500	1000	2000	4000	8000
1725	531	1	80	59	97	79	84	77	70	59	56	50
3450	1060	4.2	95	74	112	95	99	92	85	74	71	65

* Acoustic pressure Lp at 10 feet - Outlet acoustic data available on request