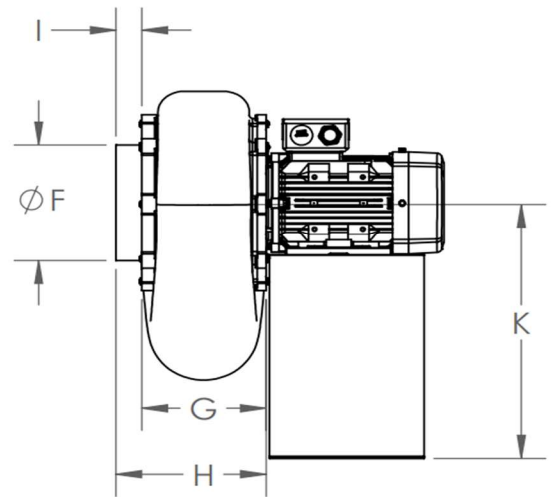
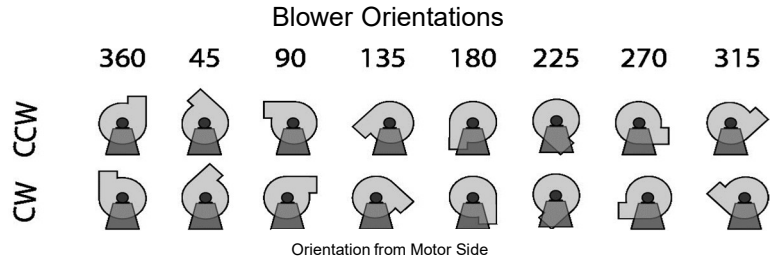
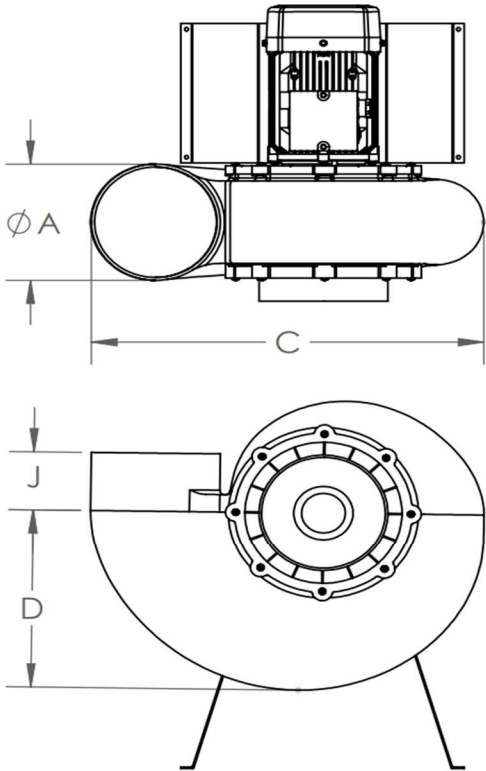




# PLASTEC 20



Blower shown with Optional Motor Support Stand

### Mechanical Data

	ØA (OD)	C	D	ØF (OD)	G	H	I	J
in	6.29	20.08	9.43	6.29	6.52	7.74	1.22	3.93
mm	160	511	240	160	166	197	31	100

### Motor Height (K)

	0.33 Hp	1 Hp	1.5 Hp
in	12.54	14.94	14.94
mm	319	380	380

<b>Project Name</b>	
<b>Date</b>	
<b>Engineer/Sales Rep</b>	
<b>Client</b>	
<b>Contractor</b>	

Property rights to all drawings, details, representations, ideas, data, notes and specifications either copies or originals thereof that may be incorporated into the design and/or project are the property solely of Plastec ventilation, inc. Permission for any copies of said copyrighted materials, drawings, details, representations, ideas, data, notes and specifications either originals or copies thereof to be made, copied or altered by any person, business, or corporation may only be authorized with the expressed written permission of Plastec ventilation, inc. By the use of this data, the user acknowledges that he/she has read and understand all of the notes included herein.



# PLASTEC 20

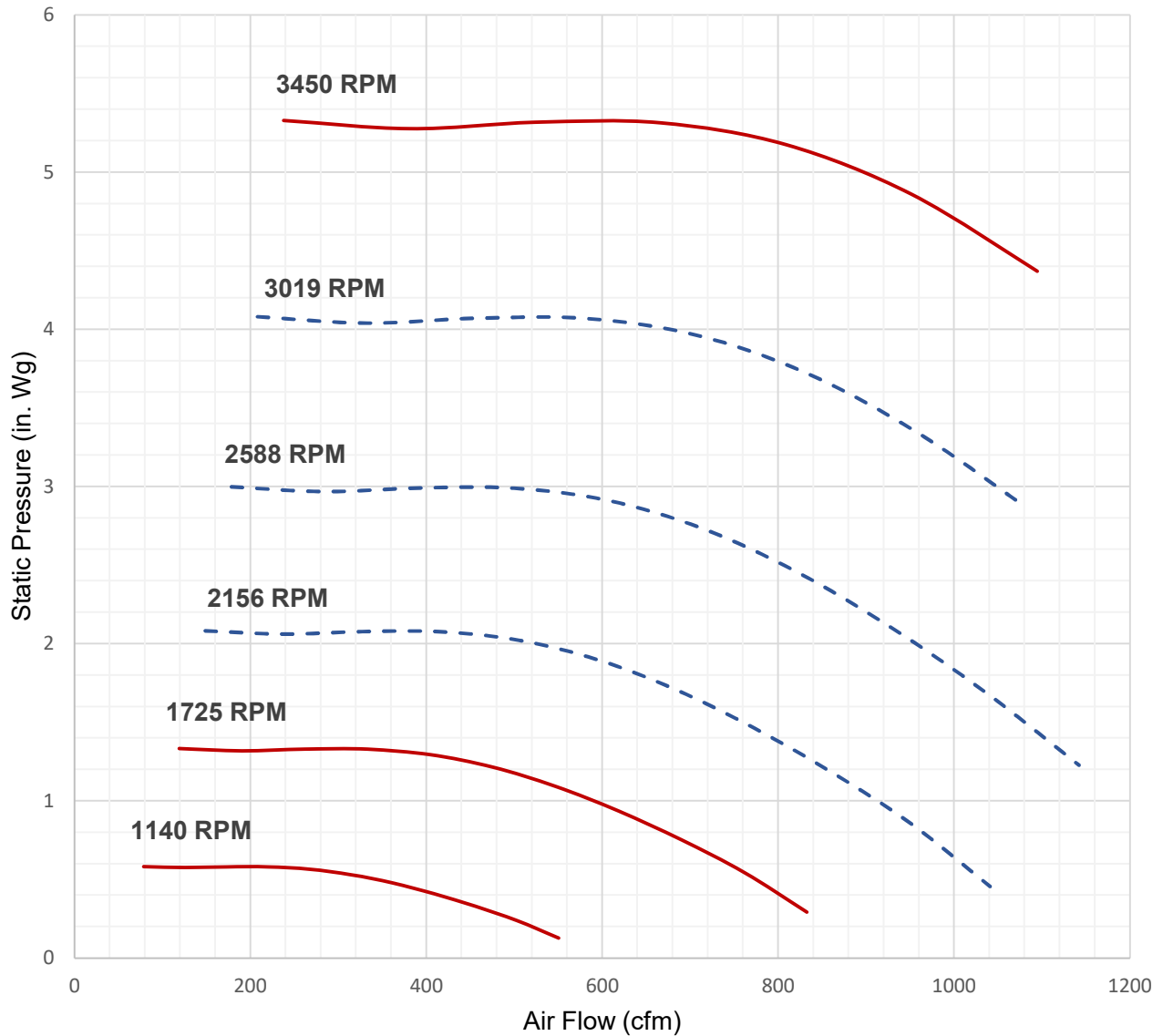
## Model Numbers

Model Number	Max. Flow (cfm)	Min. Flow (cfm)	Max. Static (in. Wg)	Min. Static (in. Wg)	Phase	Power (hp)	RPM	Voltage (V)	FLA	Weight (lb)
P20XS2P100	765	30	5.8	0.15	Single Phase	1	3450	115/208-230	9.3/5.3	37.4
P20XS6P033	610	30	0.63	0.15	Single Phase	0.33	1160	115/208-230	3.8/2.7	34.1
P20XS2P150	1200	30	5.8	0.15	Single Phase	1.5	3510	115/208-230	13.1/8.75	6.6
P20XS4P033	910	30	1.44	0.15	Single Phase	0.33	1760	115/208-230	4.6/2.3	31.9
P20XT2P100	765	30	5.8	0.15	Three Phase	1	3490	208-230/460	2.78/1.46	34.1
P20XT4P033	910	30	1.44	0.15	Three Phase	0.33	1715	208-230/460	1.18/0.62	33.0
P20XT2P150	1200	30	5.8	0.15	Three Phase	1.5	3510	208-230/460	3.9/2.02	6.6

Property rights to all drawings, details, representations, ideas, data, notes and specifications either copies or originals thereof that may be incorporated into the design and/or project are the property solely of Plastec ventilation, inc. Permission for any copies of said copyrighted materials, drawings, details, representations, ideas, data, notes and specifications either originals or copies thereof to be made, copied or altered by any person, business, or corporation may only be authorized with the expressed written permission of Plastec ventilation, inc. By the use of this data, the user acknowledges that he/she has read and understand all of the notes included herein.



## Performance Curve



— Standard RPM

- - - Frequency Variation

Property rights to all drawings, details, representations, ideas, data, notes and specifications either copies or originals thereof that may be incorporated into the design and/or project are the property solely of Plastec ventilation, inc. Permission for any copies of said copyrighted materials, drawings, details, representations, ideas, data, notes and specifications either originals or copies thereof to be made, copied or altered by any person, business, or corporation may only be authorized with the expressed written permission of Plastec ventilation, inc. By the use of this data, the user acknowledges that he/she has read and understand all of the notes included herein.



# PLASTEC 20

## Acoustic Data

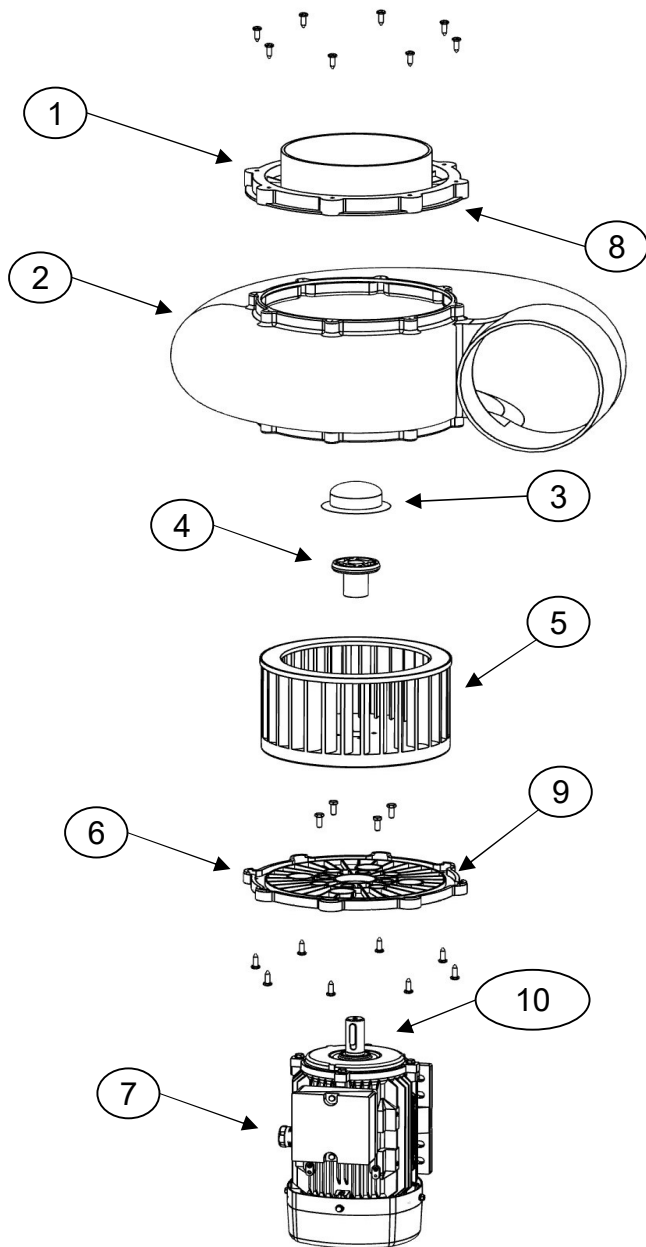
		Qv	Ps	Octave Band (Hz)								Lw	Lw(A)	Lp(A)
		(cfm)	(inwg)	63	125	250	500	1000	2000	4000	8000	dB	dB(A)	dB(A)
3450 RPM	Inlet 1	1741	0.01	97.2	75.1	88.6	85.2	86.8	77.6	76.0	69.4	101	94.1	92.0
	Inlet 2	1440	2.32	94.8	70.1	85.7	82.7	81.4	73.6	72.0	65.1	98.5	90.8	88.8
	Inlet 3	1061	4.26	91.1	65.5	82.3	82.1	77.5	70.0	67.8	60.2	95.9	89.3	87.2
	Inlet 4	624	5.23	93.6	65.4	80.4	79.5	74.4	67.5	64.5	55.9	97.5	88.6	86.6
	Outlet 1	1741	0.01	94.3	88.3	96.2	90.4	85.9	79.7	77.2	70.6	102	96.3	94.2
	Outlet 2	1440	2.32	92.7	85.1	93.2	88.4	81.4	75.5	73.6	66.7	99.6	93.3	91.2
	Outlet 3	1061	4.26	89.8	81.1	89.3	85.0	77.5	71.8	70.1	62.4	96.1	89.7	87.6
	Outlet 4	624	5.23	91.3	78.5	85.8	83.1	73.9	68.6	66.2	57.6	96.4	89.6	87.5
1725 RPM	Inlet 1	871	0.00	82.1	60.1	73.6	70.2	71.7	62.6	60.9	54.3	85.9	79.0	77.0
	Inlet 2	720	0.58	79.7	55.1	70.6	67.6	66.3	58.5	57.0	50	83.4	75.8	73.7
	Inlet 3	531	1.06	76.0	50.4	67.3	67.1	62.5	55.0	52.8	45.2	80.9	74.2	72.1
	Inlet 4	312	1.31	78.6	50.3	65.3	64.5	59.4	52.5	49.5	40.8	82.4	73.6	71.5
	Outlet 1	871	0.00	79.2	73.2	81.2	75.3	70.9	64.7	62.1	55.5	87.1	81.2	79.2
	Outlet 2	720	0.58	77.7	70.1	78.1	73.3	66.3	60.5	58.5	51.7	84.6	78.2	76.2
	Outlet 3	531	1.06	74.7	66.1	74.3	70.0	62.4	56.7	55.1	47.3	81.1	74.6	72.6
	Outlet 4	312	1.31	76.3	63.5	70.7	68.1	58.9	53.6	51.1	42.5	81.4	74.5	72.5
1140 RPM	Inlet 1	575	0.00	73.1	51.1	64.6	61.2	62.7	53.6	51.9	45.3	76.9	70.0	68.0
	Inlet 2	476	0.25	70.7	46.1	61.6	58.6	57.4	49.5	48.0	41	74.5	66.8	64.8
	Inlet 3	351	0.46	67.0	41.5	58.3	58.1	53.5	46.0	43.8	36.2	71.9	65.2	63.2
	Inlet 4	206	0.57	69.6	41.4	56.3	55.5	50.4	43.5	40.5	31.8	73.4	64.6	62.5
	Outlet 1	575	0.00	70.2	64.3	72.2	66.3	61.9	55.7	53.1	46.5	78.1	72.2	70.2
	Outlet 2	476	0.25	68.7	61.1	69.2	64.3	57.3	51.5	49.5	42.7	75.6	69.2	67.2
	Outlet 3	351	0.46	65.7	57.1	65.3	61.0	53.5	47.7	46.1	38.3	72.1	65.6	63.6
	Outlet 4	206	0.57	67.3	54.5	61.7	59.1	49.9	44.6	42.1	33.5	72.4	65.5	63.5

Property rights to all drawings, details, representations, ideas, data, notes and specifications either copies or originals thereof that may be incorporated into the design and/or project are the property solely of Plastec ventilation, inc. Permission for any copies of said copyrighted materials, drawings, details, representations, ideas, data, notes and specifications either originals or copies thereof to be made, copied or altered by any person, business, or corporation may only be authorized with the expressed written permission of Plastec ventilation, inc. By the use of this data, the user acknowledges that he/she has read and understand all of the notes included herein.



# PLASTEC 20

## Expanded View



1	Inlet Flange
2	Housing
3	Hub Cap
4	Hub
5	Impeller
6	Motor Plate
7	Motor
8	Inlet Gasket
9	Motor Plate Seal
10	Shaft Key

Property rights to all drawings, details, representations, ideas, data, notes and specifications either copies or originals thereof that may be incorporated into the design and/or project are the property solely of Plastec ventilation, inc. Permission for any copies of said copyrighted materials, drawings, details, representations, ideas, data, notes and specifications either originals or copies thereof to be made, copied or altered by any person, business, or corporation may only be authorized with the expressed written permission of Plastec ventilation, inc. By the use of this data, the user acknowledges that he/she has read and understand all of the notes included herein.