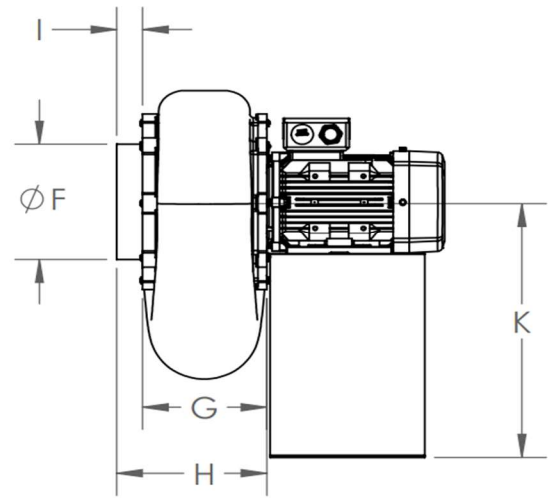
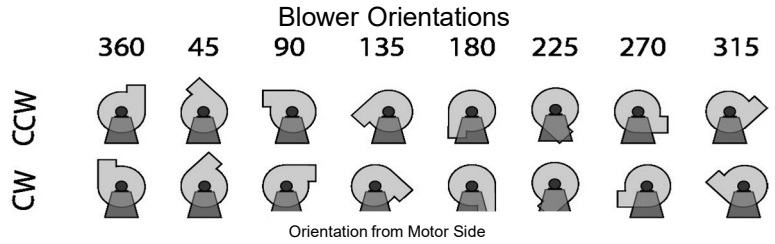
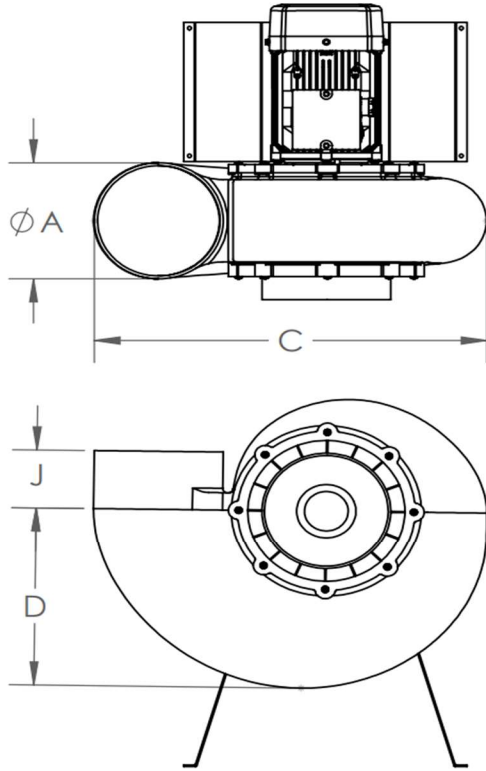




# PLASTEC 15



### Mechanical Data

	ØA (OD)	C	D	ØF (OD)	G	H	I	J
in	4.91	16.11	7.98	4.91	5.7	6.84	1.18	3.93
mm	125	410	203	125	144	174	30	100

### Motor Height (K)

	0.33 Hp	0.50 Hp
in	12.54	12.54
mm	319	319

<b>Project Name</b>	
<b>Date</b>	
<b>Engineer/Sales Rep</b>	
<b>Client</b>	
<b>Contractor</b>	

Property rights to all drawings, details, representations, ideas, data, notes and specifications either copies or originals thereof that may be incorporated into the design and/or project are the property solely of Plastec ventilation, inc. Permission for any copies of said copyrighted materials, drawings, details, representations, ideas, data, notes and specifications either originals or copies thereof to be made, copied or altered by any person, business, or corporation may only be authorized with the expressed written permission of Plastec ventilation, inc. By the use of this data, the user acknowledges that he/she has read and understand all of the notes included herein.



# PLASTEC 15

## Model Numbers

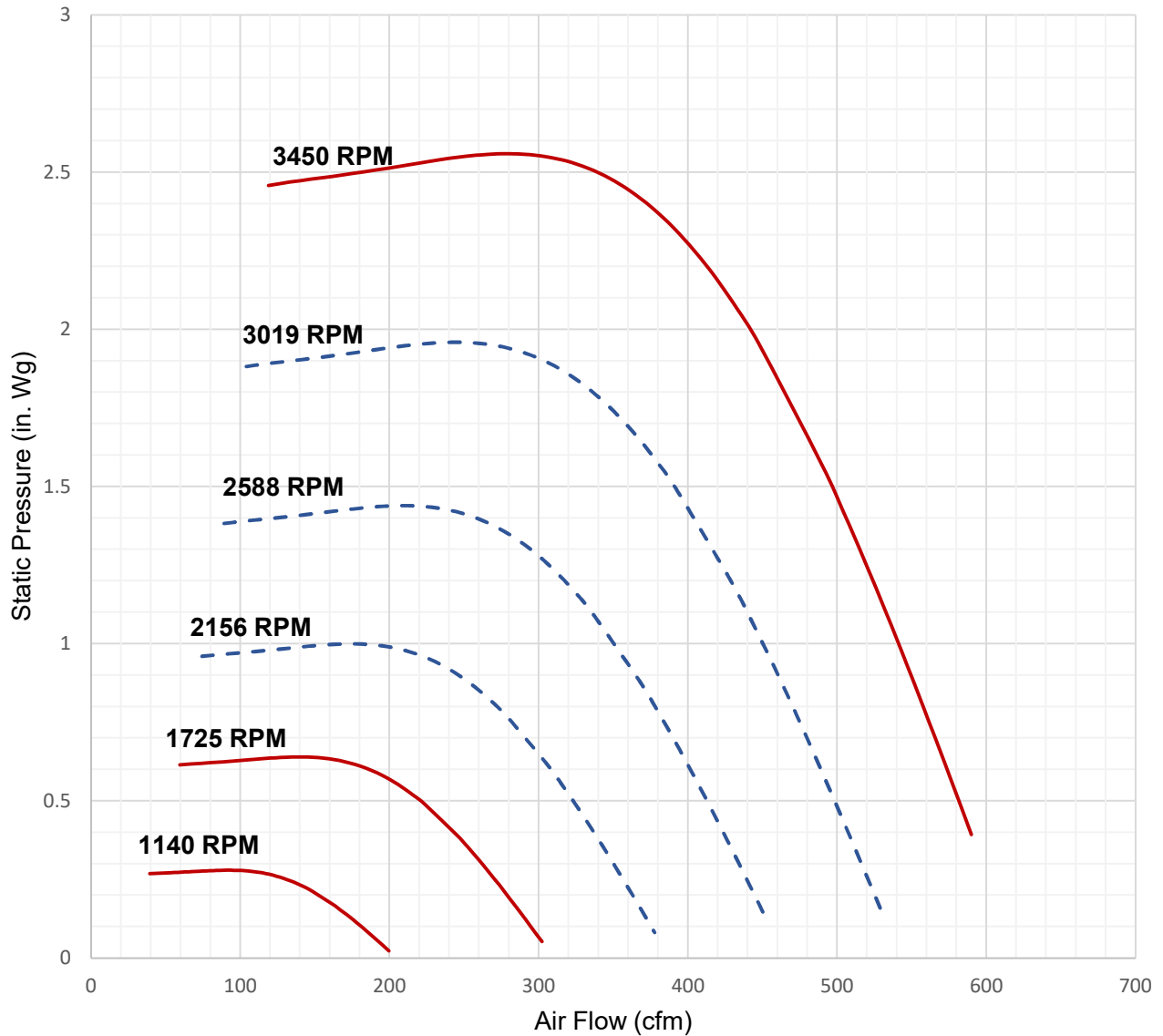
Model Number	Max. Flow (cfm)	Min. Flow (cfm)	Max. Static (in. Wg)	Min. Static (in. Wg)	Phase	Power (hp)	RPM	Voltage (V)	FLA	Weight (lb)
P15XS6P033	200	11	0.28	0.1	Single Phase	0.33	1160	115/208-230	3.8/2.7	32.4
P15XS4P033	310	11	0.63	0.1	Single Phase	0.33	1760	115/208-230	4.6/2.3	30.2
P15XT2P050	600	11	2.55	0.1	Three Phase	0.5	3480	208-230/460	1.56/0.77	30.2
P15XT4P033	310	11	0.63	0.1	Three Phase	0.33	1715	208-230/460	1.18/0.62	31.3
P15XS2P050	600	11	2.55	0.1	Single Phase	0.5	3480	115/208-230	5.9/2.9	31.3

Property rights to all drawings, details, representations, ideas, data, notes and specifications either copies or originals thereof that may be incorporated into the design and/or project are the property solely of Plastec ventilation, inc. Permission for any copies of said copyrighted materials, drawings, details, representations, ideas, data, notes and specifications either originals or copies thereof to be made, copied or altered by any person, business, or corporation may only be authorized with the expressed written permission of Plastec ventilation, inc. By the use of this data, the user acknowledges that he/she has read and understand all of the notes included herein.



# PLASTEC 15

## Performance Curve



— Standard RPM      - - - Frequency Variation

Property rights to all drawings, details, representations, ideas, data, notes and specifications either copies or originals thereof that may be incorporated into the design and/or project are the property solely of Plastec ventilation, inc. Permission for any copies of said copyrighted materials, drawings, details, representations, ideas, data, notes and specifications either originals or copies thereof to be made, copied or altered by any person, business, or corporation may only be authorized with the expressed written permission of Plastec ventilation, inc. By the use of this data, the user acknowledges that he/she has read and understand all of the notes included herein.



# PLASTEC 15

## Acoustic Data

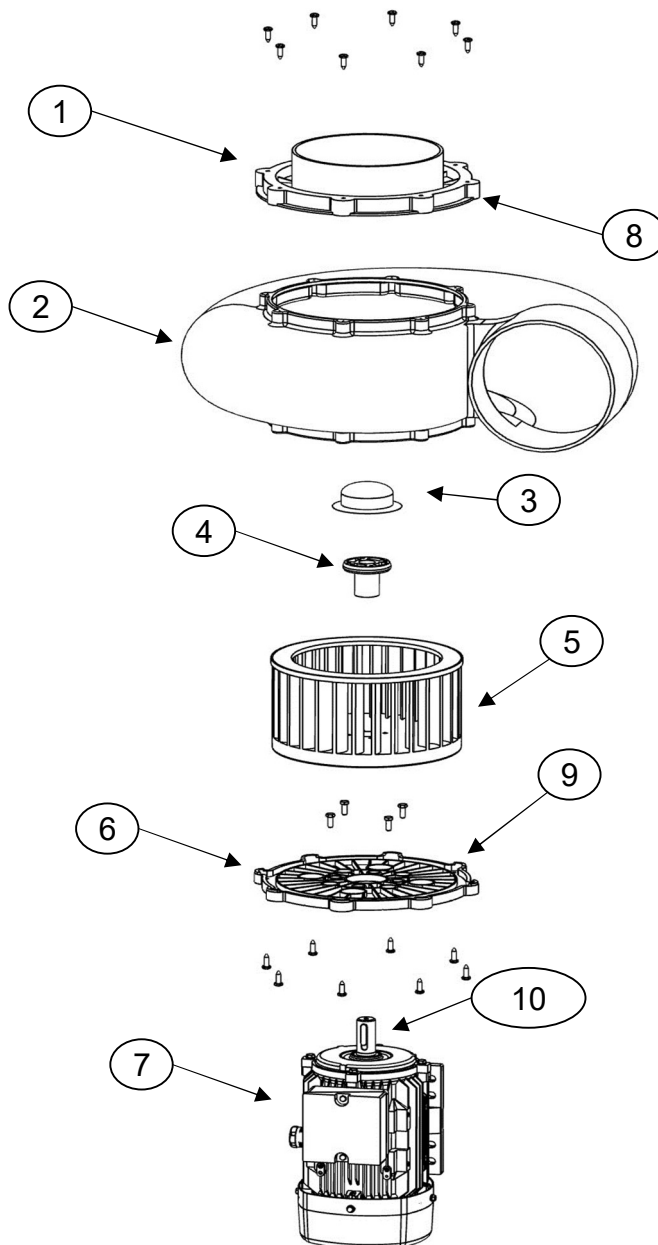
		Qv	Ps	Octave Band (Hz)								Lw	Lw(A)	Lp(A)
		(cfm)	(inwg)	63	125	250	500	1000	2000	4000	8000	dB	dB(A)	dB(A)
3450 RPM	Inlet 1	549	0.74	74.2	61.6	73.3	75.0	71.1	64.3	60.1	54.1	89	82.8	80.8
	Inlet 2	479	1.54	73.6	63.2	72.6	73.3	69.5	62.8	58.0	50.4	88.1	81.5	79.5
	Inlet 3	343	2.40	70.1	59.0	67.2	68.8	67.3	61.4	55.7	47.3	84.6	78.5	76.5
	Inlet 4	137	2.43	68.0	58.3	64.6	66.8	65.3	60.2	53.8	45.3	82.4	76.8	74.7
	Outlet 1	549	0.74	66.6	77.0	83.3	82.9	73.3	64.5	61.8	54.9	93.4	87.4	85.4
	Outlet 2	479	1.54	64.8	75.2	82.2	82.7	71.9	62.6	59.8	51.9	92.2	86.4	84.4
	Outlet 3	343	2.40	63.3	70.5	76.3	78.3	68.3	60.7	57.1	48.3	87.5	81.8	79.7
	Outlet 4	137	2.43	62.0	66.2	72	71.3	65.0	59.5	54.6	44.6	83.7	77.7	75.6
1725 RPM	Inlet 1	275	0.18	59.2	46.6	58.3	60.0	56.1	49.3	45.1	39.1	73.9	67.8	65.7
	Inlet 2	239	0.38	58.6	48.2	57.6	58.3	54.5	47.8	43.0	35.4	73	66.5	64.4
	Inlet 3	171	0.60	55.0	43.9	52.1	53.7	52.2	46.3	40.6	32.2	69.5	63.5	61.4
	Inlet 4	68	0.61	53.0	43.3	49.6	51.8	50.3	45.2	38.8	30.3	67.4	61.7	59.7
	Outlet 1	275	0.18	51.6	62.0	68.3	67.9	58.3	49.5	46.8	39.9	78.3	72.4	70.3
	Outlet 2	239	0.38	49.8	60.2	67.2	67.7	56.9	47.6	44.8	36.9	77.1	71.4	69.3
	Outlet 3	171	0.60	48.2	55.4	61.2	63.2	53.2	45.6	42.0	33.2	72.4	66.7	64.7
	Outlet 4	68	0.61	47.0	51.2	57	56.3	50.0	44.5	39.6	29.6	68.6	62.7	60.6
1140 RPM	Inlet 1	182	0.08	50.2	37.6	49.3	51.0	47.1	40.3	36.1	30.1	64.9	58.8	56.7
	Inlet 2	158	0.17	49.6	39.2	48.6	49.3	45.5	38.8	34.0	26.4	64	57.5	55.4
	Inlet 3	113	0.26	46.0	34.9	43.1	44.7	43.2	37.3	31.6	23.2	60.5	54.5	52.4
	Inlet 4	45	0.26	44.0	34.3	40.6	42.8	41.3	36.2	29.8	21.3	58.4	52.7	50.7
	Outlet 1	182	0.08	42.6	53.0	59.3	58.9	49.3	40.5	37.8	30.9	69.3	63.4	61.3
	Outlet 2	158	0.17	40.8	51.2	58.2	58.7	47.9	38.6	35.8	27.9	68.2	62.4	60.4
	Outlet 3	113	0.26	39.2	46.4	52.2	54.2	44.2	36.6	33.0	24.2	63.4	57.7	55.7
	Outlet 4	45	0.26	38.0	42.2	48	47.3	41.0	35.5	30.6	20.6	59.6	53.7	51.6

Property rights to all drawings, details, representations, ideas, data, notes and specifications either copies or originals thereof that may be incorporated into the design and/or project are the property solely of Plastec ventilation, inc. Permission for any copies of said copyrighted materials, drawings, details, representations, ideas, data, notes and specifications either originals or copies thereof to be made, copied or altered by any person, business, or corporation may only be authorized with the expressed written permission of Plastec ventilation, inc. By the use of this data, the user acknowledges that he/she has read and understand all of the notes included herein.



# PLASTEC 15

## Expanded View



1	Inlet Flange
2	Housing
3	Hub Cap
4	Hub
5	Impeller
6	Motor Plate
7	Motor
8	Inlet Gasket
9	Motor Plate Seal
10	Shaft Key

Property rights to all drawings, details, representations, ideas, data, notes and specifications either copies or originals thereof that may be incorporated into the design and/or project are the property solely of Plastec ventilation, inc. Permission for any copies of said copyrighted materials, drawings, details, representations, ideas, data, notes and specifications either originals or copies thereof to be made, copied or altered by any person, business, or corporation may only be authorized with the expressed written permission of Plastec ventilation, inc. By the use of this data, the user acknowledges that he/she has read and understand all of the notes included herein.