

PLASTEC VENTILATION SOLUTION

**A NEW WIND
FOR A SAFE AND HEALTHY
VENTILATION SYSTEM**



STORM Series



Anti-corrosion solutions
for industry and laboratories.

ANTI-CORROSION FANS

FOR VAPORS, CORROSIVE GAS AND TOXIC EXTRACTIONS



LEADER
in anti-corrosion fans



Export in
+ 80 COUNTRIES



Business
EXPERTISE



CUSTOMER SERVICES
& training



+ 500 CLIENTS
trust us



ENERGY
saving

PLASTECH Ventilation is the leader of anti corrosion fans.

Our company responds to the challenges of its clients of all sizes and in all sectors, from big multinational companies to medium-sized companies or small installers, resellers, manufacturers of laboratory furniture or end users.

The success of our company is based on the daily implementation, in our actions and decisions of four fundamental values:

Technicality

To support all our customers needs and requests with our team of engineers.

Reactivity

To establish and maintain a close relationship with each of our customers, to excel in our quality of service and to respond quickly to requests.

Competitiveness

To optimize and accelerate our processes by reducing costs without ever losing sight of our customer's quality requirements.

Innovation

To continuously improve our products and develop new ones to better serve the needs of our customers.



SOLUTION FOR INDUSTRIES

Wide variety of anti-corrosive fans perfectly suited for the extraction of corrosive or toxic fumes, gases and vapors.



SOLUTION FOR LABORATORIES

Complete air extraction control systems and regulatory solutions for laboratory fume cupboards to ensure user safety.

TABLE OF CONTENT

STORM 10

Page 3



STORM 12

Page 5



STORM 14

Page 7



STORM 16

Page 9



STORM Series



Housing

- Polypropylene casing
- High corrosion resistant
- From 15 to 1,240 CFM
- From 0.25 to 11.5 inWg
- Single block without welded joint
- UV treated
- Rotatable in all discharge positions
- Motor flanges made of polypropylene



Impellers

- Forward curved
- Made of polypropylene
- Cap hub made of polypropylene
- Electronically and dynamically balanced

Mounting supports

STORM fans can be provided in different configurations



Stainless steel stand



Weather hood

Explosion resistant

All the STORM fans are available in Explosion resistant version. Our fans are compliant with all international standards: NEC 500/505, ATEX (EN60079) and European Directives (99/92/EC and 94/9/EC).



EXPLOSION RESISTANT MARKING

NEC 500 : CLASS I DIV II GROUP A,B T4

NEC 505 : CLASS I ZONE II AEx d GROUP IIC T4

ATEX : Ex II 3G Ex c GROUP IIC T4

AMCA Certified



PLASTECH Ventilation certifies that the STORM Series shown herein is licensed to bear the AMCA Seal. The ratings shown are based on tests and procedures performed in accordance with AMCA Publication 211 and AMCA Publication 311 and comply with the requirements of the AMCA Certified Ratings Program."

Performance certified is for installation type D - Ducted inlet, Ducted outlet. Performance ratings do not include the effects of appurtenances (accessories). Maximum fan input power over the range catalogued, or fan input power at the stated duty, or maximum motor input watts, voltage and frequency over the range catalogued, or motor input watts, voltage, and frequency at the state duty. - Rating Methods D.

The sound power level ratings shown are in decibels, referred to 10-12 watts, calculated per AMCA standard 301. Values shown are for inlet Lwi and LwiA sound power levels for installation Type D: Ducted inlet, Ducted outlet. Ratings include the effects of duct end correction. The A-weighted sound ratings shown have been calculated per AMCA International Standard 301. Sound pressure levels are not licensed by AMCA international.

STORM Series

Table of references

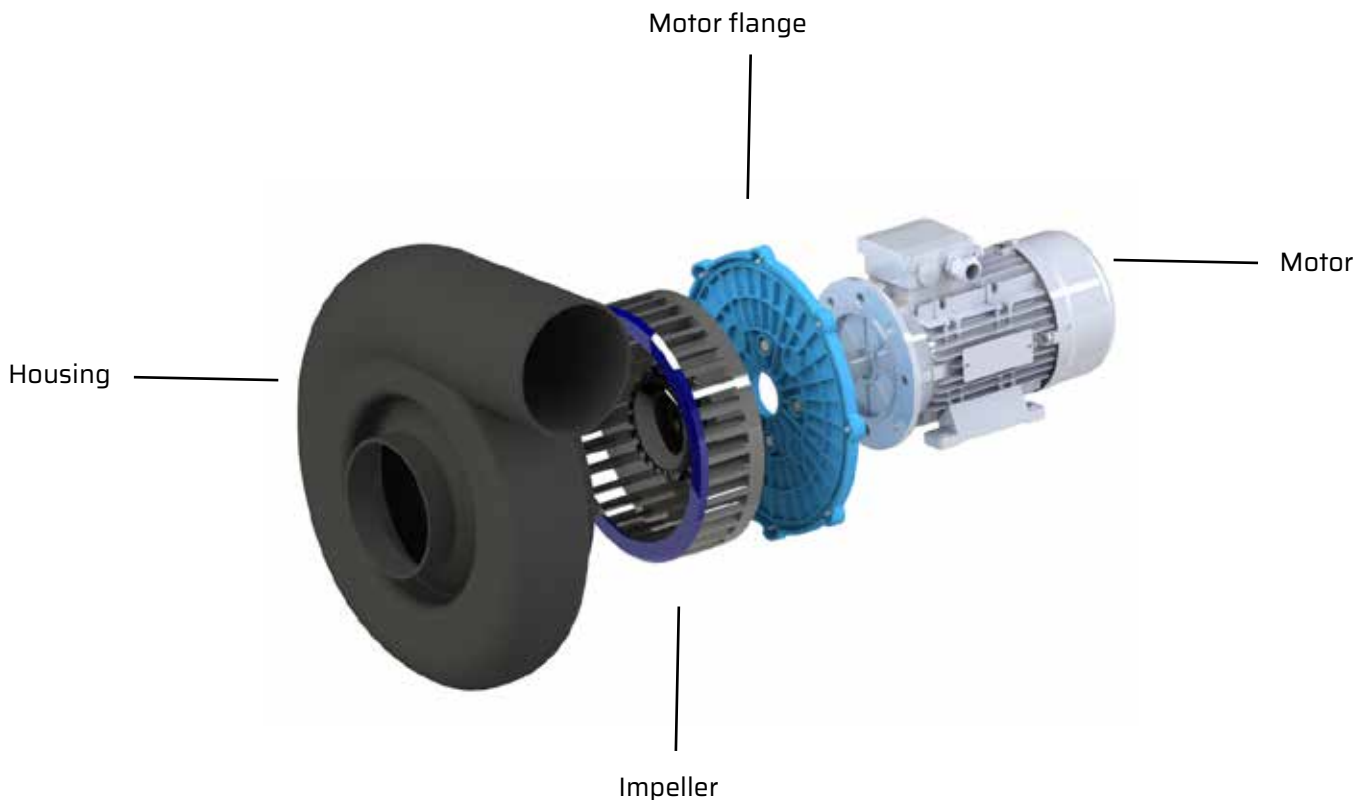
Asynchronous series

	Motor RPMs	Motor Horse Power (HP)	Voltage	Phase	Weight	Part number
STORM 10	1725	0,12	115/230	Single	15,2	S10SS4P012
	3450	0,16	115/230	Single	22,2	S10SS2P016
	3450	0,16	230/460	Three	22,2	S10ST2P016
STORM 12	1725	0,33	115/230	Single	14,5	S12SS4P033
	1725	0,33	230/460	Three	14,5	S12ST4P033
	3450	0,5	115/230	Single	23,5	S12SS2P050
	3450	0,5	230/460	Three	23,5	S12ST2P050
STORM 14	1725	0,5	115/230	Single	25	S14SS4P050
	1725	0,5	230/460	Three	25	S14ST4P050
	3450	1,5	230/460	Three	43	S14ST2P150
STORM 16	3450	3	230/460	Three	135	S16ST2P300

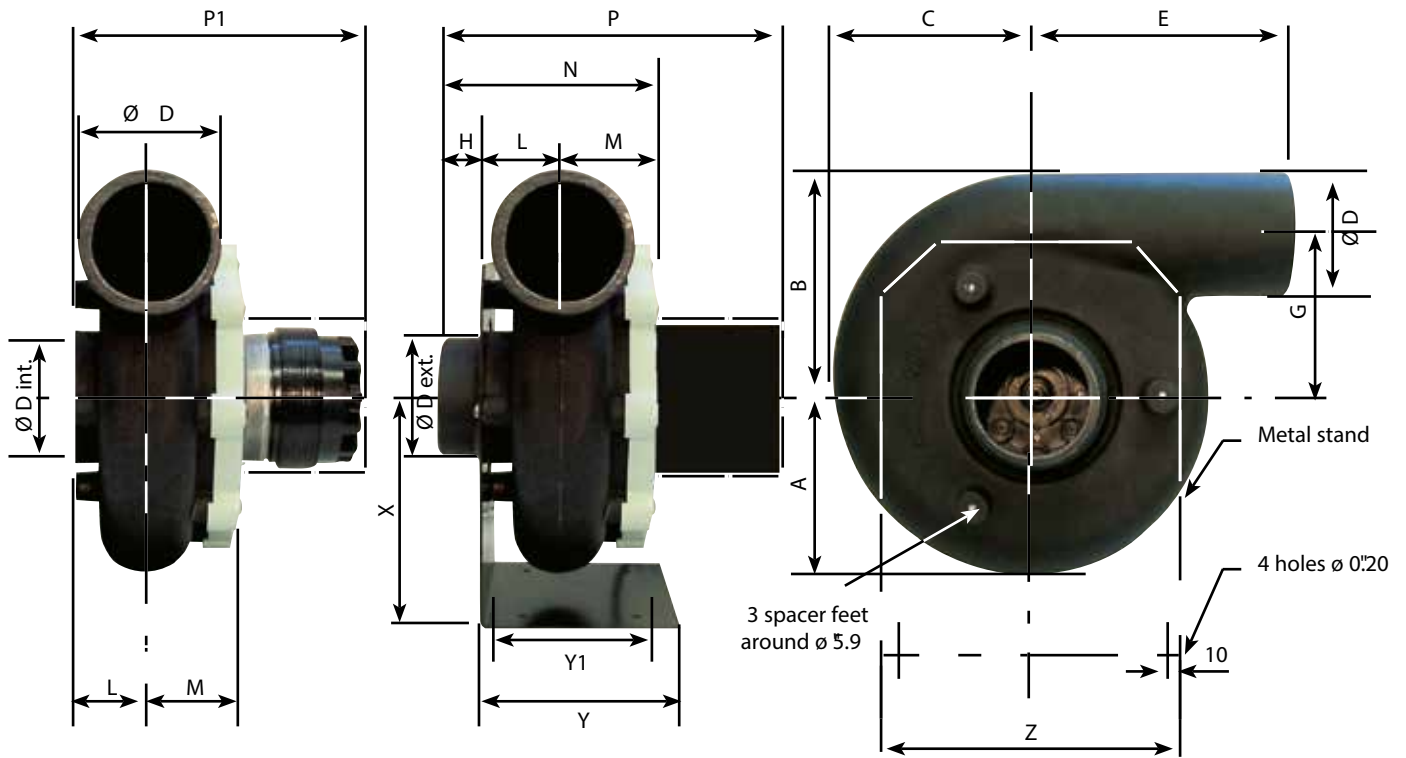
Explosion Resistant series

	Motor RPMs	Motor Horse Power (HP)	Voltage	Phase	Weight	Part number
STORM 10	1725	0,33	115/230	Single	42,2	S10XS4P033
	1725	0,12	230/460	Three	36,2	S10XT4P012
	3450	0,33	115/230	Single	37,2	S10XS2P033
	3450	0,16	230/460	Three		S10XT2P016
STORM 12	1725	0,33	115/230	Single	43,5	S12XS4P033
	1725	0,33	230/460	Three	37,5	S12XT4P033
	3450	0,5	115/230	Single	58,5	S12XS2P050
	3450	0,5	230/460	Three	43,5	S12XT2P050
STORM 14	1725	0,5	115/230	Single	57	S14XS4P050
	1725	0,5	230/460	Three	47	S14XT4P050
	3450	1,5	115/230	Single	81	S14XS2P150
	3450	1,5	230/460	Three	81	S14XT2P150
STORM 16	3450	3	230/460	Three	194	S16XT2P300

Exploded view



STORM 10



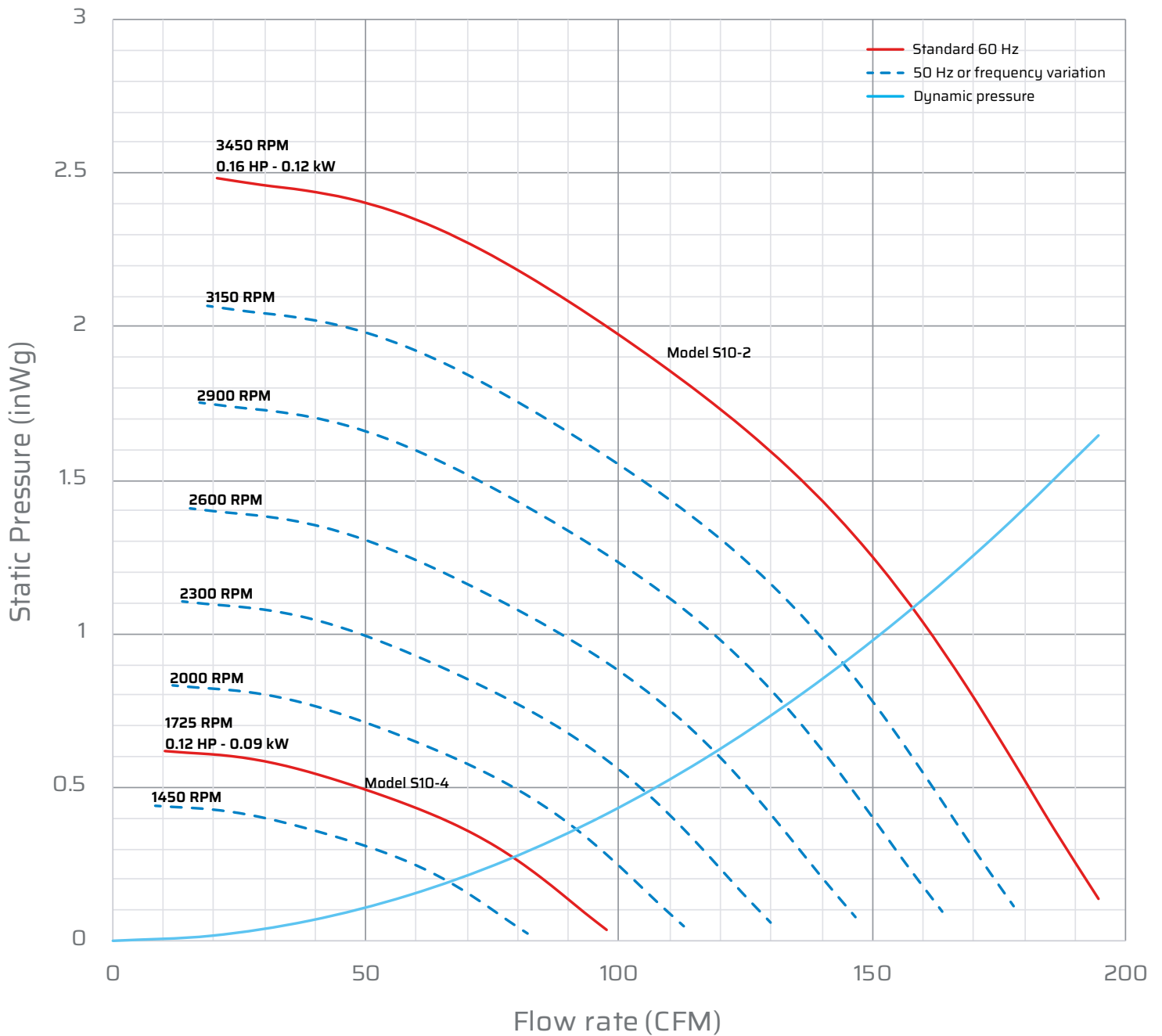
CCW POSITION ONLY

* Pictures and dimensions non-contractual

Dimensional data (inches)													
Metal stand is optional - Motor size may vary upon model													
A	B	C	Ø D	E	G	H	L	M	N	Y	Y ₁	Z	X
4.53	5.31	5.00	2.95	6.22	3.82	1.26	1.89	2.24	5.39	4.72	3.94	6.50	5.31

Discharge positions - View from inlet side							
CCW 360	CCW 45	CCW 90	CCW 135	CCW 180	CCW 225	CCW 270	CCW 315

STORM 10

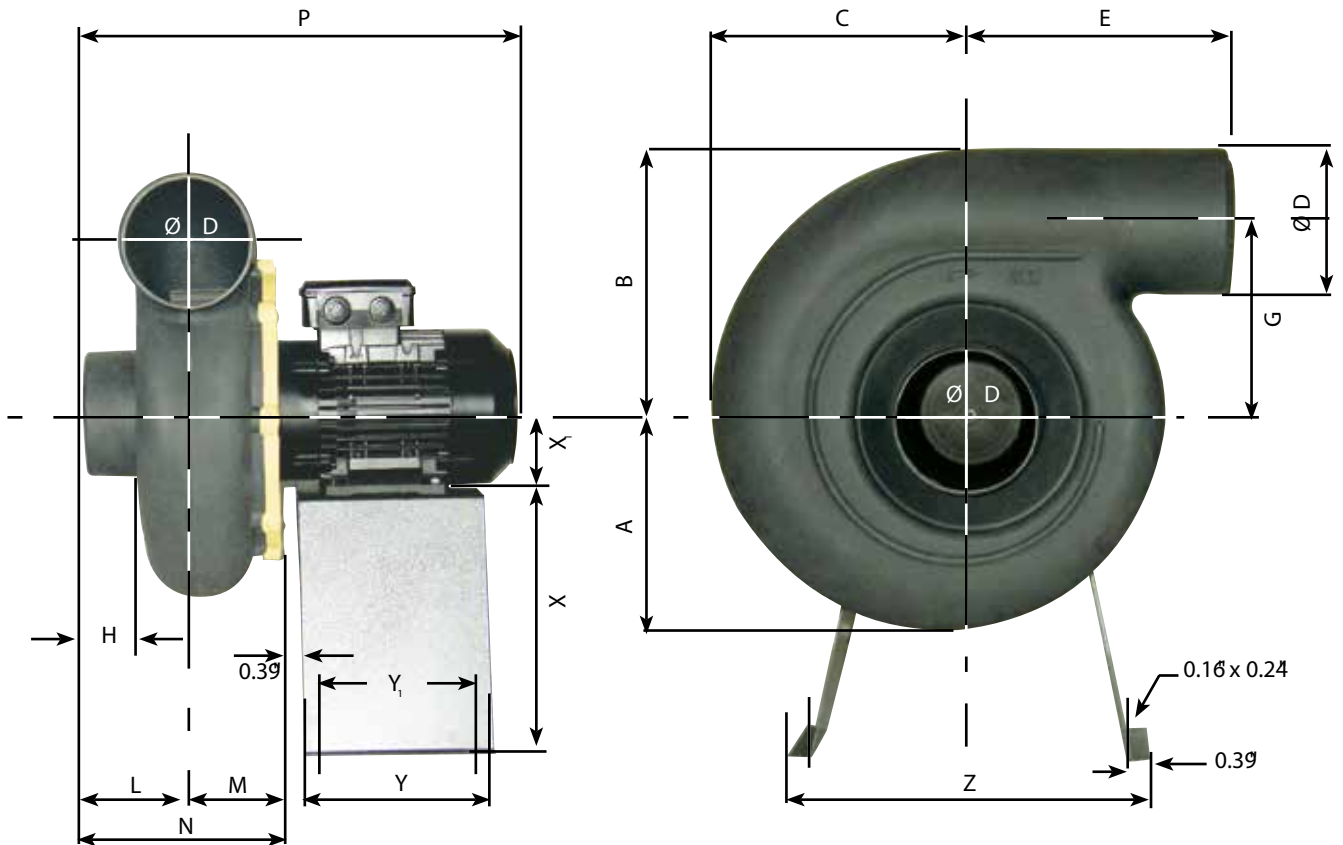


Inlet sound

	Q _v	SP	L _{wA}	L _{pA} *	Octave band (Hz)							
RPM	(CFM)	(inWg)	dB(A)	dB(A)	63	125	250	500	1000	2000	4000	8000
1725	56	0.45	70	50	86	83	75	65	63	50	44	38
3450	111	1.78	85	65	101	98	91	80	78	66	59	53

* Acoustic pressure L_p at 10 feet - Outlet acoustic data available on request

STORM 12



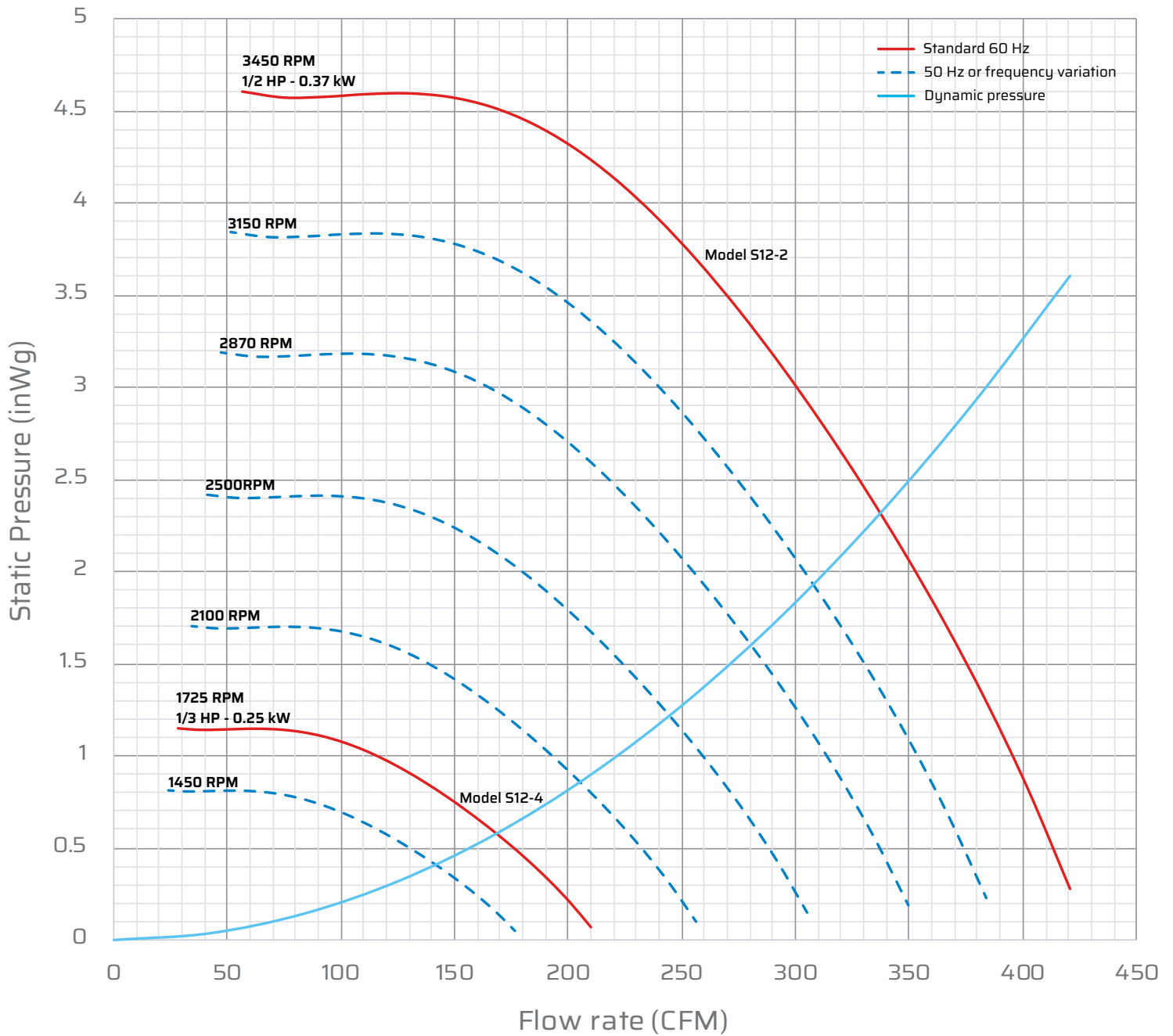
CCW POSITION ONLY

* Pictures and dimensions non-contractual

Dimensional data (inches)															
Metal stand is optional - Motor size may vary upon model															
A	B	C	ØD	E	G	H	L	M	N	P	Y	Y _i	Z	X	X _i
5.71	6.89	6.42	3.54	8.35	5.12	1.77	3.15	2.83	5.98	13.78	7.09	6.30	13.39	9.45	2.80

Discharge positions - View from inlet side							
CCW 360	CCW 45	CCW 90	CCW 135	CCW 180	CCW 225	CCW 270	CCW 315

STORM 12

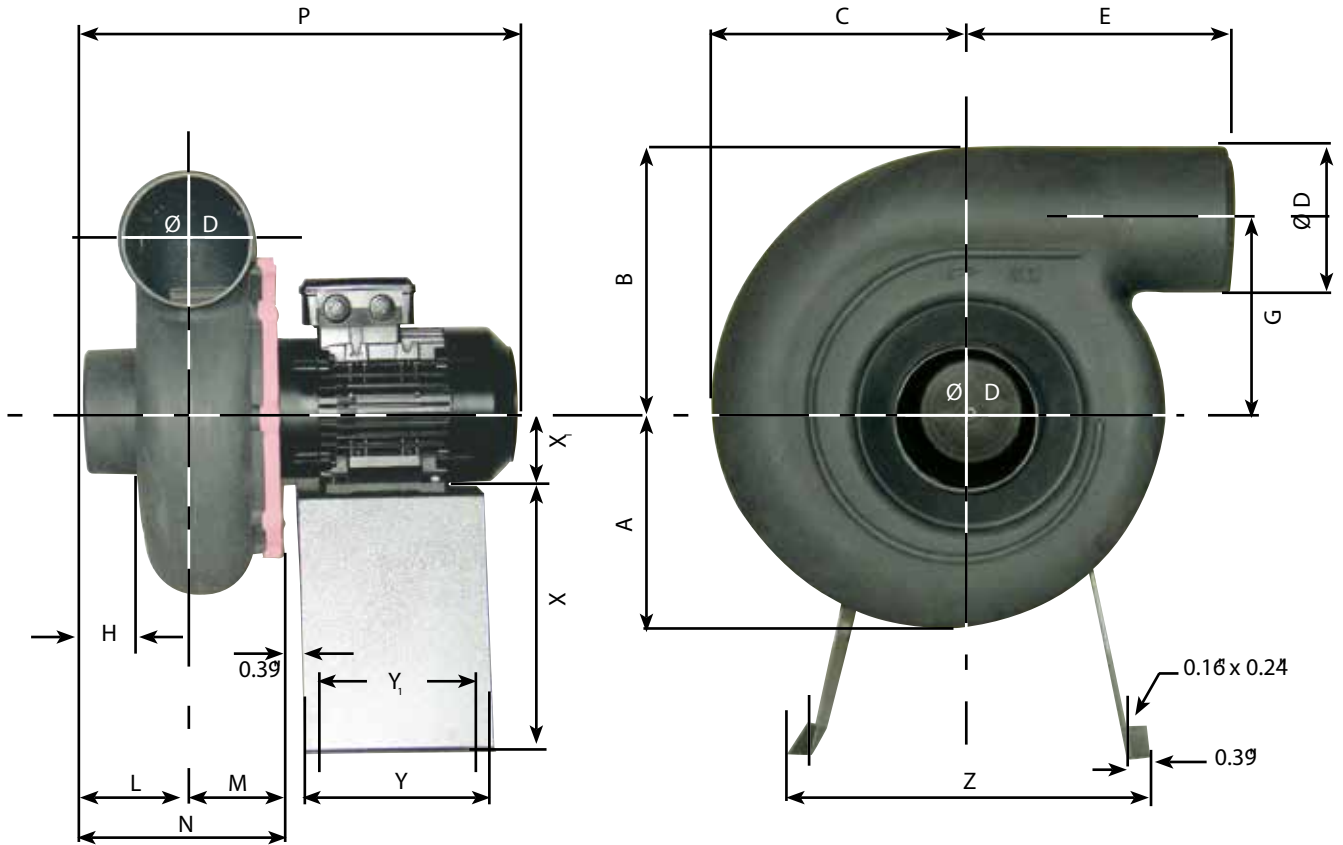


Inlet sound

	Q_v	SP	LwA	LpA *	Octave band (Hz)							
RPM	(CFM)	(inWg)	dB(A)	dB(A)	63	125	250	500	1000	2000	4000	8000
1725	122	0.95	75	54	90	83	73	72	72	61	54	47
3450	245	3.78	90	69	105	99	88	87	87	76	69	62

* Acoustic pressure Lp at 10 feet - Outlet acoustic data available on request

STORM 14



CCW POSITION ONLY

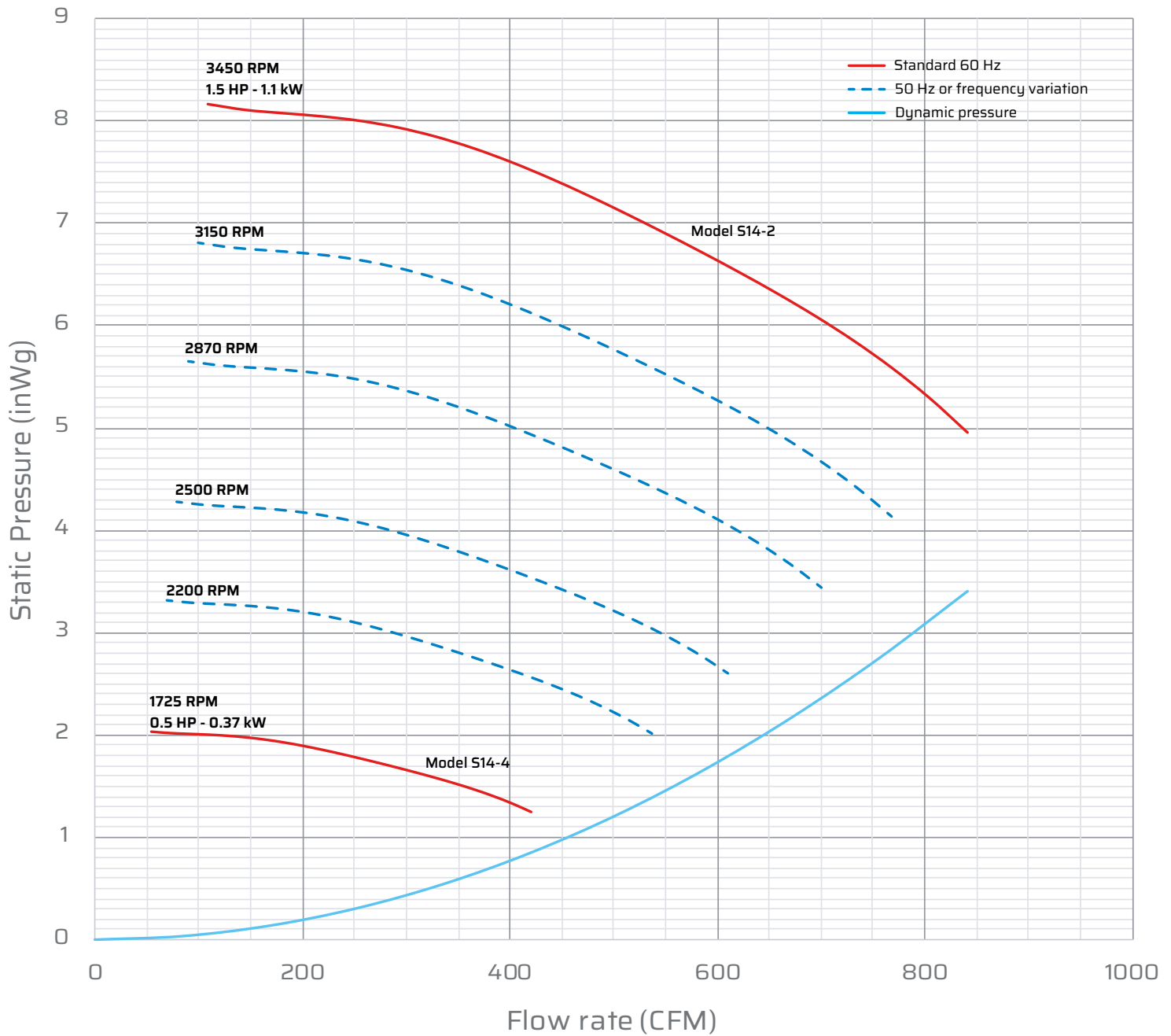
* Pictures and dimensions non-contractual

Dimensional data (inches)															
Metal stand is optional - Motor size may vary upon model															
A	B	C	ØD	E	G	H	L	M	N	P	Y	Y ₁	Z	X	X ₁
7.40	9.13	8.94	4.92	8.58	6.69	2.17	4.33	3.27	7.60	17.05	7.09	6.30	13.39	9.45	3.15



CCW 360 CCW 45 CCW 90 CCW 135 CCW 180 CCW 225 CCW 270 CCW 315

STORM 14

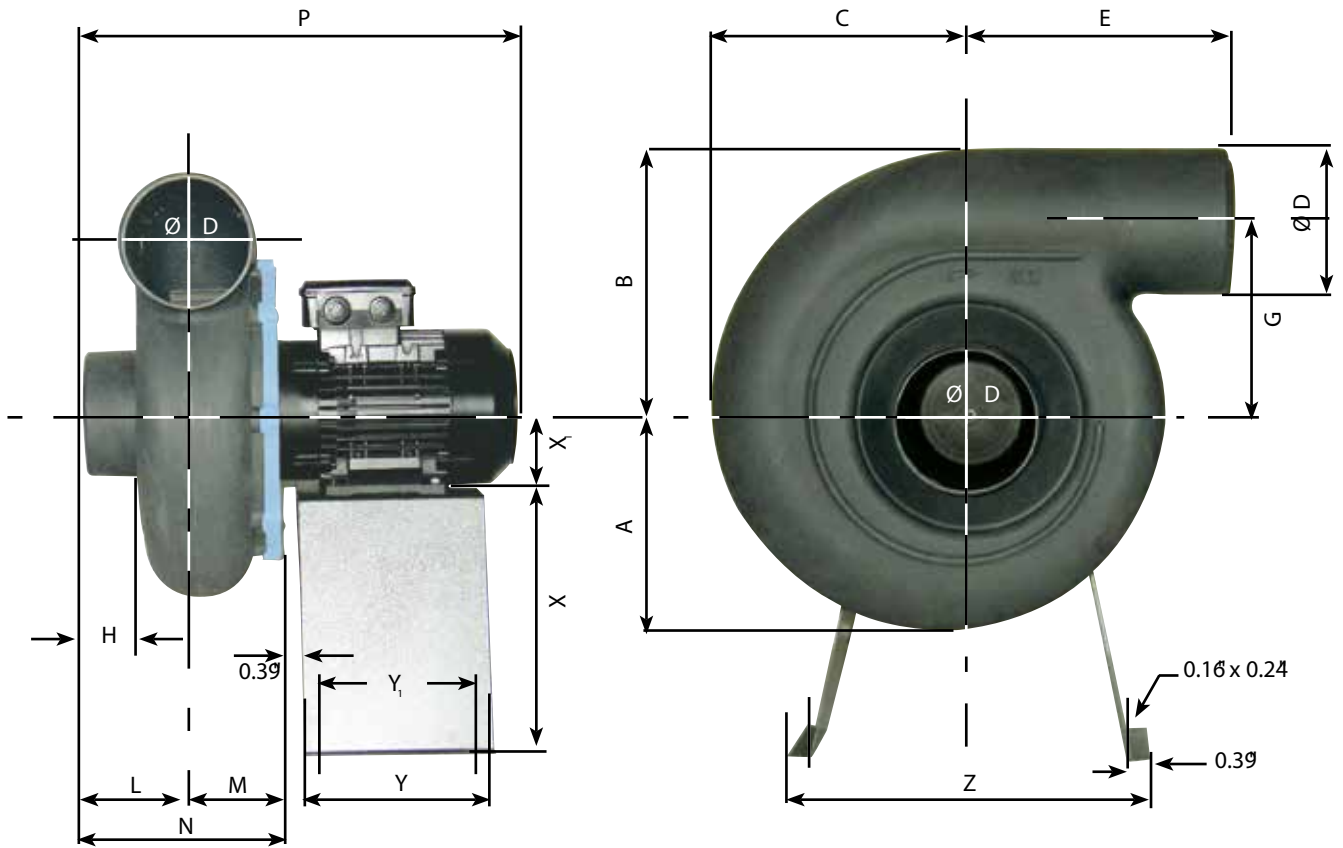


Inlet sound

	Q _v	SP	L _{wA}	L _{pA}	Octave band (Hz)							
RPM	(CFM)	(inWg)	dB(A)	dB(A)	63	125	250	500	1000	2000	4000	8000
1725	275	1.68	79	59	93	84	83	76	73	66	68	56
3450	551	6.7	94	74	108	99	98	91	88	81	83	71

* Acoustic pressure L_p at 10 feet - Outlet acoustic data available on request

STORM 16



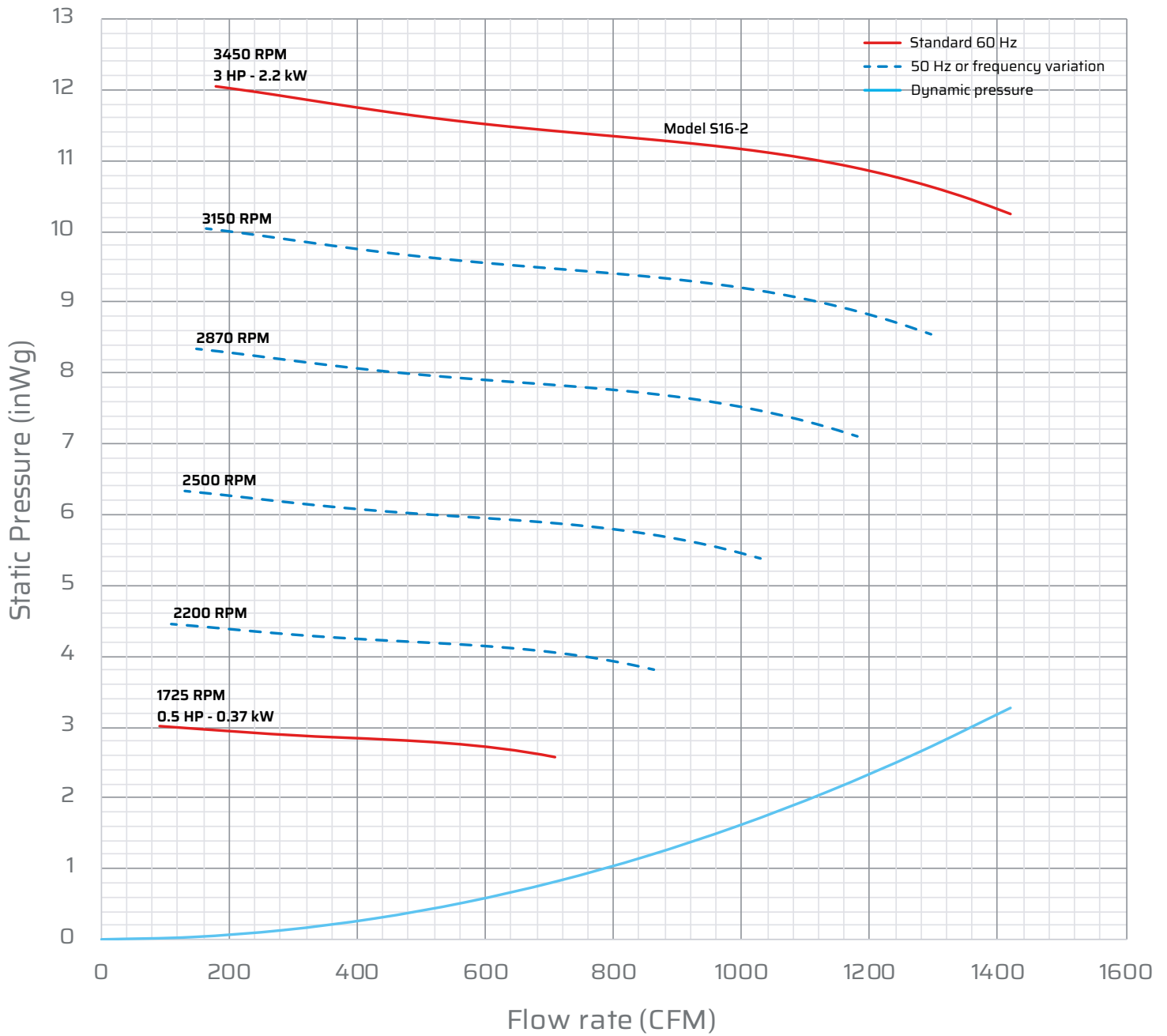
CCW POSITION ONLY

* Pictures and dimensions non-contractual

Dimensional data (inches)															
Metal stand is optional - Motor size may vary upon model															
A	B	C	ØD	E	G	H	L	M	N	P	Y	Y _i	Z	X	X _i
9.25	11.34	10.94	6.30	10.31	8.07	1.57	3.94	3.82	7.76	18.78	9.45	6.30	16.54	11.81	3.54

Discharge positions - View from inlet side							
CCW 360	CCW 45	CCW 90	CCW 135	CCW 180	CCW 225	CCW 270	CCW 315

STORM 16

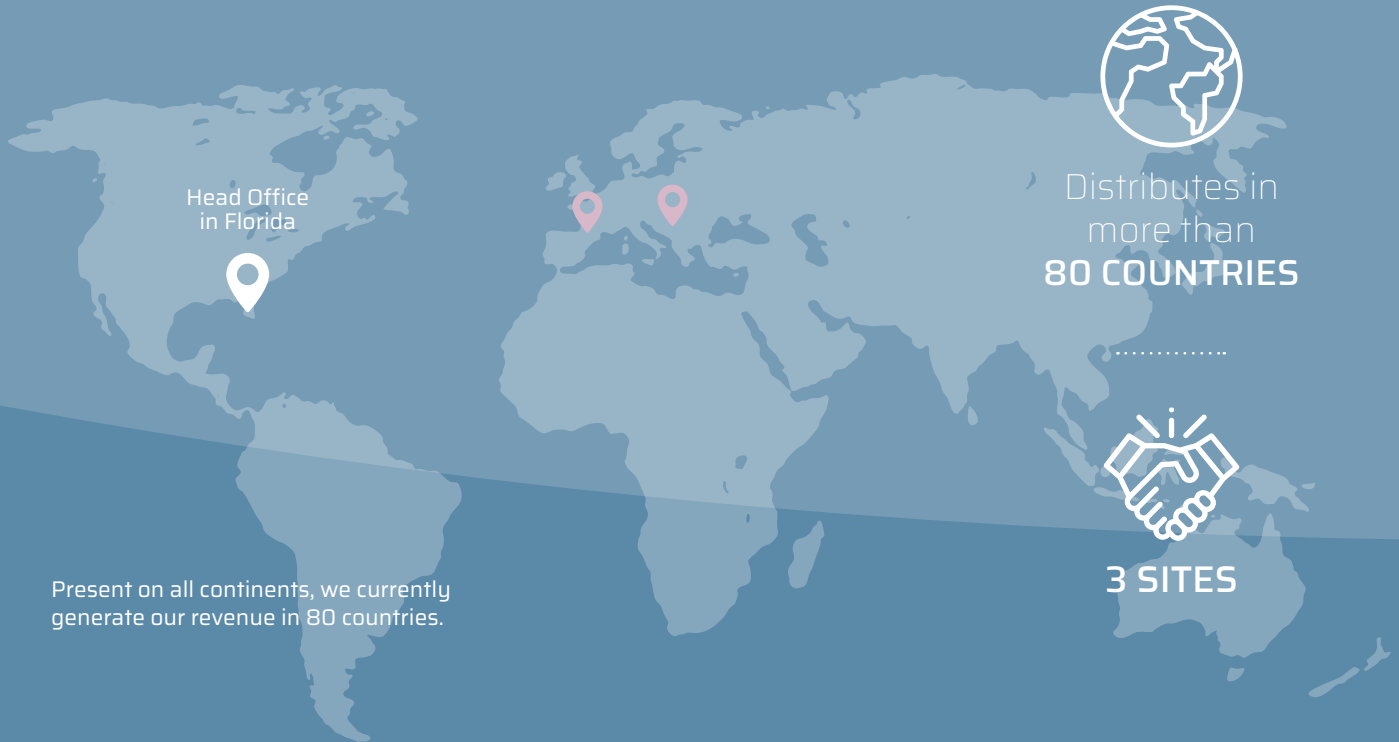


Inlet sound

	Q _v	SP	L _{wA}	L _{pA} *	Octave band (Hz)							
RPM	(CFM)	(inWg)	dB(A)	dB(A)	63	125	250	500	1000	2000	4000	8000
2500	438	6	90	70	103	94	91	86	84	81	77	74
3450	605	11.42	97	77	110	101	98	93	91	88	84	81

* Acoustic pressure L_p at 10 feet - Outlet acoustic data available on request

A WORLDWIDE PRESENCE



Distributes in more than **80 COUNTRIES**



3 SITES

Present on all continents, we currently generate our revenue in 80 countries.

THEY TRUST US

 **AVONMODULAR**

 **HEMCO**
Laboratory Planning Solutions

neuman pools inc.

S&P Global

 **NATIONAL LABORATORY SALES**

 **Flexlab**

 **evoqua**
WATER TECHNOLOGIES

 **filtco**

 **ACP**


 **CLIMATE SYSTEMS**

 **CANARM**

Steel Cabinets USA

 **CERTIFIED THERMOPLASTICS**

Plastec Ventilation, Inc.
2012 58th Avenue Cir. E.
Bradenton, FL 34203

Phone : 941-751-7596
Fax : 941-751-7598
Email : contact@plastecventilation.com
 [Plastec Ventilation](#)

www.plastecventilation.com

Member of CETIAT and AMCA

