

PLASTEC VENTILATION SOLUTION

**A NEW WIND
FOR A SAFE AND HEALTHY
VENTILATION SYSTEM**



PLASTEC Series



Anti-corrosion solutions
for industry and laboratories.

ANTI-CORROSION FANS

FOR VAPORS, CORROSIVE GAS AND TOXIC EXTRACTIONS



LEADER
in anti-corrosion fans



Export in
+ 80 COUNTRIES



Business
EXPERTISE



CUSTOMER SERVICES
& training



+ 500 CLIENTS
trust us



ENERGY
saving

PLASTECH Ventilation is the leader of anti corrosion fans.

Our company responds to the challenges of its clients of all sizes and in all sectors, from big multinational companies to medium-sized companies or small installers, resellers, manufacturers of laboratory furniture or end users.

The success of our company is based on the daily implementation, in our actions and decisions of four fundamental values:

Technicality

To support all our customers needs and requests with our team of engineers.

Reactivity

To establish and maintain a close relationship with each of our customers, to excel in our quality of service and to respond quickly to requests.

Competitiveness

To optimize and accelerate our processes by reducing costs without ever losing sight of our customer's quality requirements.

Innovation

To continuously improve our products and develop new ones to better serve the needs of our customers.



SOLUTION FOR INDUSTRIES

Wide variety of anti-corrosive fans perfectly suited for the extraction of corrosive or toxic fumes, gases and vapors.



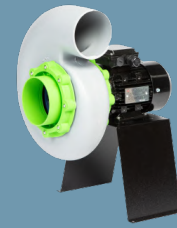
SOLUTION FOR LABORATORIES

Complete air extraction control systems and regulatory solutions for laboratory fume cupboards to ensure user safety.

TABLE OF CONTENT

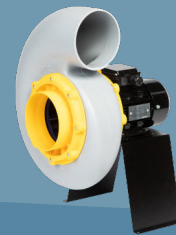
PLASTEC 15

Page 3



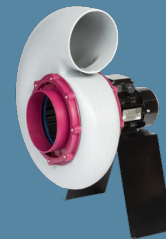
PLASTEC 20

Page 5



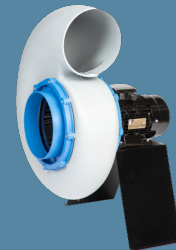
PLASTEC 25

Page 7



PLASTEC 30

Page 9



PLASTEC 35

Page 11



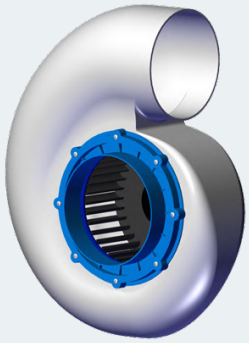
PLASTEC 50

Page 13



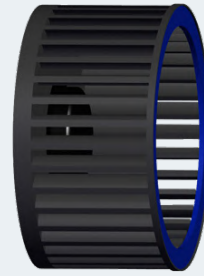
PLASTECH Series

Housing



- Polypropylene casing
- High corrosion resistant
- From 15 to 8,830 CFM
- From 0.1 to 8.1 inWg
- Single block without welded joint
- UV treated
- Available in CW and CCW discharge positions/ rotatable in all discharge positions
- Inlet and motor flanges made of polypropylene

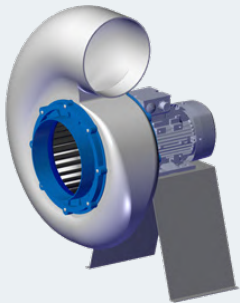
Impellers



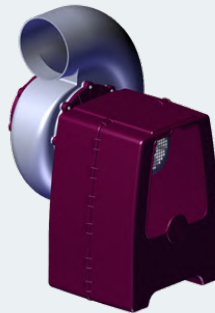
- Forward curved
- Made of polypropylene
- Cap hub made of polypropylene
- Electronically and dynamically balanced

Mounting supports

PLASTECH fans can be provided in different configurations



Stainless steel stand



Weather hood



Roof kit

Explosion resistant

All the PLASTECH fans are available in Explosion resistant version. Our fans are compliant with all international standards: NEC 500/505, ATEX (EN60079) and European Directives (99/92/EC and 94/9/EC).



EXPLOSION RESISTANT MARKING

NEC 500 : CLASS I DIV II GROUP A,B T4

NEC 505 : CLASS I ZONE II AEx d GROUP IIC T4

ATEX : Ex II 3G Ex c GROUP IIC T4

AMCA Certified



PLASTECH Ventilation certifies that the PLASTECH Series shown herein is licensed to bear the AMCA Seal. The ratings shown are based on tests and procedures performed in accordance with AMCA Publication 211 and AMCA Publication 311 and comply with the requirements of the AMCA Certified Ratings Program.»

Performance certified is for installation type D - Ducted inlet, Ducted outlet. Performance ratings do not include the effects of appurtenances (accessories). Maximum fan input power over the range catalogued, or fan input power at the stated duty, or maximum motor input watts, voltage and frequency over the range catalogued, or motor input watts, voltage, and frequency at the state duty. - Rating Methods D.

The sound power level ratings shown are in decibels, referred to 10-12 watts, calculated per AMCA standard 301. Values shown are for inlet Lwi and LwiA sound power levels for installation Type D: Ducted inlet, Ducted outlet. Ratings include the effects of duct end correction. The A-weighted sound ratings shown have been calculated per AMCA International Standard 301. Sound pressure levels are not licensed by AMCA international.

PLASTECH Series

Table of references

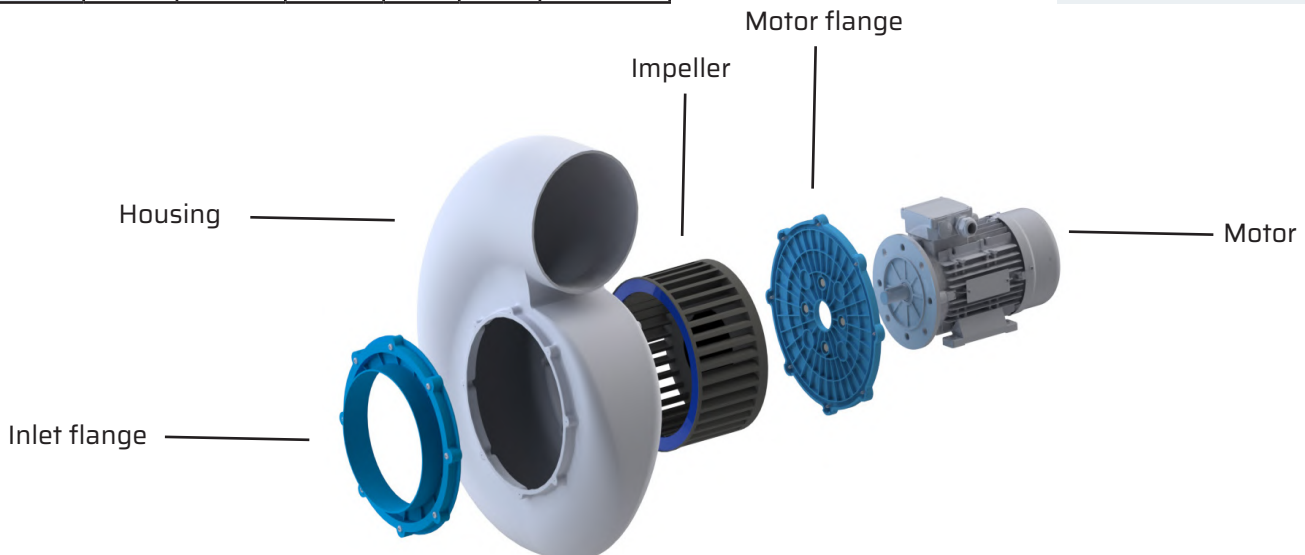
Asynchronous series

	Motor RPMs	Motor Horse Power (HP)	Voltage (V)	Phase	Weight (lbs)	Part number
PLASTECH 15	1140	0,25	115/230	Single	19	P15S56P025
	1140	0,25	230/460	Three	19	P15T56P025
	1725	0,33	115/230	Single	16	P15S54P033
	1725	0,33	230/460	Three	16	P15T54P033
	3450	0,5	115/230	Single	17	P15S52P050
	3450	0,5	230/460	Three	17	P15T52P050
PLASTECH 20	1140	0,25	115/230	Single	22	P20S56P025
	1140	0,25	230/460	Three	22	P20T56P025
	1725	0,33	115/230	Single	19	P20S54P033
	1725	0,33	230/460	Three	19	P20T54P033
	3450	1	115/230	Single	32	P20S52P100
	3450	1,5	115/230	Single	32	P20S52P150
	3450	1	230/460	Three	32	P20T52P100
	3450	1,5	230/460	Three	32	P20T52P150
PLASTECH 25	1140	0,25	115/230	Single	24	P25S56P025
	1140	0,25	230/460	Three	24	P25T56P025
	1725	0,5	115/230	Single	29	P25S54P050
	1725	0,75	115/230	Single	29	P25S54P075
	1725	0,5	230/460	Three	29	P25T54P050
	1725	0,75	230/460	Three	29	P25T54P075
	3450	3	230/460	Three	47	P25T52P300
	3450	4	230/460	Three	47	P25T52P400
PLASTECH 30	1140	0,75	115/230	Single	42	P30S56P075
	1140	0,75	230/460	Three	42	P30T56P075
	1725	1,5	115/230	Single	56	P30S54P150
	1725	1,5	230/460	Three	56	P30T54P150
PLASTECH 35	850	2	230/460	Three	178	P35S58P200
	1140	3	230/460	Three	135	P35S56P300
	1725	7,5	230/460	Three	157	P35S54P750
	1725	10	230/460	Three	157	P35S54P1000
PLASTECH 50	1350	5,5	230/460	Three	415	P50S56P550

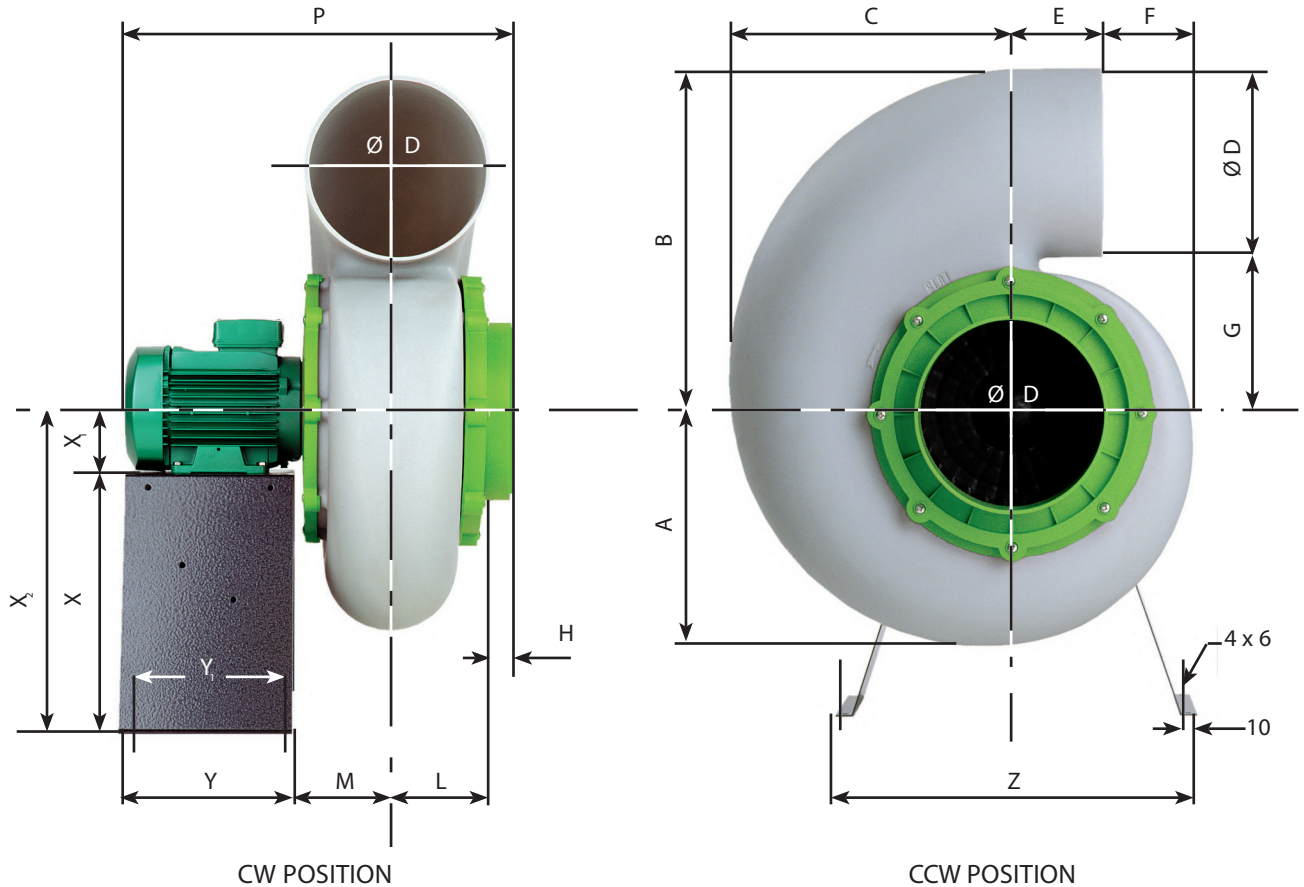
Explosion Resistant series

	Motor RPMs	Motor Horse Power (HP)	Voltage (V)	Phase	Weight (lbs)	Part number	
PLASTECH 15	1140	0,33	115/230	Single	53	P15X56P033	
	1725	0,33	115/230	Single	45	P15X54P033	
	1725	0,33	230/460	Three	39	P15XT4P033	
	3450	0,5	115/230	Single	41	P15XS2P050	
	3450	0,5	230/460	Three	33	P15XT2P050	
	PLASTECH 20	1140	0,33	115/230	Single	56	P20X56P033
1725		0,33	115/230	Single	48	P20X54P033	
1725		0,33	230/460	Three	42	P20XT4P033	
3450		1	115/230	Single	43	P20XS2P100	
3450		1,5	115/230	Single	43	P20XS2P150	
3450		1	230/460	Three	63	P20XT2P100	
3450		1,5	230/460	Three	63	P20XT2P150	
PLASTECH 25		1140	0,33	115/230	Single	59	P25X56P033
	1725	0,5	115/230	Single	61	P25X54P050	
	1725	0,5	230/460	Three	51	P25XT4P050	
	1725	0,75	230/460	Three	51	P25XT4P075	
	3450	3	230/460	Three	85	P25XT2P300	
	3450	4	230/460	Three	85	P25XT2P400	
	PLASTECH 30	1140	0,75	115/230	Single	89	P30X56P075
		1140	0,75	230/460	Three	84	P30XT6P075
1725		1,5	115/230	Single	86	P30X54P150	
1725		1,5	230/460	Three	80	P30XT4P150	
PLASTECH 35	1140	3	230/460	Three	214	P35XT6P300	
	1725	7,5	230/460	Three	219	P35XT4P750	
	1725	10	230/460	Three	219	P35XT4P1000	

Exploded view



PLASTEC 15

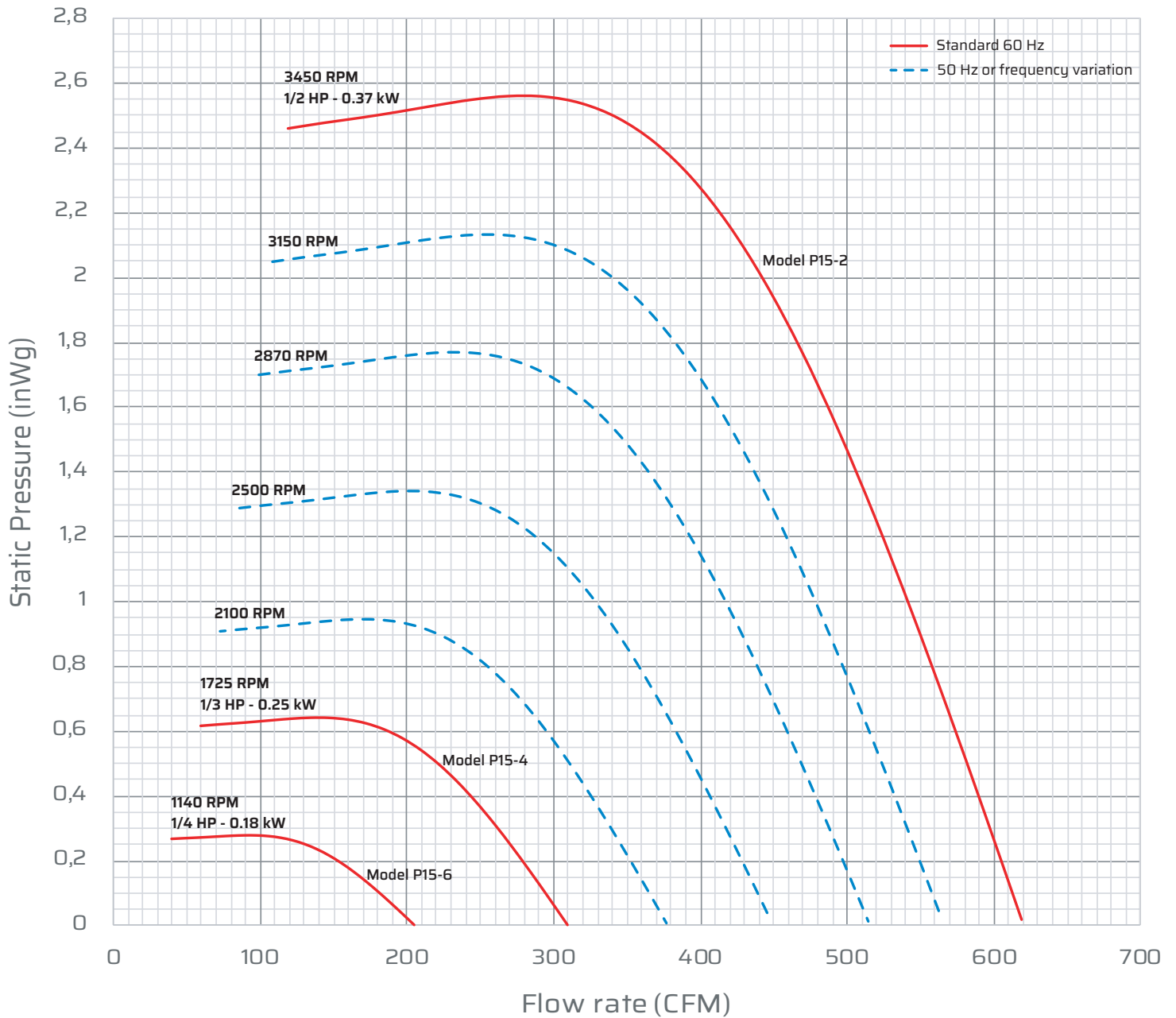


* Pictures and dimensions non-contractual

Dimensional data (inches)																
Metal stand is optional - Motor size may vary upon model																
A	B	C	Ø D	E	F	G	H	L	M	P	Y	Y ₁	Z	X	X ₁	X ₂
6.69	9.45	7.99	4.92	3.94	1.26	4.53	1.18	2.76	3.15	14.17	7.09	6.30	13.39	9.45	2.80	12.24

Discharge positions - View from inlet side							
CCW 360	CCW 45	CCW 90	CCW 135	CCW 180	CCW 225	CCW 270	CCW 315
CW 360	CW 45	CW 90	CW 135	CW 180	CW 225	CW 270	CW 315

PLASTEC 15

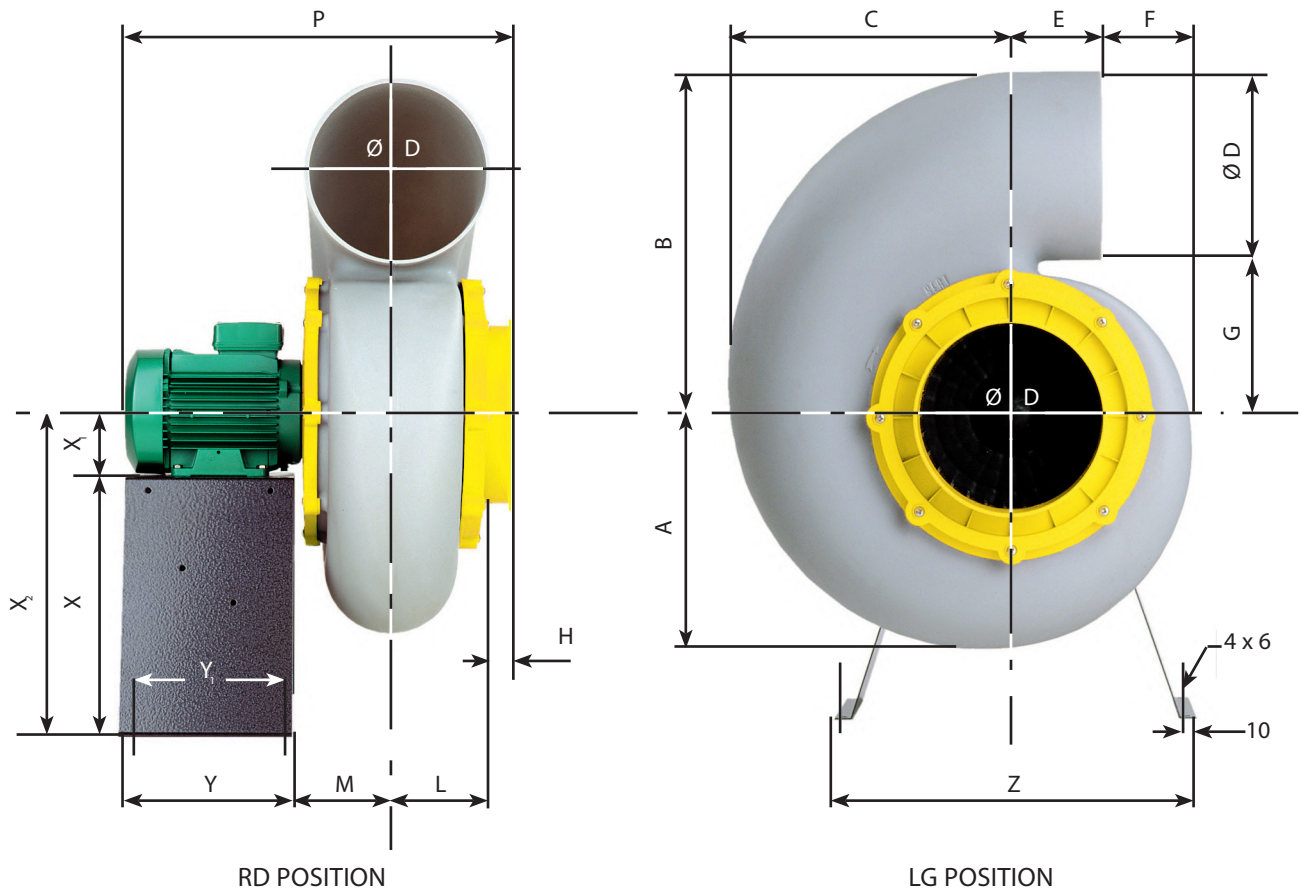


Inlet sound

	Q _v	SP	L _{wA}	L _{pA} *	Octave band (Hz)							
RPM	(CFM)	(inWg)	dB(A)	dB(A)	63	125	250	500	1000	2000	4000	8000
1725	171	0.6	70	50	86	80	75	68	63	51	45	36
3450	343	2.4	85	65	101	95	90	83	78	67	61	53

















* Acoustic pressure L_p at 10 feet - Outlet acoustic data available on request

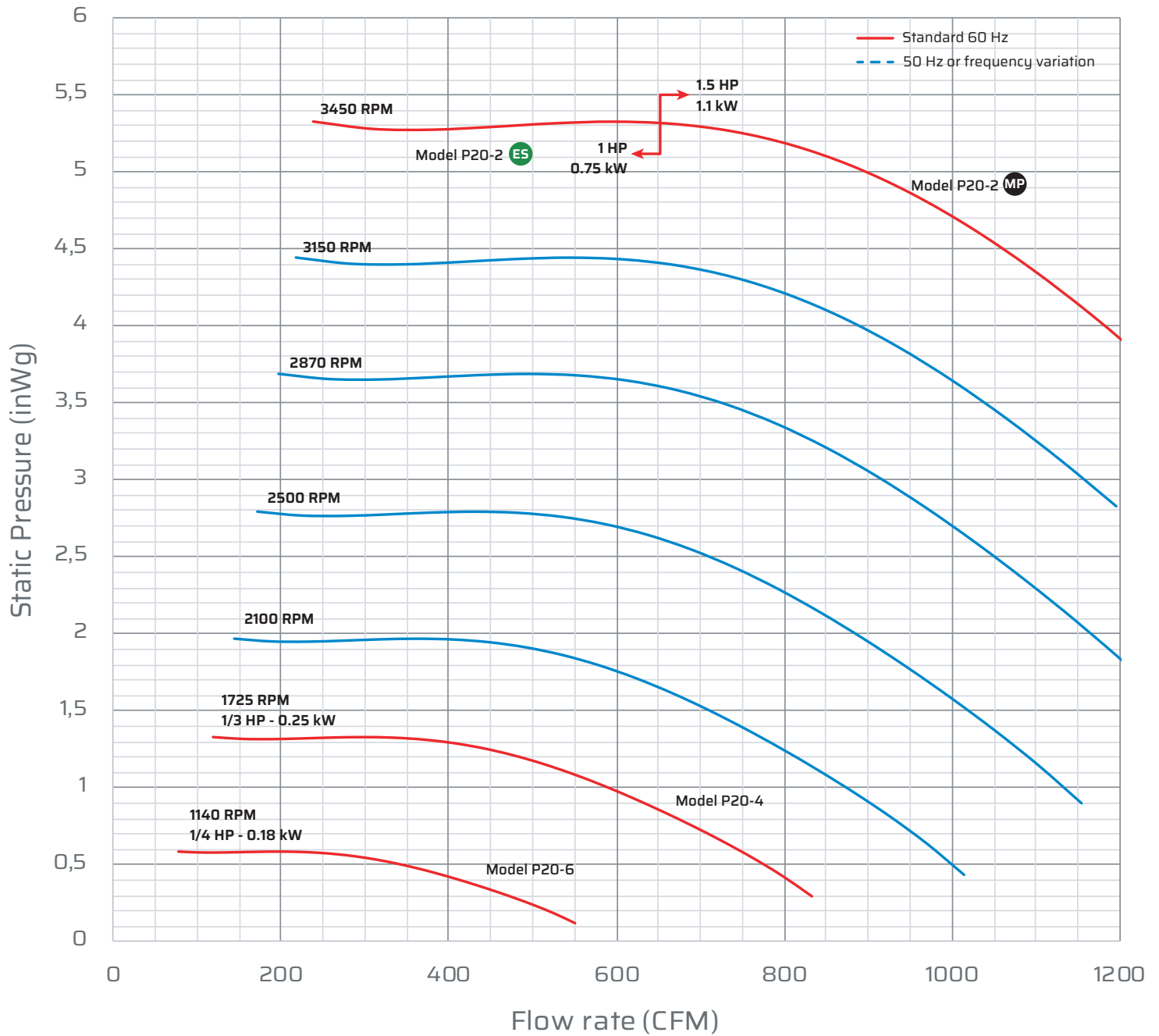
PLASTEC 20



* Pictures and dimensions non-contractual

Dimensional data																
Metal stand is optional - Motor size may vary upon model																
A	B	C	Ø D	E	F	G	H	L	M	P	Y	Y ₁	Z	X	X ₁	X ₂
8.19	11.93	9.45	6.30	3.94	2.24	5.63	1.26	3.31	3.70	15.35	7.09	6.30	13.39	9.45	2.80	12.24

Discharge positions - View from inlet side							
							
CCW 360	CCW 45	CCW 90	CCW 135	CCW 180	CCW 225	CCW 270	CCW 315
							
CW 360	CW 45	CW 90	CW 135	CW 180	CW 225	CW 270	CW 315



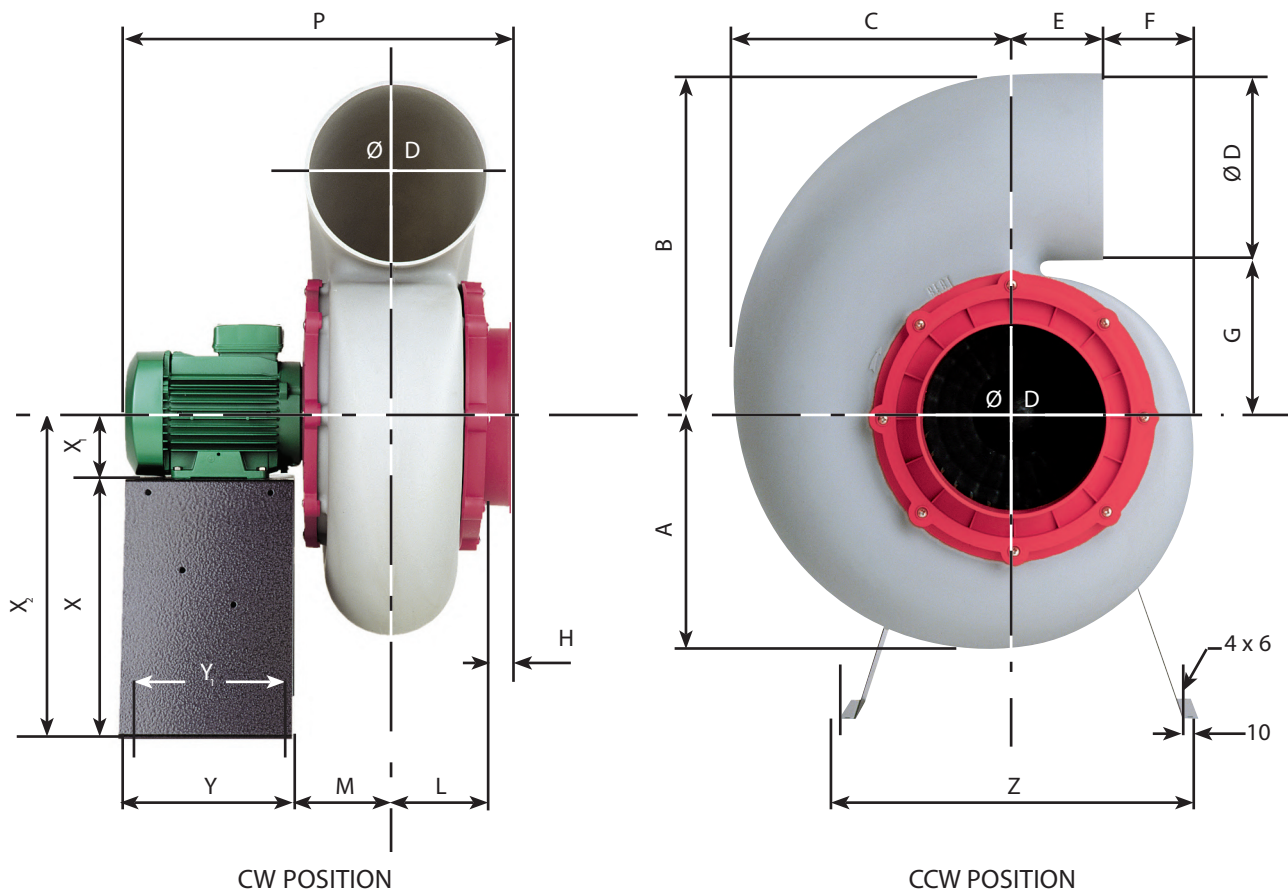
ES Energy saving model
MP Maximum power model

Inlet sound

RPM	Q _v (CFM)	SP (inWg)	LwA dB(A)	LpA * dB(A)	Octave band (Hz)							
					63	125	250	500	1000	2000	4000	8000
1725	531	1	80	59	97	79	84	77	70	59	56	50
3450	1060	4.2	95	74	112	95	99	92	85	74	71	65

* Acoustic pressure Lp at 10 feet - Outlet acoustic data available on request

PLASTECH 25

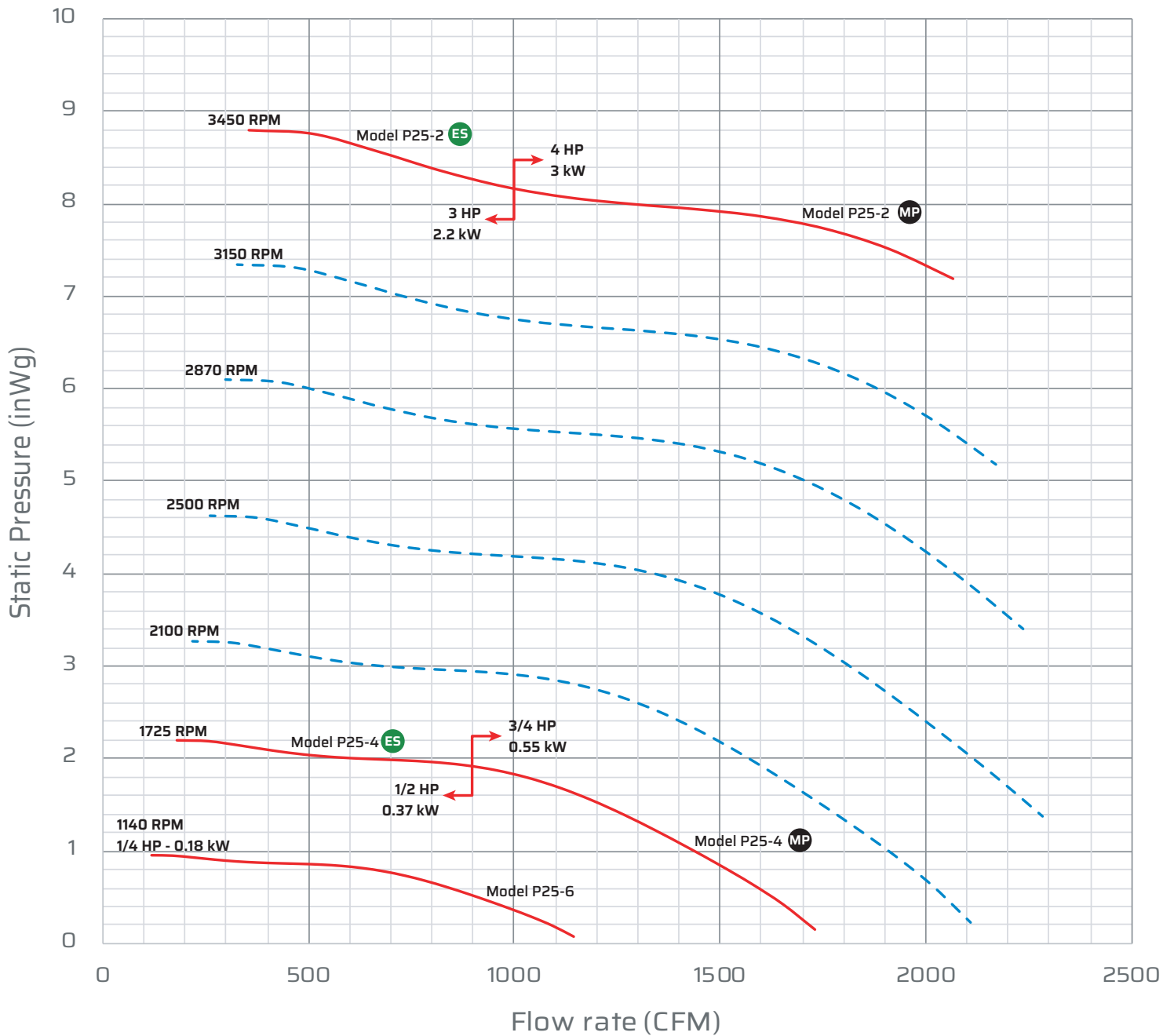


* Pictures and dimensions non-contractual

Dimensional data																
Metal stand is optional - Motor size may vary upon model																
A	B	C	ØD	E	F	G	H	L	M	P	Y	Y ₁	Z	X	X ₁	X ₂
9.76	14.37	12.20	7.87	4.06	3.62	6.50	1.38	3.74	4.13	20.28	7.09	6.30	16.54	11.81	3.54	15.35

Discharge positions - View from inlet side							
CCW 360	CCW 45	CCW 90	CCW 135	CCW 180	CCW 225	CCW 270	CCW 315
CW 360	CW 45	CW 90	CW 135	CW 180	CW 225	CW 270	CW 315

PLASTEC 25



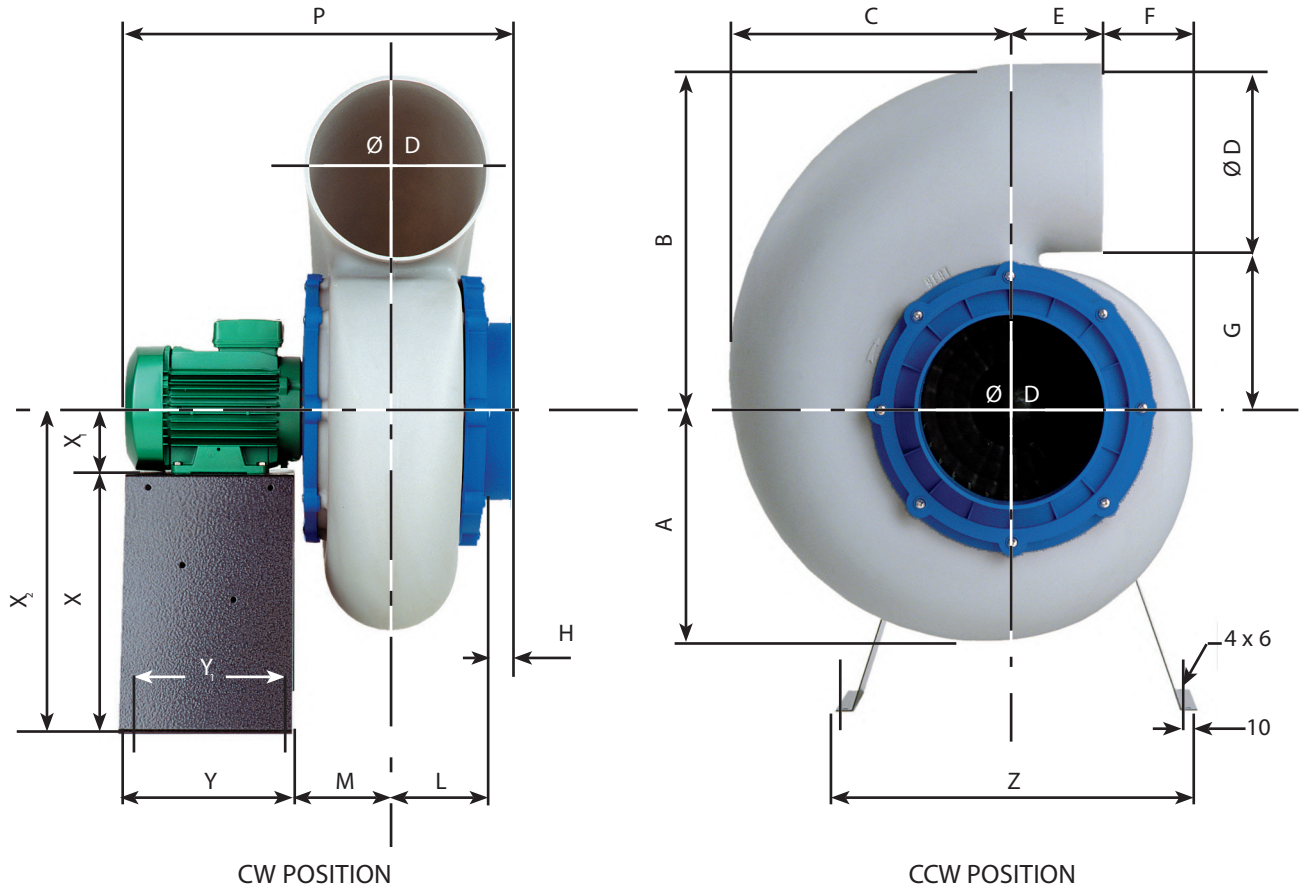
● ES Energy saving model
● MP Maximum power model

Inlet sound

	Q _v	SP	L _{wA}	L _{pA} *	Octave band (Hz)							
RPM	(CFM)	(inWg)	dB(A)	dB(A)	63	125	250	500	1000	2000	4000	8000
1725	930	1.82	81	61	104	85	85	79	73	65	62	56
3450	1860	7.31	96	76	119	100	100	94	88	80	77	72

* Acoustic pressure L_p at 10 feet - Outlet acoustic data available on request

PLASTEC 30

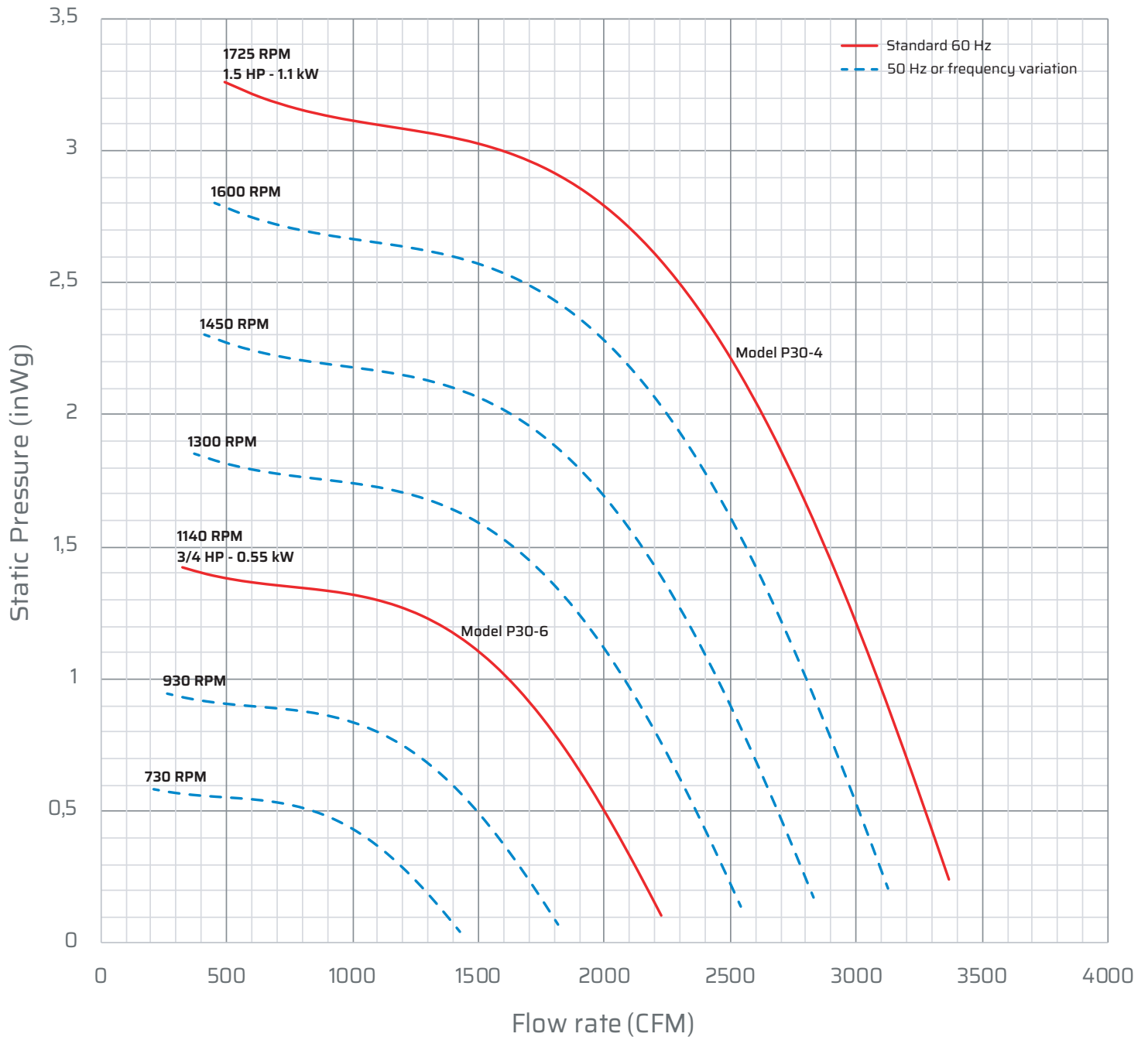


* Pictures and dimensions non-contractual

Dimensional data																
Metal stand is optional - Motor size may vary upon model																
A	B	C	Ø D	E	F	G	H	L	M	P	Y	Y ₁	Z	X	X ₁	X ₂
11.81	17.72	14.69	9.84	4.61	4.41	7.80	1.38	4.33	4.72	21.26	9.45	8.66	18.11	14.57	3.54	18.11

Discharge positions - View from inlet side							
CCW 360	CCW 45	CCW 90	CCW 135	CCW 180	CCW 225	CCW 270	CCW 315
CW 360	CW 45	CW 90	CW 135	CW 180	CW 225	CW 270	CW 315

PLASTEC 30

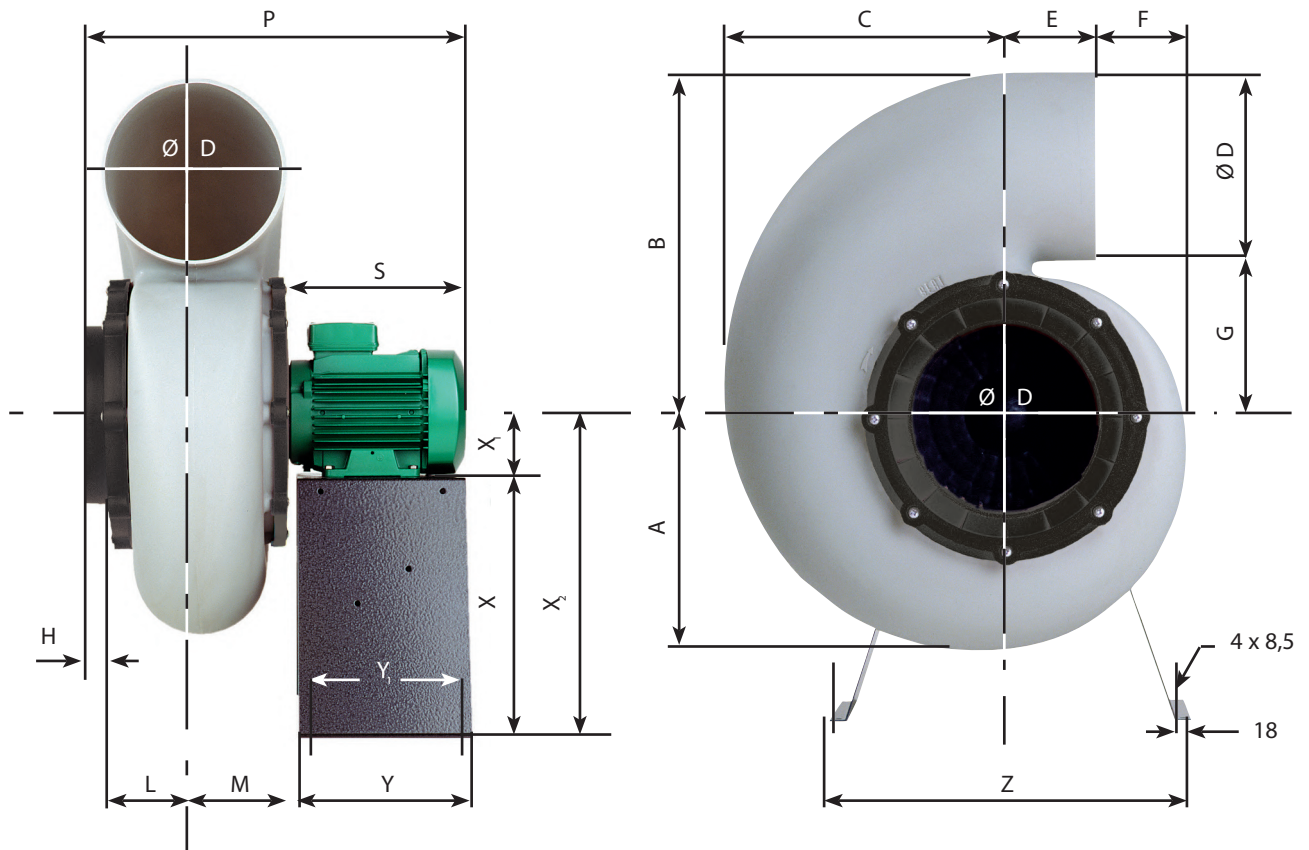


Inlet sound

	Q _v	SP	L _{wA}	L _{pA} *	Octave band (Hz)							
RPM	(CFM)	(inWg)	dB(A)	dB(A)	63	125	250	500	1000	2000	4000	8000
1140	1146	1.24	76	56	91	86	76	73	70	66	61	56
1725	1734	2.84	85	65	100	95	85	82	79	75	70	65

* Acoustic pressure L_p at 10 feet - Outlet acoustic data available on request

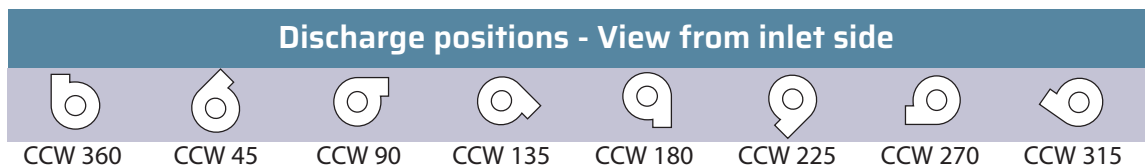
PLASTEC 35



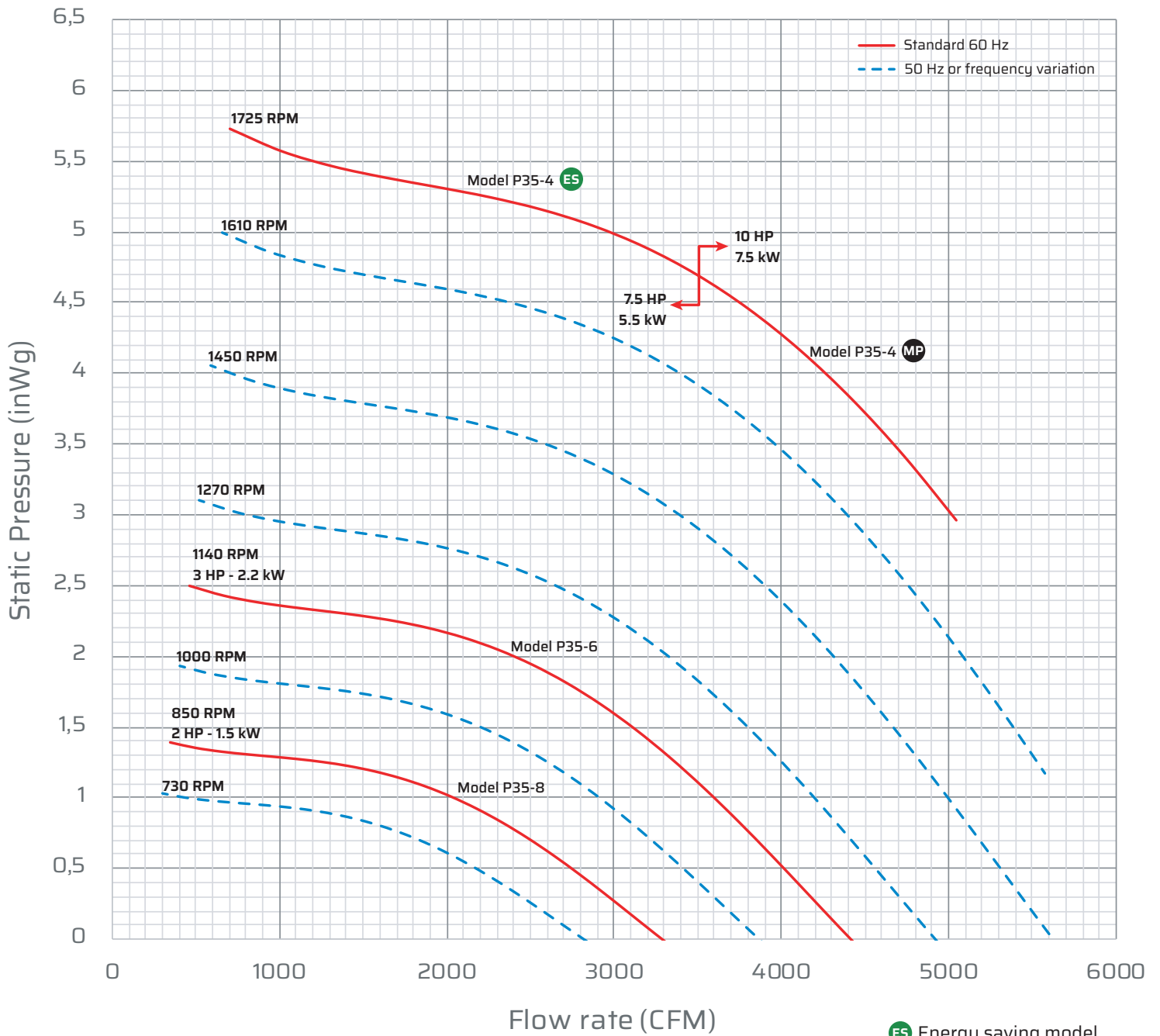
CCW POSITION ONLY

* Pictures and dimensions non-contractual

Dimensional data																	
Metal stand is optional - Motor size may vary upon model																	
A	B	C	Ø D	E	F	G	H	L	M	P	S	Y	Y ₁	Z	X	X ₁	X ₂
14.57	22.44	17.72	12.40	5.12	6.69	10.04	2.36	5.91	6.69	32.36	17.01	13.78	12.36	23.62	18.43	5.20	23.62



PLASTEC 35

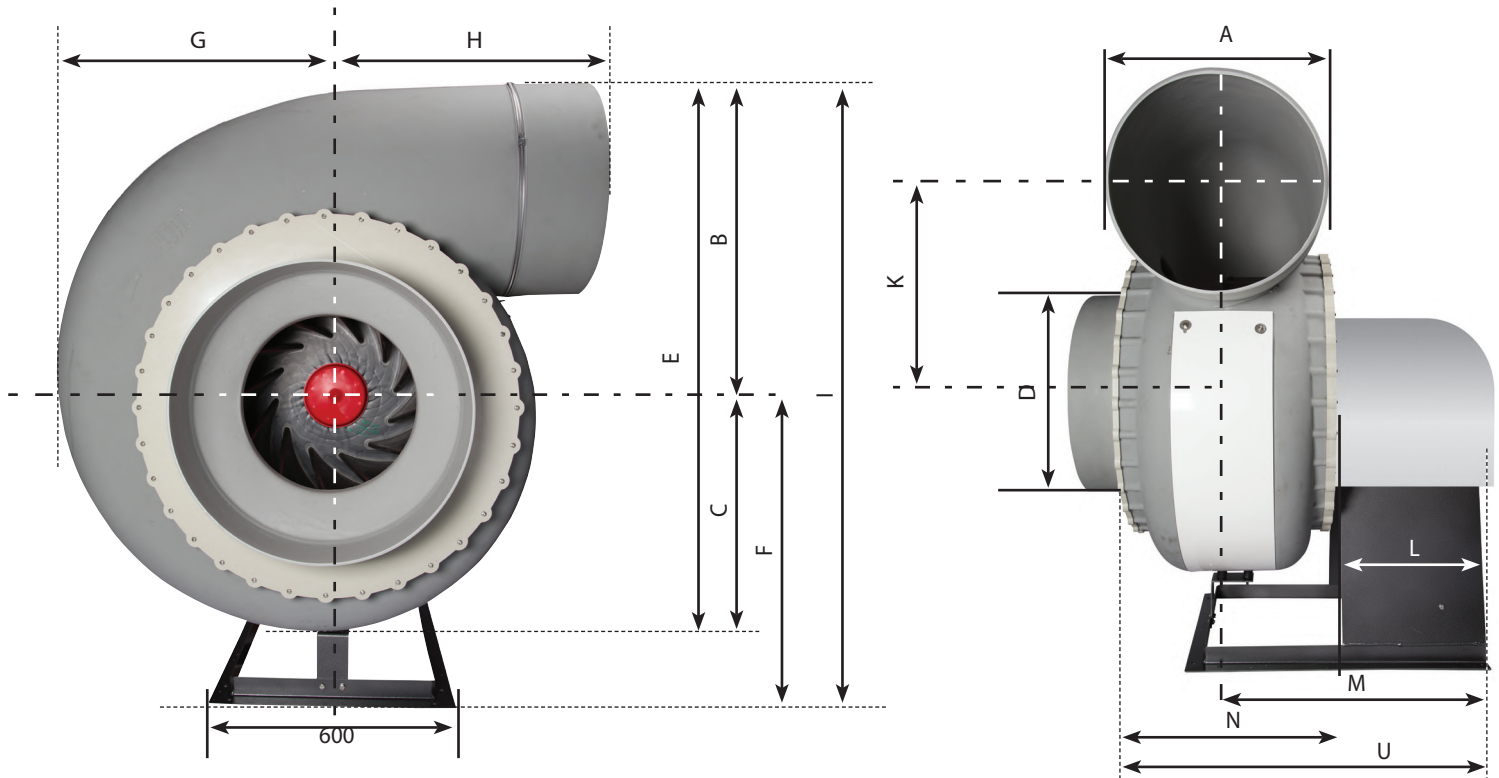


Inlet sound

	Q _v	SP	L _w A	L _p A *	Octave band (Hz)							
RPM	(CFM)	(inWg)	dB(A)	dB(A)	63	125	250	500	1000	2000	4000	8000
1140	2720	1.75	84	63	90	93	84	80	77	75	72	66
1725	4118	4	93	72	99	102	93	89	86	84	81	75

* Acoustic pressure L_p at 10 feet - Outlet acoustic data available on request

PLASTEC 50



Includes: Protection plate around the housing and Metal stand

CCW POSITION ONLY

* Pictures and dimensions non-contractual

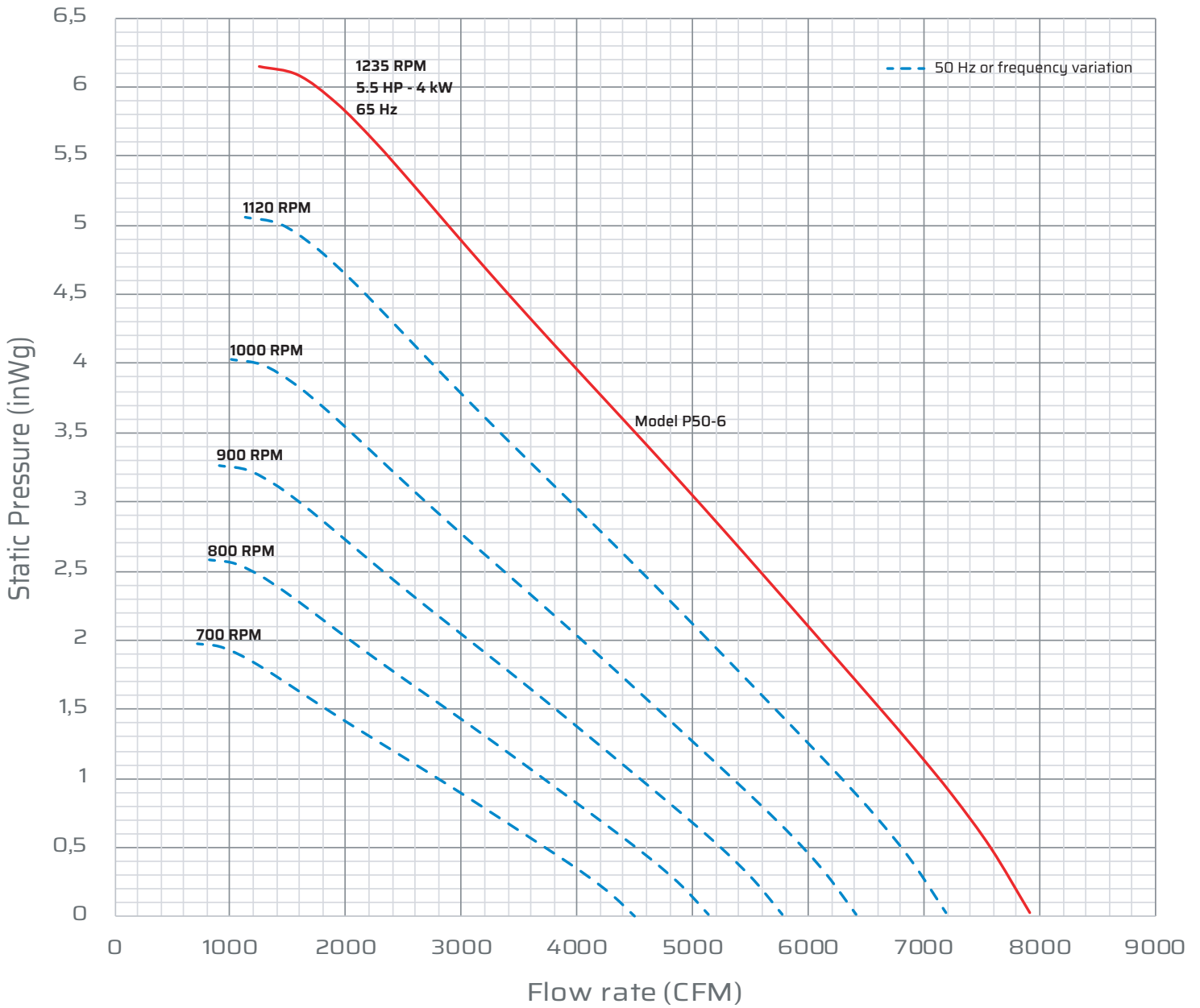
Dimensional data															
Metal stand is optional - Motor size may vary upon model															
A	D	B	C	E	F	G	H	I	I	K+F	K	L	M	N	U
19.69	23.62	30.12	21.65	51.77	29.13	25.98	24.02	53.15	59.25	49.41	20.28	15.75	28.15	24.41	40.16



CCW 360

CCW 90

PLASTEC 50

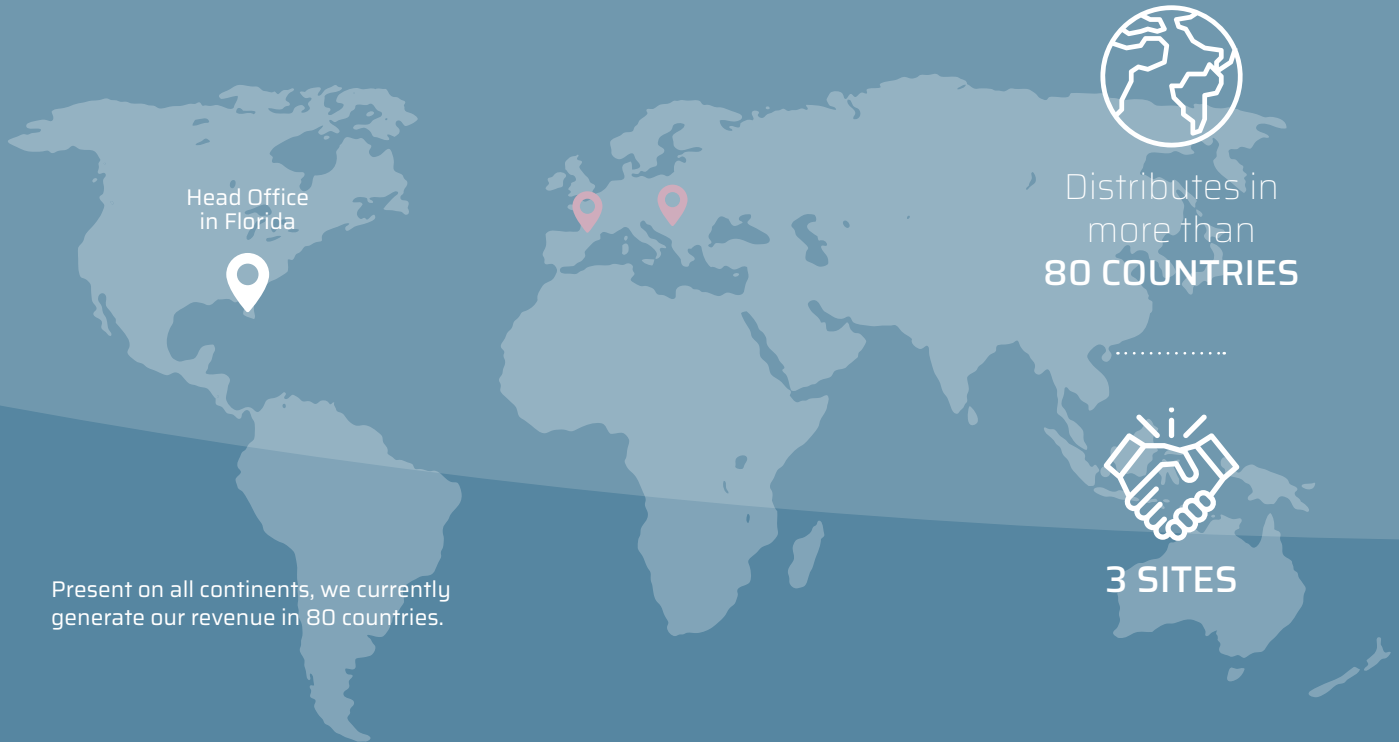


Inlet sound

RPM	Q _v (CFM)	SP (inWg)	L _{wA} dB(A)	L _{pA} * dB(A)	Octave band (Hz)							
					63	125	250	500	1000	2000	4000	8000
900	2900	2	77	57	92	83	80	73	73	63	57	51
	4355	1	78	58	92	83	80	75	73	64	58	53
1235	3984	3.77	84	64	99	90	86	80	80	70	64	58
	5975	2	85	64	99	90	87	82	80	71	65	60

* Acoustic pressure L_p at 10 feet - Outlet acoustic data available on request

A WORLDWIDE PRESENCE



Head Office in Florida



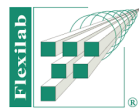
Distributes in more than **80 COUNTRIES**



3 SITES

Present on all continents, we currently generate our revenue in 80 countries.

THEY TRUST US



Plastec Ventilation, Inc.
2012 58th Avenue Cir. E.
Bradenton, FL 34203

Phone : 941-751-7596
Fax : 941-751-7598
Email : contact@plastecventilation.com
 [Plastec Ventilation](#)

www.plastecventilation.com

Member of CETIAT and AMCA

