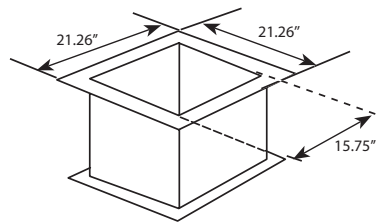
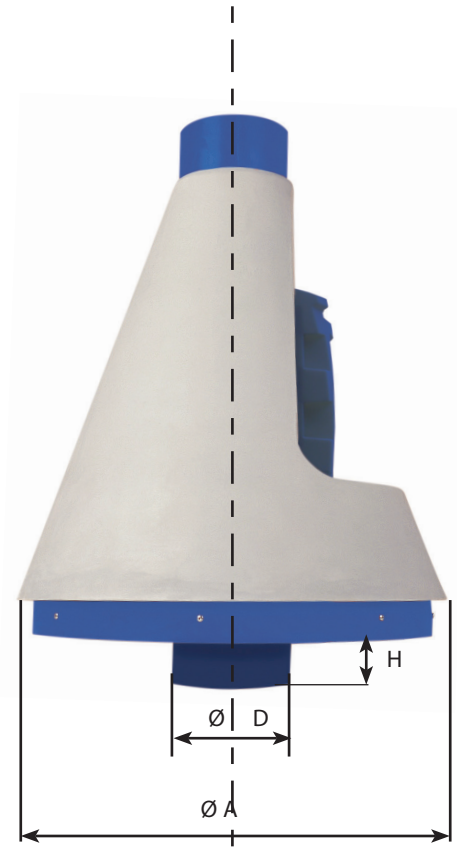
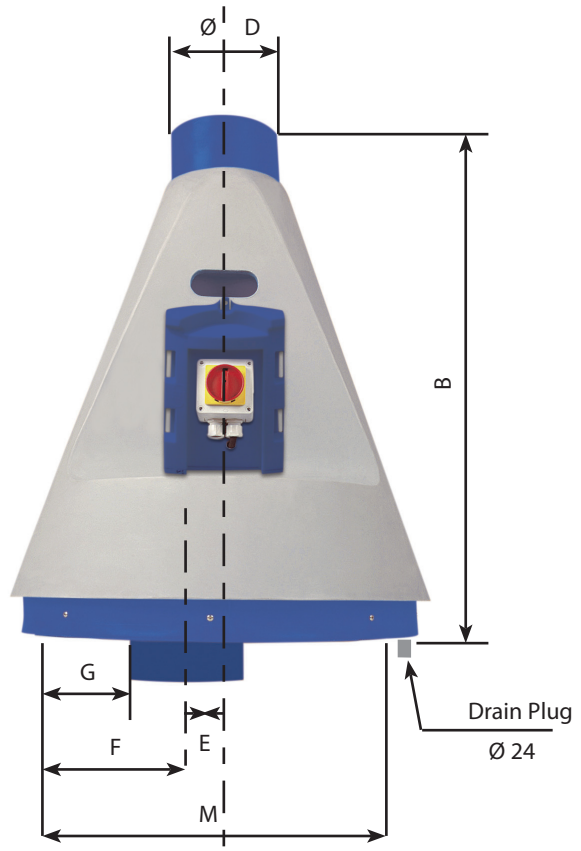
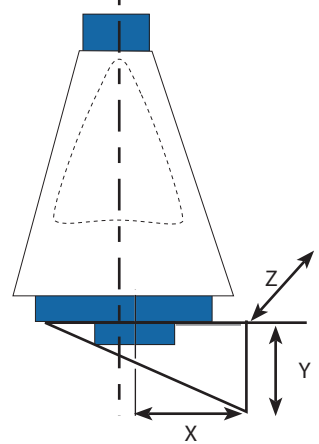




JET 30

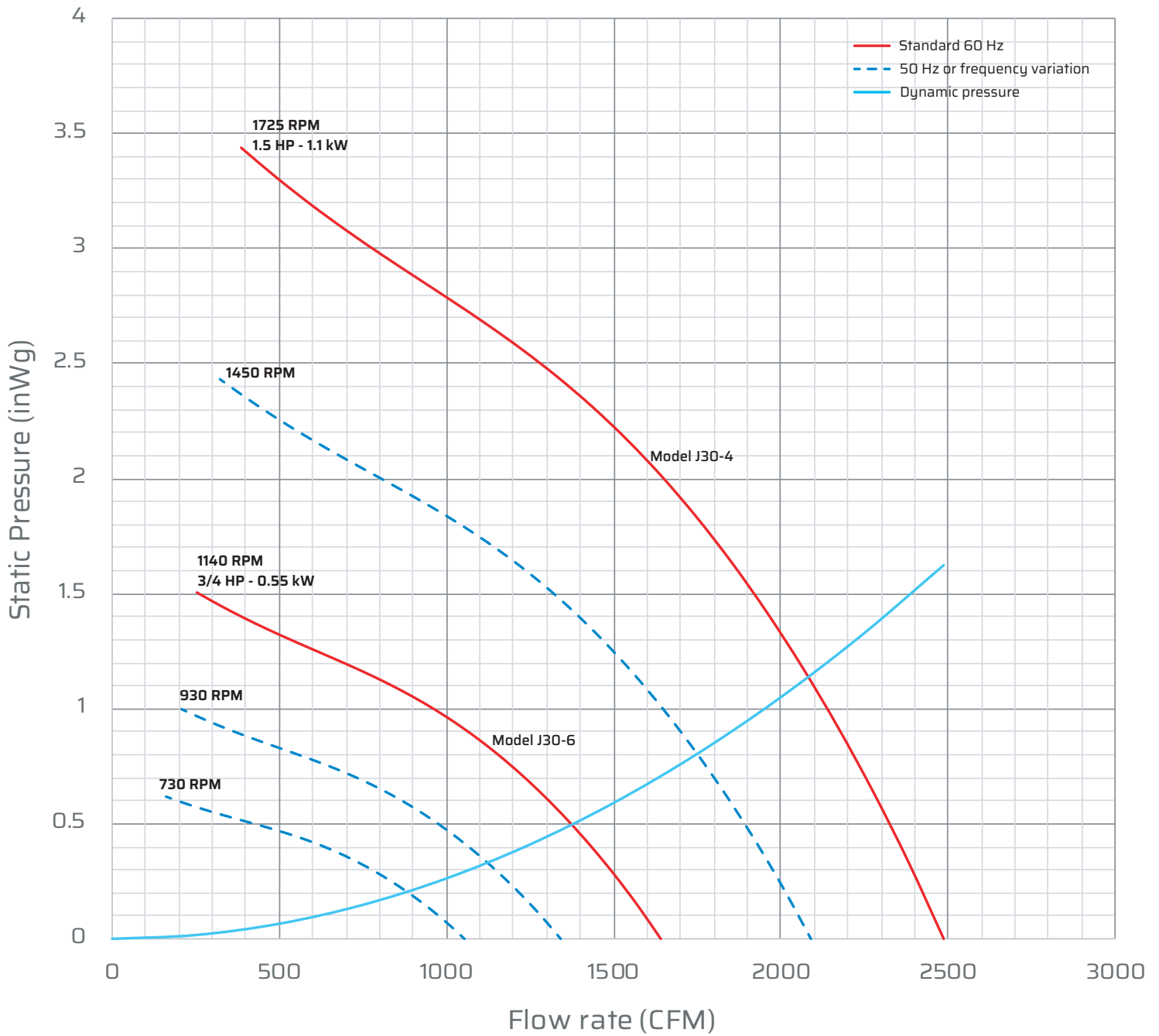


Roof curb sizing for guidance only



Option:
Wall metal bracket

Dimensional data (inches)											
A	B	Ø D	E	F	G	H	G	X	Y	Z	M
34.65	40.94	9.84	2.76	7.87	2.95	2.76	5.12	15.75	15.75	23.62	21.26



Inlet sound

RPM	Q _v (CFM)	SP (inWg)	LwA (dB(A))	LpA * (dB(A))	Octave band (Hz)							
					63	125	250	500	1000	2000	4000	8000
1140	726	1.12	73	53	71	73	69	69	69	66	61	58
1725	1100	2.55	82	62	80	82	78	78	78	75	70	67

* Acoustic pressure Lp at 10 feet - Outlet acoustic data available on request