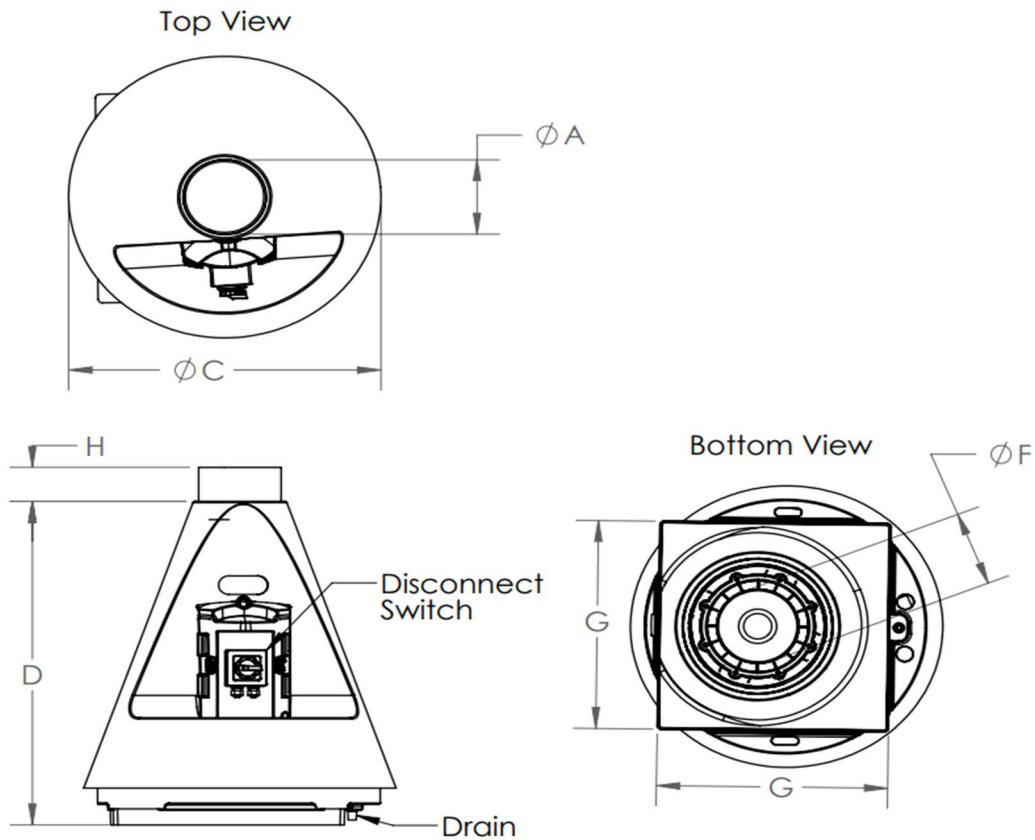




JET 30



Mechanical Data							
	ϕA (OD)	ϕC	D	ϕF (OD)	G	H	Drain ϕ
in	9.83	35.37	37.53	9.83	22.1	3.50	0.94
mm	250	900	955	250	563	89	24

Project Name	
Date	
Engineer/Sales Rep	
Client	
Contractor	

Property rights to all drawings, details, representations, ideas, data, notes and specifications either copies or originals thereof that may be incorporated into the design and/or project are the property solely of Plastec ventilation, inc. Permission for any copies of said copyrighted materials, drawings, details, representations, ideas, data, notes and specifications either originals or copies thereof to be made, copied or altered by any person, business, or corporation may only be authorized with the expressed written permission of Plastec ventilation, inc. By the use of this data, the user acknowledges that he/she has read and understand all of the notes included herein.



JET 30

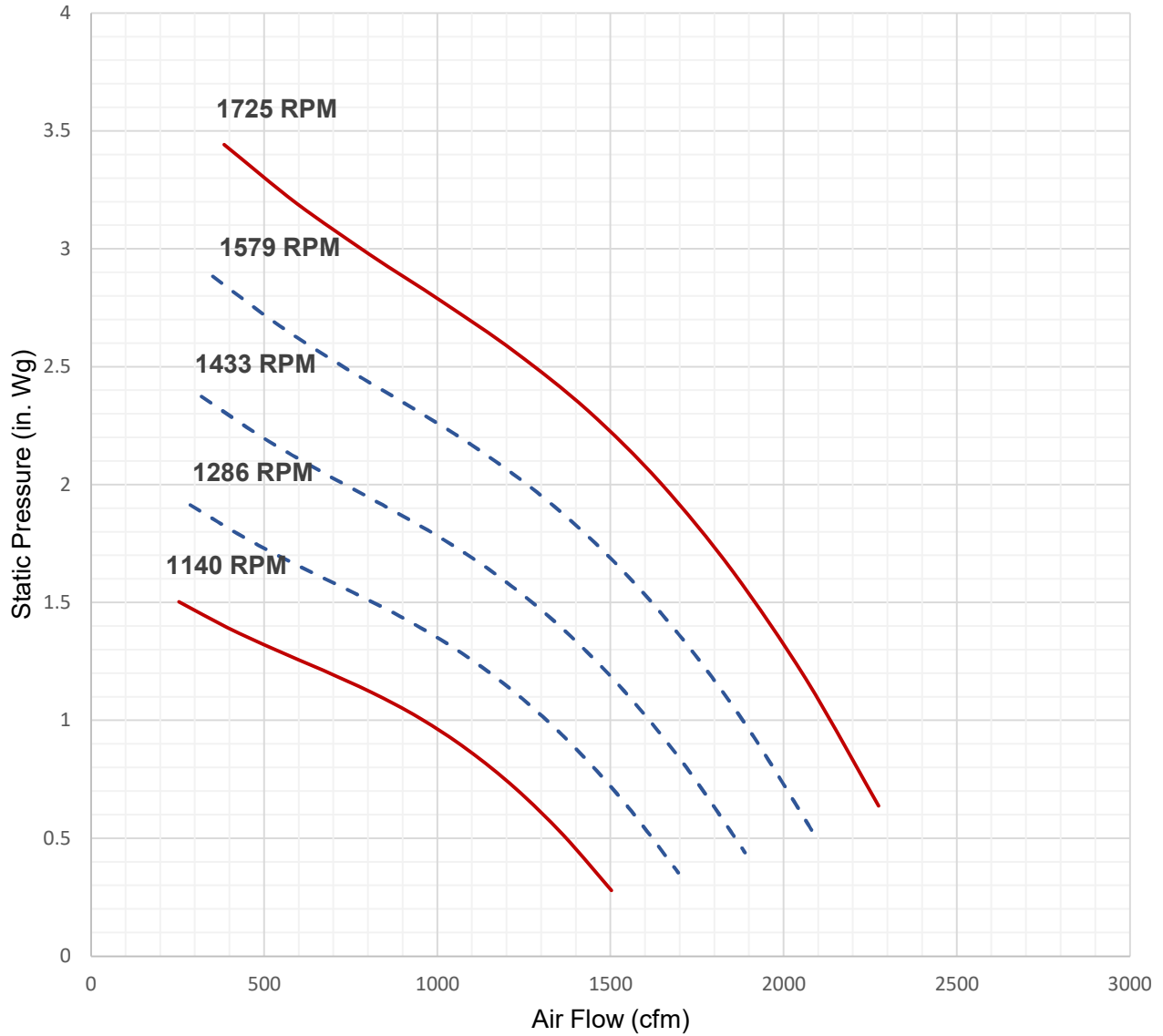
Model Numbers

Model Number	Max. Flow (cfm)	Min. Flow (cfm)	Max. Static (in. Wg)	Min. Static (in. Wg)	Phase	Power (hp)	RPM	Voltage (V)	FLA	Weight (lb)
J30XS4P150	2700	500	3	0.2	Single Phase	1.5	1690	115/208-230	13.1/8.75	64.5
J30XS6P075	1800	500	1.3	0.2	Single Phase	0.75	1130	115/208-230	8.6/3.8	20.5
J30XT6P075	1800	500	1.3	0.2	Three Phase	0.75	1150	208-230/460	2.68/1.61	20.5
J30XT4P150	2700	500	3	0.2	Three Phase	1.5	1750	208-230/460	4.45/2.31	59.0

Property rights to all drawings, details, representations, ideas, data, notes and specifications either copies or originals thereof that may be incorporated into the design and/or project are the property solely of Plastec ventilation, inc. Permission for any copies of said copyrighted materials, drawings, details, representations, ideas, data, notes and specifications either originals or copies thereof to be made, copied or altered by any person, business, or corporation may only be authorized with the expressed written permission of Plastec ventilation, inc. By the use of this data, the user acknowledges that he/she has read and understand all of the notes included herein.



Performance Curve



— Standard RPM

- - - Frequency Variation

Property rights to all drawings, details, representations, ideas, data, notes and specifications either copies or originals thereof that may be incorporated into the design and/or project are the property solely of Plastec ventilation, inc. Permission for any copies of said copyrighted materials, drawings, details, representations, ideas, data, notes and specifications either originals or copies thereof to be made, copied or altered by any person, business, or corporation may only be authorized with the expressed written permission of Plastec ventilation, inc. By the use of this data, the user acknowledges that he/she has read and understand all of the notes included herein.



JET 30

Acoustic Data

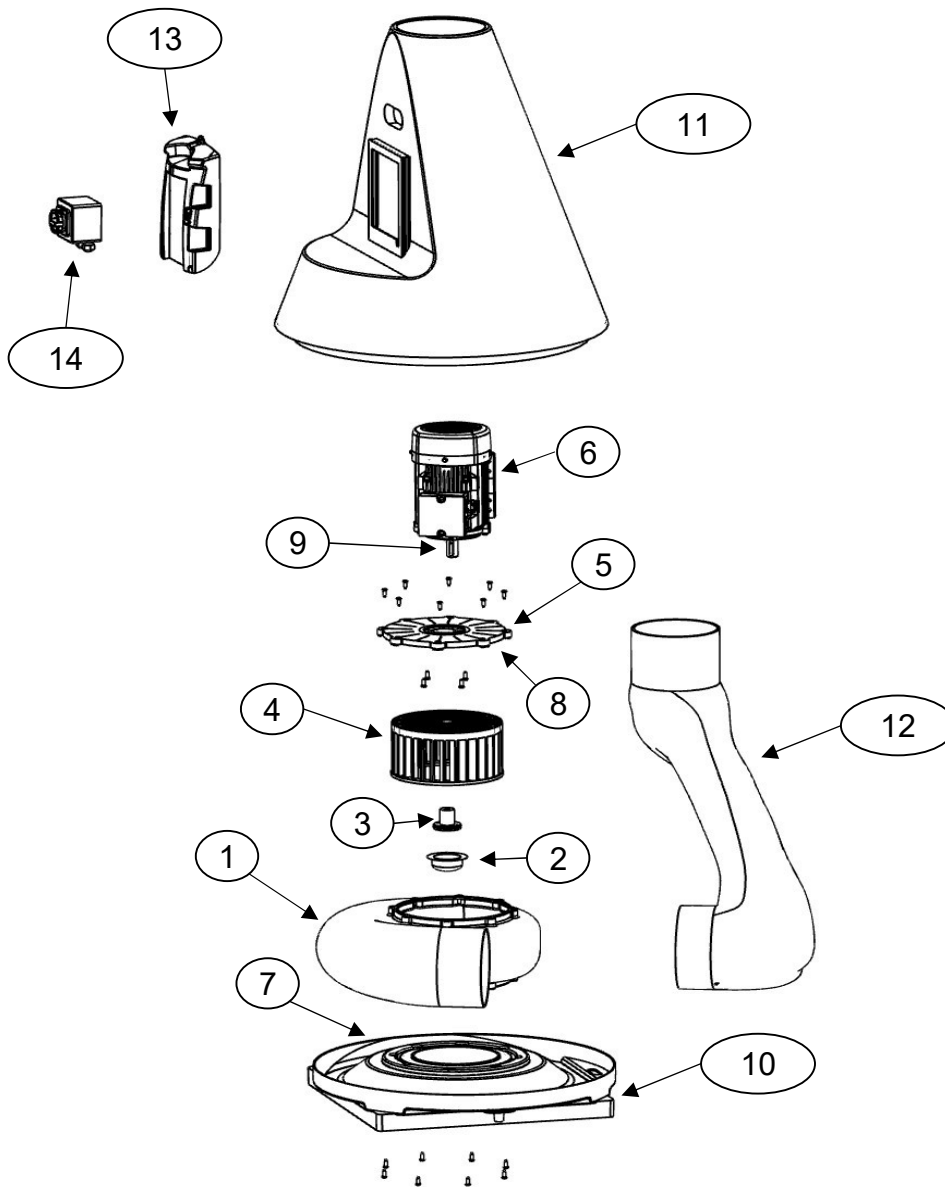
	Qv (cfm)	Ps (inwg)	Octave Band (Hz)								Lw dB	Lw(A) dB(A)	Lp(A) dB(A)	
			63	125	250	500	1000	2000	4000	8000				
1725 RPM	Inlet 1	2481	0.00	80.9	88.8	80	79.6	78.5	74.7	72.5	69.3	96.7	89.0	86.9
	Inlet 2	1946	1.36	78.8	86.8	76.1	76.8	75.8	72.1	69.4	66.5	92.9	85.8	83.8
	Inlet 3	1098	2.55	75.7	78.8	70.7	73.0	73.3	70.1	65.0	62	87.4	82.6	80.5
	Outlet 1	2481	0.00	84.3	87.9	87.3	82.8	78.4	72.8	71.4	65.8	96.8	89.8	87.7
	Outlet 2	1946	1.36	81.6	84.7	83.3	79.1	75.0	70.0	68.1	62.7	92.8	86.0	83.9
	Outlet 3	1098	2.55	78.9	76.4	76.5	73.7	71.6	68.5	64.1	59.1	87.4	81.8	79.8
1140 RPM	Inlet 1	1640	0.00	71.9	79.8	71	70.6	69.5	65.7	63.6	60.3	87.7	80.0	77.9
	Inlet 2	1286	0.60	69.8	77.8	67.1	67.8	66.8	63.1	60.4	57.5	84	76.8	74.8
	Inlet 3	726	1.11	66.7	69.9	61.7	64.0	64.3	61.1	56.0	53	78.4	73.6	71.5
	Outlet 1	1640	0.00	75.3	78.9	78.3	73.8	69.4	63.8	62.4	56.8	87.8	80.8	78.7
	Outlet 2	1286	0.60	72.6	75.7	74.3	70.1	66.0	61.0	59.1	53.7	83.8	77.0	74.9
	Outlet 3	726	1.11	69.9	67.4	67.5	64.7	62.6	59.5	55.1	50.1	78.4	72.8	70.8

Property rights to all drawings, details, representations, ideas, data, notes and specifications either copies or originals thereof that may be incorporated into the design and/or project are the property solely of Plastec ventilation, inc. Permission for any copies of said copyrighted materials, drawings, details, representations, ideas, data, notes and specifications either originals or copies thereof to be made, copied or altered by any person, business, or corporation may only be authorized with the expressed written permission of Plastec ventilation, inc. By the use of this data, the user acknowledges that he/she has read and understand all of the notes included herein.



JET 30

Expanded View



1	Housing
2	Hub Cap
3	Hub
4	Impeller
5	Motor Plate
6	Motor
7	Inlet Gasket
8	Motor Plate Seal
9	Shaft Key
10	Base
11	Cone
12	Exhaust Manifold
13	Door
14	Disconnect Switch

Property rights to all drawings, details, representations, ideas, data, notes and specifications either copies or originals thereof that may be incorporated into the design and/or project are the property solely of Plastec ventilation, inc. Permission for any copies of said copyrighted materials, drawings, details, representations, ideas, data, notes and specifications either originals or copies thereof to be made, copied or altered by any person, business, or corporation may only be authorized with the expressed written permission of Plastec ventilation, inc. By the use of this data, the user acknowledges that he/she has read and understand all of the notes included herein.