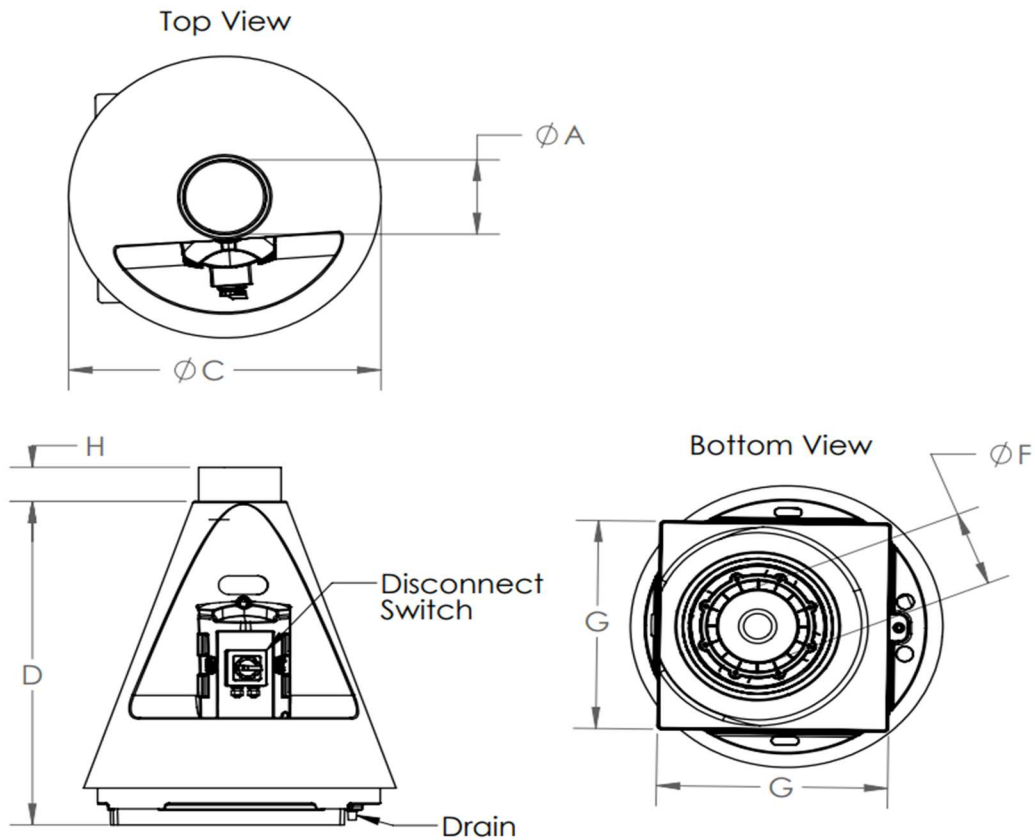




JET 25



Mechanical Data							
	ϕA (OD)	ϕC	D	ϕF (OD)	G	H	Drain ϕ
in	7.86	29.71	37.73	7.86	22.0	3.58	0.94
mm	200	756	960	200	560	91	24

Project Name	
Date	
Engineer/Sales Rep	
Client	
Contractor	

Property rights to all drawings, details, representations, ideas, data, notes and specifications either copies or originals thereof that may be incorporated into the design and/or project are the property solely of Plastec ventilation, inc. Permission for any copies of said copyrighted materials, drawings, details, representations, ideas, data, notes and specifications either originals or copies thereof to be made, copied or altered by any person, business, or corporation may only be authorized with the expressed written permission of Plastec ventilation, inc. By the use of this data, the user acknowledges that he/she has read and understand all of the notes included herein.



JET 25

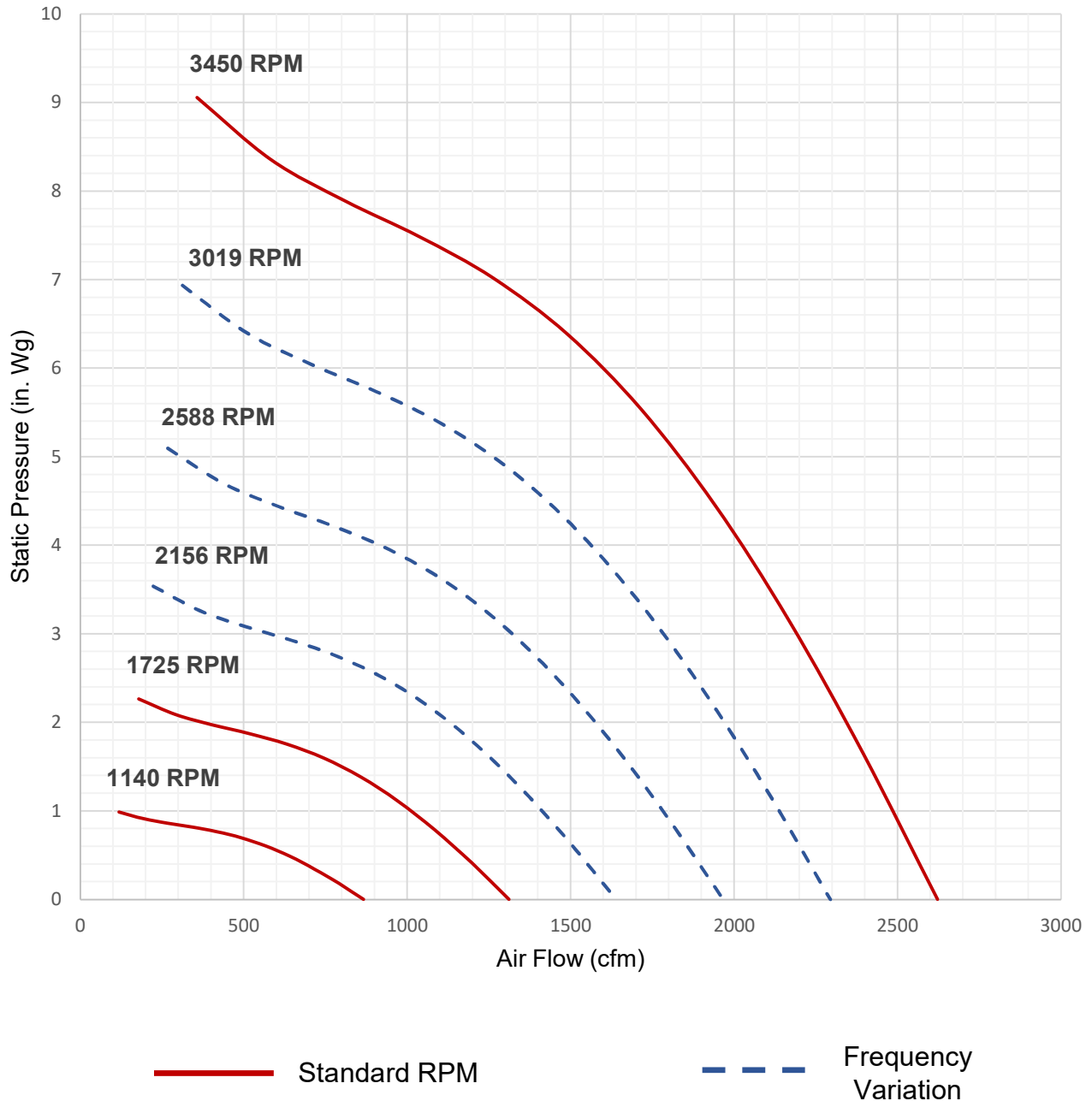
Model Numbers

Model Number	Max. Flow (cfm)	Min. Flow (cfm)	Max. Static (in. Wg)	Min. Static (in. Wg)	Phase	Power (hp)	RPM	Voltage (V)	FLA	Weight (lb)
J25SS4P050	1370	200	2.14	0.15	Single Phase	0.5	1710	115/208-230	5.26/2.73-2.63	31.0
J25SS6P025	900	200	0.92	0.15	Single Phase	0.25	1120	115/208-230	4.16/2.26-2.08	32.5
J25ST4P050	1370	200	2.14	0.15	Three Phase	0.5	1705	208-230/460	1.90-1.78/0.89	28.9
J25ST6P025	900	200	0.92	0.15	Three Phase	0.25	1120	208-230/460	1.33-1.25/0.62	28.1
J25ST2P400	2740	200	8.6	0.15	Three Phase	4	3500	208-230/460	10.7-9.89/4.95	54.5
J25CT4P050	1370	200	2.14	0.15	Three Phase	0.5	1700	575	0.73	28.9
J25CT2P400	2740	200	8.6	0.15	Three Phase	4	3490	575	3.96	54.5

Property rights to all drawings, details, representations, ideas, data, notes and specifications either copies or originals thereof that may be incorporated into the design and/or project are the property solely of Plastec ventilation, inc. Permission for any copies of said copyrighted materials, drawings, details, representations, ideas, data, notes and specifications either originals or copies thereof to be made, copied or altered by any person, business, or corporation may only be authorized with the expressed written permission of Plastec ventilation, inc. By the use of this data, the user acknowledges that he/she has read and understand all of the notes included herein.



Performance Curve



Property rights to all drawings, details, representations, ideas, data, notes and specifications either copies or originals thereof that may be incorporated into the design and/or project are the property solely of Plastec ventilation, inc. Permission for any copies of said copyrighted materials, drawings, details, representations, ideas, data, notes and specifications either originals or copies thereof to be made, copied or altered by any person, business, or corporation may only be authorized with the expressed written permission of Plastec ventilation, inc. By the use of this data, the user acknowledges that he/she has read and understand all of the notes included herein.



JET 25

Acoustic Data

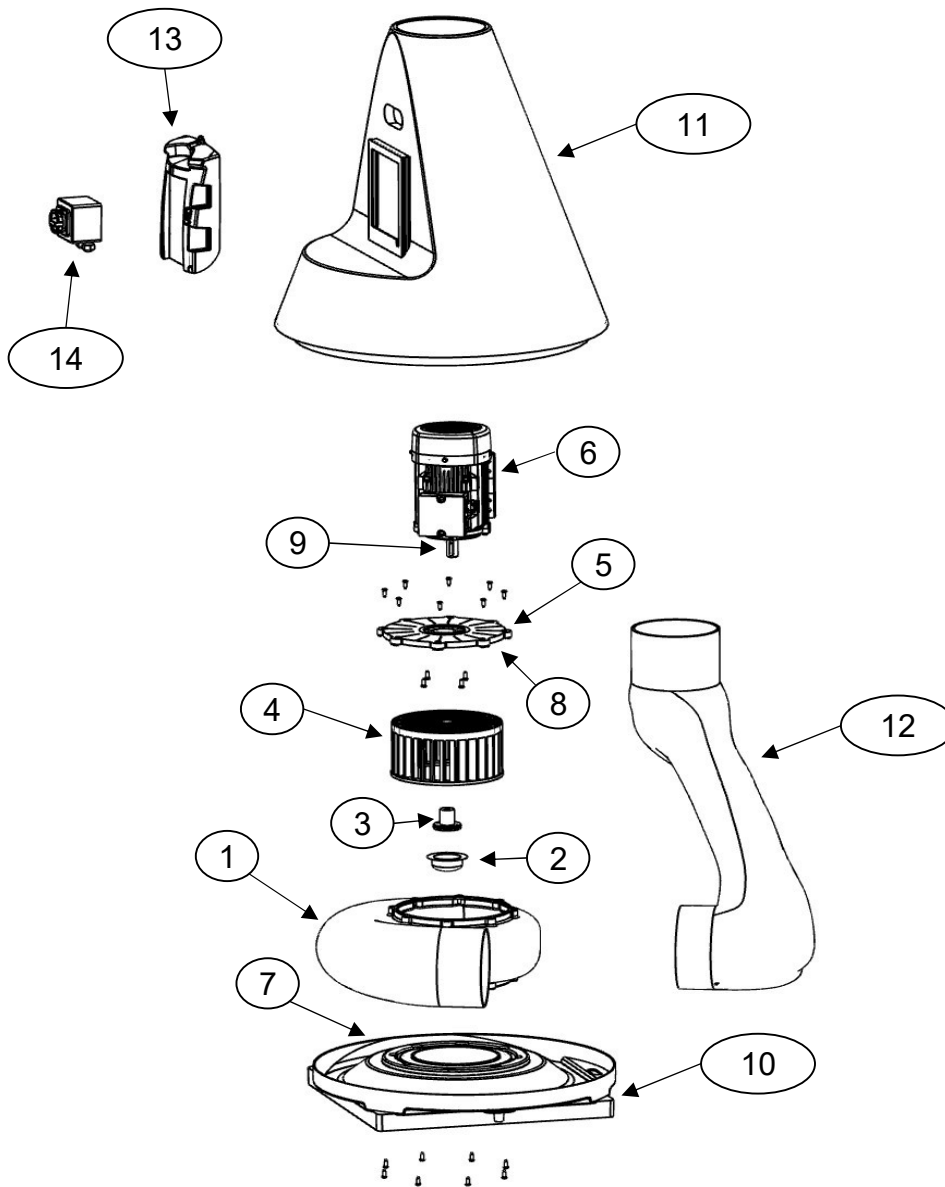
		Qv	Ps	Octave Band (Hz)								Lw	Lw(A)	Lp(A)
		(cfm)	(inwg)	63	125	250	500	1000	2000	4000	8000	dB	dB(A)	dB(A)
3450 RPM	Inlet 1	2619	0.00	87.6	98.8	95.1	89.9	87.9	80.7	82.8	85.6	108	98.8	96.8
	Inlet 2	1956	4.20	84.6	96.5	89.6	85.3	84.2	77.6	76.0	73.1	103	94.4	92.4
	Inlet 3	905	7.37	84.4	88.0	83.6	80.7	81.4	76.3	72.8	68.5	98	90.9	88.9
	Outlet 1	2619	0.00	97.6	96.2	101	94.8	86.3	79.8	78.8	75.2	107	99.1	97.0
	Outlet 2	1956	4.20	95.7	91.9	95.1	89.8	81.8	76.9	74.5	68.3	103	94.0	92.0
	Outlet 3	905	7.37	93.8	82.7	87.5	86.4	78.7	75.6	71.7	64.9	98.4	90.1	88.0
1725 RPM	Inlet 1	1309	0.00	72.5	83.7	80	74.8	72.8	65.7	67.8	70.5	92.7	83.8	81.7
	Inlet 2	978	1.05	69.6	81.4	74.5	70.3	69.2	62.6	60.9	58	88.4	79.4	77.3
	Inlet 3	453	1.84	69.4	73.0	68.5	65.7	66.3	61.2	57.7	53.4	83	75.9	73.8
	Outlet 1	1309	0.00	82.6	81.2	85.9	79.7	71.3	64.7	63.7	60.2	91.8	84.0	81.9
	Outlet 2	978	1.05	80.7	76.8	80.1	74.7	66.7	61.8	59.4	53.3	87.6	79.0	76.9
	Outlet 3	453	1.84	78.8	67.6	72.5	71.4	63.6	60.5	56.7	49.8	83.3	75.0	72.9
1140 RPM	Inlet 1	865	0.00	63.5	74.7	71	65.8	63.8	56.7	58.8	61.5	83.7	74.8	72.7
	Inlet 2	646	0.46	60.6	72.4	65.5	61.3	60.2	53.6	51.9	49	79.4	70.4	68.3
	Inlet 3	299	0.80	60.4	64.0	59.5	56.7	57.3	52.2	48.7	44.4	74	66.9	64.8
	Outlet 1	865	0.00	73.6	72.2	76.9	70.7	62.3	55.7	54.7	51.2	82.8	75.0	73.0
	Outlet 2	646	0.46	71.7	67.8	71.1	65.7	57.8	52.8	50.4	44.3	78.6	70.0	67.9
	Outlet 3	299	0.80	69.8	58.6	63.5	62.4	54.6	51.5	47.7	40.8	74.3	66.0	64.0

Property rights to all drawings, details, representations, ideas, data, notes and specifications either copies or originals thereof that may be incorporated into the design and/or project are the property solely of Plastec ventilation, inc. Permission for any copies of said copyrighted materials, drawings, details, representations, ideas, data, notes and specifications either originals or copies thereof to be made, copied or altered by any person, business, or corporation may only be authorized with the expressed written permission of Plastec ventilation, inc. By the use of this data, the user acknowledges that he/she has read and understand all of the notes included herein.



JET 25

Expanded View



1	Housing
2	Hub Cap
3	Hub
4	Impeller
5	Motor Plate
6	Motor
7	Inlet Gasket
8	Motor Plate Seal
9	Shaft Key
10	Base
11	Cone
12	Exhaust Manifold
13	Door
14	Disconnect Switch

Property rights to all drawings, details, representations, ideas, data, notes and specifications either copies or originals thereof that may be incorporated into the design and/or project are the property solely of Plastec ventilation, inc. Permission for any copies of said copyrighted materials, drawings, details, representations, ideas, data, notes and specifications either originals or copies thereof to be made, copied or altered by any person, business, or corporation may only be authorized with the expressed written permission of Plastec ventilation, inc. By the use of this data, the user acknowledges that he/she has read and understand all of the notes included herein.