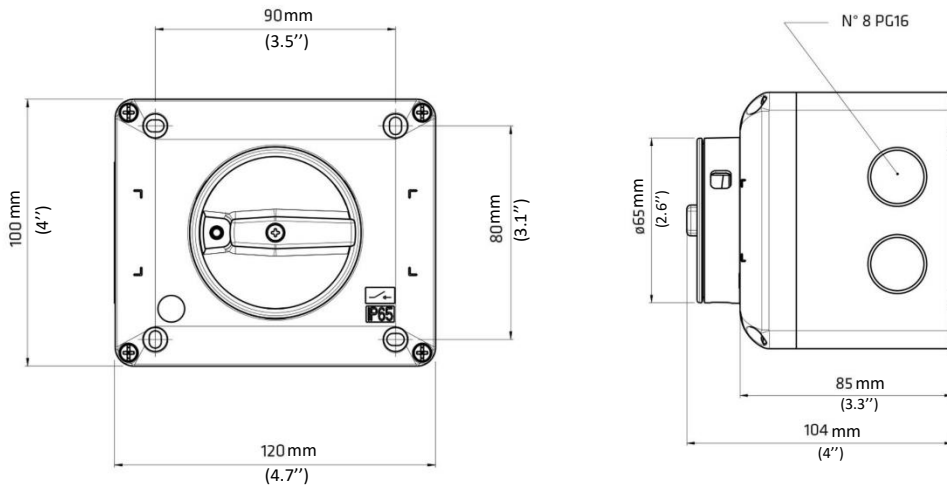




# DISCONNECT SWITCH



## FEATURES

Enclosed motor disconnect switch or rotary disconnect switch with 3 poles can be used with single phase and three phase motors. UL508 Listed with ratings of 600 volts, 32 amps for motors rated from 1.5 HP to 15 Hp. With an IP65 / NEMA 4X rating, suited for outdoor applications, weatherproof. The housing is black with a yellow cover and includes a red lockable handle that can accept up to 3 locks in the 0 to Off position. For secure wiring, the enclosed motor disconnect switch has PG16 cable gland knockouts.

<b>Weight</b>	0.95 lbs
<b>Dimensions (DxWxH)</b>	5 x 4 x 4.5 in
<b>Current rating</b>	32 A
<b>Protection type</b>	NEMA 4X and IP65
<b>Voltage</b>	600 V
<b>Number of poles</b>	3

<b>Project Name</b>	
<b>Date</b>	
<b>Engineer / Sales Rep</b>	
<b>Client</b>	
<b>Contractor</b>	

Property rights to all drawings, details, representations, ideas, data, notes and specifications either copies or originals thereof that may be incorporated into the design and/or project are the property solely of Plastec Ventilation, Inc. Permission for any copies of said copyrighted materials, drawings, details, representations, ideas, data, notes and specifications either originals or copies thereof to be made, copied or altered by any person, business, or corporation may only be authorized with the expressed written permission of Plastec Ventilation, Inc. By the use of this data, the user acknowledges that he/she has read and understand all of the notes included herein.