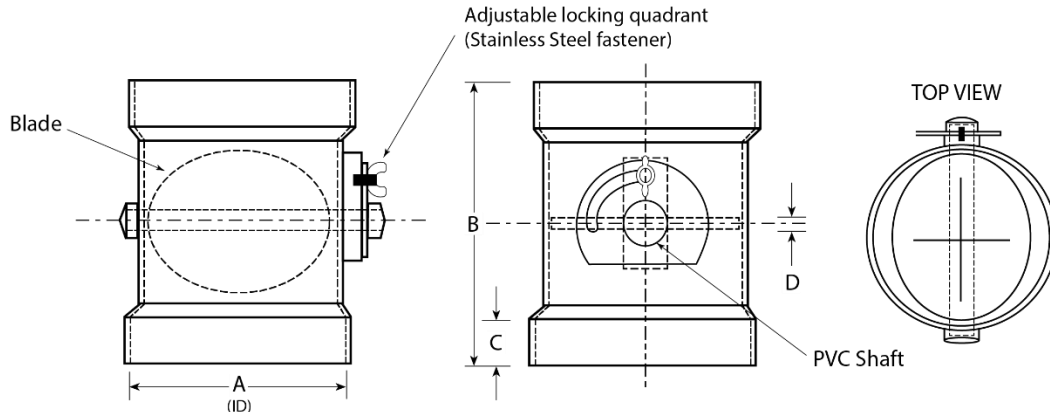




ADJUSTABLE BUTTERFLY DAMPER - Imperial



Model Number	A in (mm)	B in (mm)	C in (mm)	D in (mm)	Weight Lbs (kg)
AD04	4.5 (114.3)	9.5 (241.3)	2 (50.8)	0.187 (4.75)	3 (1.4)
AD06	6.625 (168.3)	9.5 (241.3)	2 (50.8)	0.187 (4.75)	3 (1.4)
AD08	8.625 (219.1)	10.5 (266.7)	2.25 (57.1)	0.187 (4.75)	4 (1.8)
AD10	10.75 (273)	11.75 (298.5)	2.5 (63.5)	0.187 (4.75)	6 (2.7)
AD12	12.75 (323.9)	12.75 (323.9)	2.5 (63.5)	0.187 (4.75)	7 (3.1)



FEATURES

Adjustable butterfly damper made from PVC to withstand acids, alkalis, salts and other corrosive vapors and fumes. Fittings have female ends with slightly larger diameter to press-fit over duct.

- Recommended up to 140°F.
- Locking Hardware: stainless steel
- All PVC internal parts
- Furnished with locking quadrant allowing for permanent position set.
- Allows for less than 5% air-flow restriction.
- Offers an approximate 95% seal.
- 90° damper plate operation
- **Can be installed either vertically or horizontally.**
- Wall thickness: 0.2"

Project Name	
Date	
Engineer / Sales Rep	
Client	
Contractor	

Property rights to all drawings, details, representations, ideas, data, notes and specifications either copies or originals thereof that may be incorporated into the design and/or project are the property solely of Plastec Ventilation, Inc. Permission for any copies of said copyrighted materials, drawings, details, representations, ideas, data, notes and specifications either originals or copies thereof to be made, copied or altered by any person, business, or corporation may only be authorized with the expressed written permission of Plastec Ventilation, Inc. By the use of this data, the user acknowledges that he/she has read and understand all of the notes included herein.