

Small Area Light(70W)



Medium Area Light(100W, 150W, 200W)



Large Area Light(250W, 300W, 350W)



DESCRIPTION

The LEDTPK series is a premium LED area luminaire constructed as a one piece die cast aluminum housing with UV resistant polycarbonate optical lens. This luminaire comes with a 10 year warranty and provides uncompromising versatility and outstanding optical for a wide variety of area and roadway application.

LEDTPK is available in three different sizes small, medium and large with lumen output between 9,000 to 52,150 replacing up to 1500W MH. It also available in Type III, Type IV, Type V optics, different mounting options, photocell, and motion sensors for efficiency and greater energy saving.

APPLICATION

Auto dealerships, parking lots, walkways, and other public area.

PERFORMANCE INFORMATION

Small Area Light		4000K		5000K	
SYSTEM WATTAGE	DIST.TYPE	LUMENS	LPW	LUMENS	LPW
70W	3	9000lm	129lm/W	9000lm	129lm/W
	4	9000lm	129lm/W	9000lm	129lm/W
	5	9500lm	136lm/W	9500lm	136lm/W
Medium Area Light		4000K		5000K	
SYSTEM WATTAGE	DIST.TYPE	LUMENS	LPW	LUMENS	LPW
100W	3	14600lm	146lm/W	14800lm	148lm/W
	4	14100lm	141lm/W	14200lm	142lm/W
	5	14900lm	149lm/W	14900lm	149lm/W
150W	3	19500lm	130lm/W	19700lm	131lm/W
	4	18000lm	120lm/W	18500lm	123lm/W
	5	21000lm	140lm/W	21150lm	141lm/W
200W	3	26000lm	130lm/W	26200lm	131lm/W
	4	24000lm	120lm/W	24500lm	123lm/W
	5	27000lm	135lm/W	27200lm	136lm/W
Large Area Light		4000K		5000K	
SYSTEM WATTAGE	DIST.TYPE	LUMENS	LPW	LUMENS	LPW
250W	3	33000lm	146lm/W	33250lm	133lm/W
	4	30000lm	141lm/W	30500lm	122lm/W
	5	35000lm	149lm/W	35250lm	141lm/W
300W	3	39000lm	130lm/W	39300lm	131lm/W
	4	36000lm	120lm/W	37590lm	125lm/W
	5	35000lm	140lm/W	42300lm	141lm/W
350W	3	50000lm	144lm/W	50350lm	144lm/W
	4	49350lm	138lm/W	49700lm	142lm/W
	5	50750lm	147lm/W	51100lm	146lm/W

ORDERING GUIDE

EXAMPLE

LEDTPK300W 50K

Series	Wattage	CCT	Voltage	Distribution Type	Finish	Mount	Photo Cell	Motino Sensor
LEDTPK	<input type="checkbox"/> 70W 70WATT	<input type="checkbox"/> 40K 4000K	<input type="checkbox"/> Blank 110-270 VAC	<input type="checkbox"/> 3 Type III	<input type="checkbox"/> Blank Dark Bronze	<input type="checkbox"/> -SPTPK Slipfitter	<input type="checkbox"/> Blank No PhotoCell	<input type="checkbox"/> Blank No Sensor
	<input type="checkbox"/> 100W 100WATT	<input type="checkbox"/> 50K 5000K	<input type="checkbox"/> HV 347-480 VAC	<input type="checkbox"/> 4 Type IV	<input type="checkbox"/> -BK Black	<input type="checkbox"/> -AMTPK Aram Mount	<input type="checkbox"/> -ALPC Twist Lock Photocell	<input type="checkbox"/> -ALMS Internal Motio Sensor
	<input type="checkbox"/> 150W 150WATT			<input type="checkbox"/> 5 Type V	<input type="checkbox"/> -WH White	<input type="checkbox"/> -WMTPK Wall Mount		
	<input type="checkbox"/> 200W 200 WATT				<input type="checkbox"/> -SG Silver Gray	<input type="checkbox"/> -TMTPK Trunnion Mount		
	<input type="checkbox"/> 250W 250WATT							
	<input type="checkbox"/> 300W 300WATT							
	<input type="checkbox"/> 350W 350WATT							

*For the finish color black, white or silver gray, the lead time is 8 to 10 weeks.

SPECIFICATION

Housing

One - piece die cast housing

Mounting

Round pole
square pole
slipfitter and wall mount available

Ambient Temperature

Operating temperature -40°F to 113°F

Options

Twist lock photocell
Internal Motion Sensor

Finish

Polyster Powder dark bronze finished. Ohter optional color black, silver gray or white.



Black



Dark Bronze



Silver Gray



White

Efficacy

Up to 142 lumens per watt

CRI

70(CRI)

Lifespan

over 100,000 hours LED lifespan

Lumens

From 9,000 to 52,150 lumens

CCT

4000K and 5000K available

Electrical

Voltage 120-277V or 347V-480V
50/60Hz operation;

Distribution Type

Type III, Type IV and Type V

Compliance

Luminaires are cULus listed for damp locations -20 °C - 40°C. Design Light Consortium® Qualified and classified for DLC Premium, refer to www.designlights.org for details.

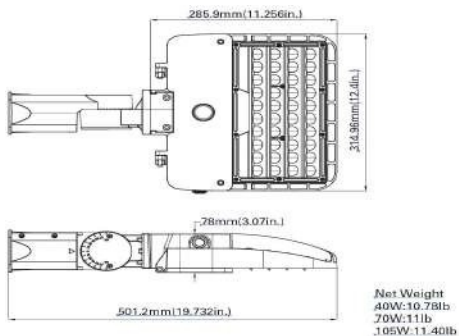
Warranty

Ten year warranty

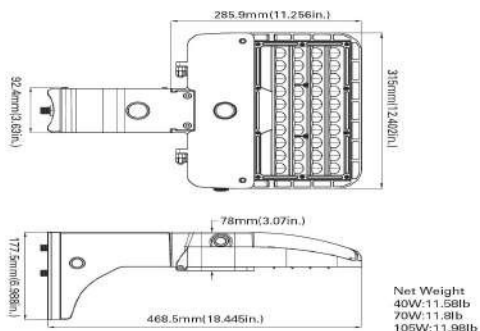
DIMENSIONS

Small Area Light: (70W)

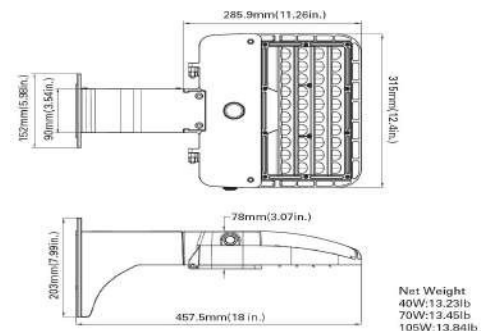
Slipfitter Mount



Pole Mount

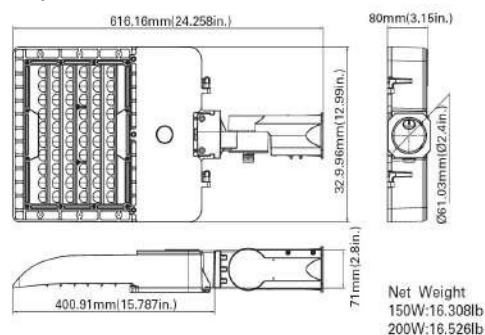


Wall Mount

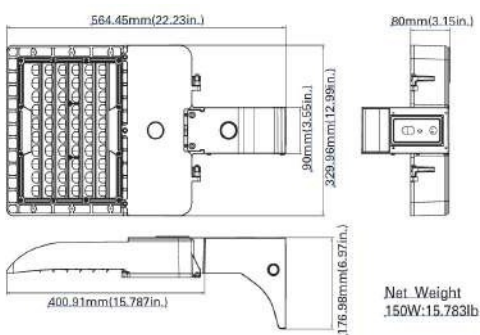


Medium Area Light: (100W, 150W, 200W)

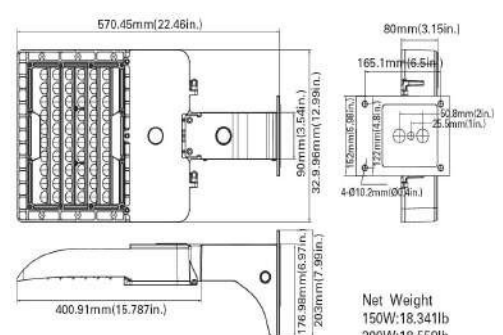
Slipfitter Mount



Pole Mount

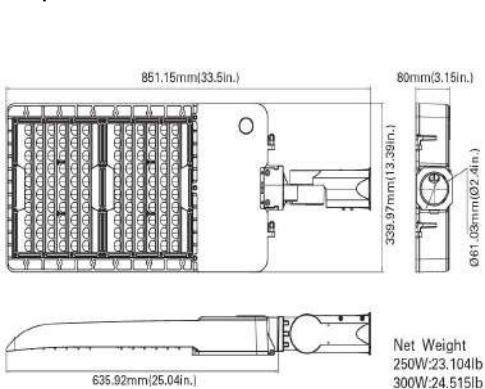


Wall Mount

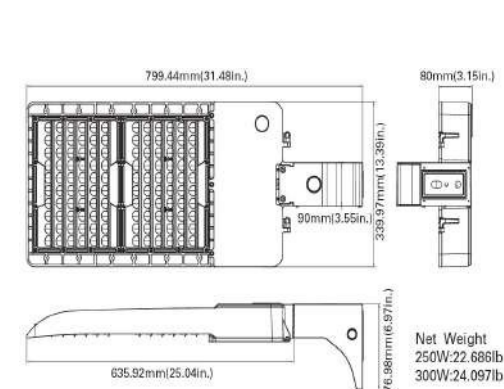


Large Area Light: (250W, 300W, 350W)

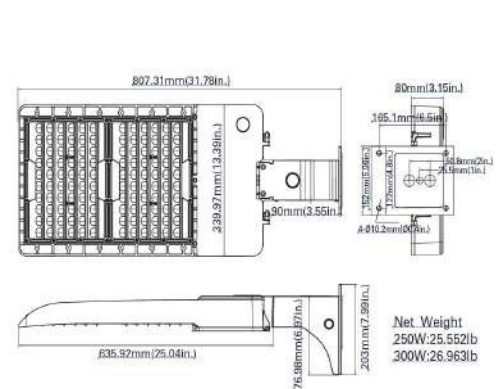
Slipfitter Mount



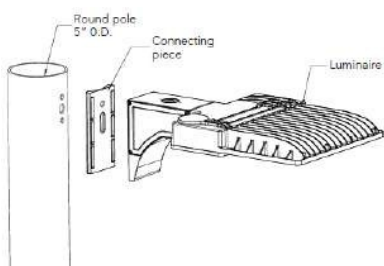
Pole Mount



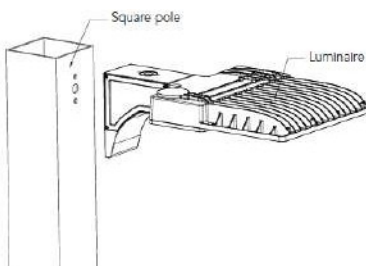
Wall Mount



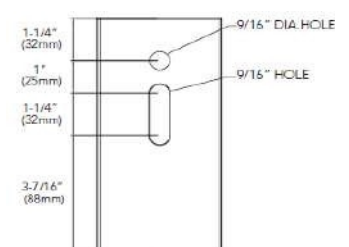
Round Pole Mount



Square Pole Mount

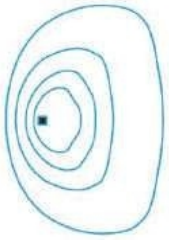


Drilling Template



PHOTOMETRIES

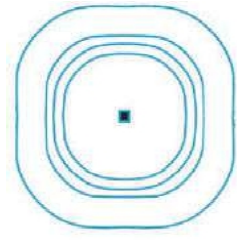
Type3:
Type 3 optics produce an asymmetrical pattern that directs the majority of the light forward and equally on both sides of the luminaire. In a back-to-back configuration, it creates a rectangular pattern which can extend pole spacings.



Type4:
Type 4 is suitable for applications where light is primarily. Required forward with minimal backlight. Typical installations include perimeter backlight. Typical installations include perimeter poles.



Type5:
Type 5 optics produce a symmetrical square distribution pattern that distributes light equally on all sides of the luminaire. Type 5 luminaires is universal for most area lighting application.



OPTIONAL ACCESSORIES

1. Motion Sensor



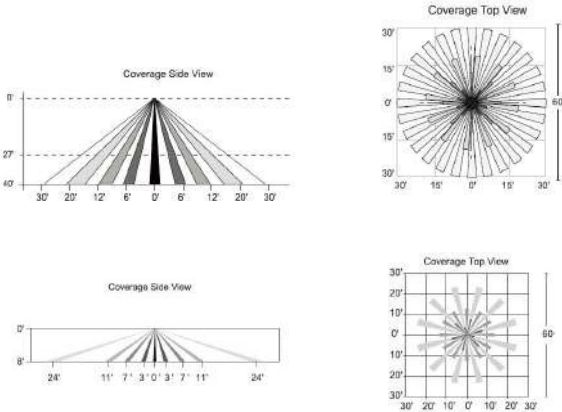
BL-PIR-INT

Description

The BL-PIR is a passive sensor that detects a range of 360 degrees around the fixture using infrared technology in an area with or without obstructions. The sensor provides maximum energy savings by illuminating the fixture when motion is detected and turning it off automatically once motion is no longer detected. All functions are adjustable via a wireless configuration tool.

(Please see motion sensor spec sheet for more detail)

Coverage



How it works

1. When sufficient natural light is present, the fixture will not illuminate when motion is detected.
2. When there is insufficient lighting and motion is detected in a space within range of the sensor, the fixture will illuminate automatically.
3. The light fixture will remain illuminated until the space is unoccupied, and will go into standby mode until motion is detected once again.
4. If the space remains unoccupied for half of the standby period, the fixture will automatically reduce to adjusted light levels.
5. At the end of the standby period, the fixture will turn off automatically until activated once again by motion.

Performance Data

Voltage	Detect Area	Operating Temp	Mounting Height	Protection Rate
120/277VAC 50/60Hz	360°	-40 -158°F	maximum coverage 60' diameter from 40' height	IP66

2. Twist Lock Photocell

ALPC - twist lock photocell low voltage

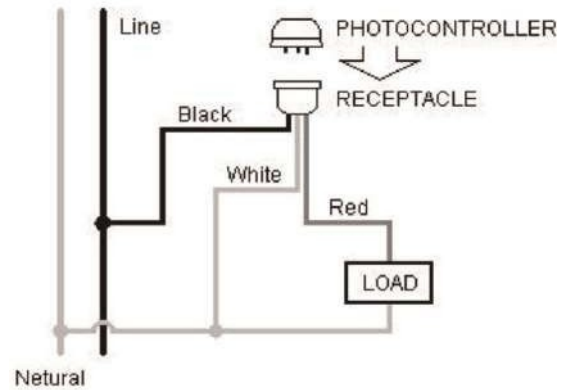
- Dusk to dawn photocell sensor
- Switch life is greater than 5000 cycles
- Reduce maintenance cost and energy consumption
- UL Listed global safety certification



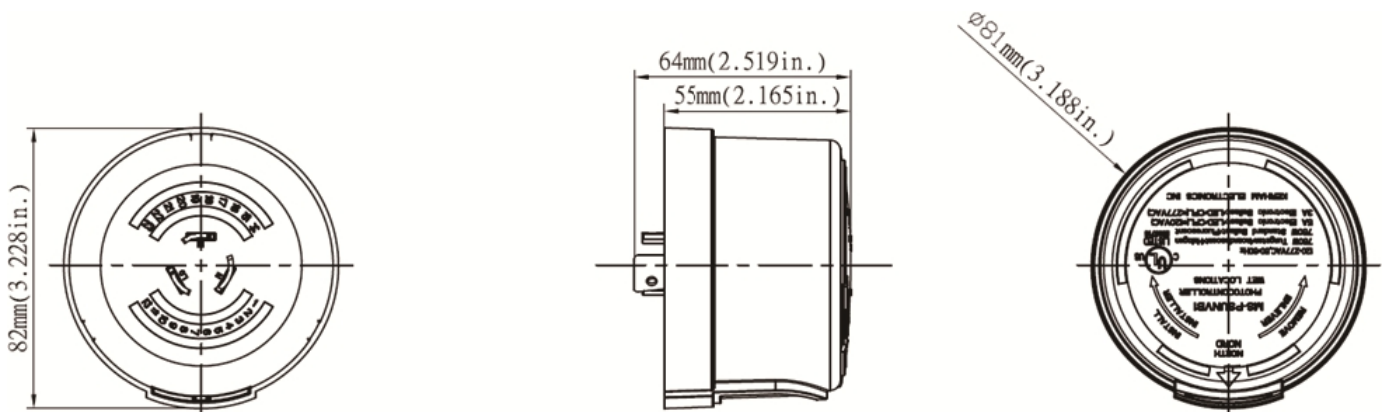
MODEL #	VOLTAGE	DELAY TIME	AMBIENT TEMPERATURE	PRODUCT SIZE	COLOR
ALPC	120-277VAC /480VAC	8-15 sec	(-40°F to 170°F)	80mmx64mm	Black

Installation Instruction

- Disconnect power before installation
- Fix the photocell base to the luminaire as the N-pole mark points to the lamp
- Wire the photocell base according to the wiring diagram
- Insert the photocell into the corresponding hole and twist clockwise tightly
- Adjust the photocell position to ensure the glazing surface face to the north



Dimensions(mm)



3. Mounting Option

Arm Mount



Arm Mount (4" and 5" Square and Round Poles)
Standard versatile mounting arm is simple to install and can be used with existing poles for retrofit installations.

Slipfitter Mount



Slipfitter Mount
An optional cast aluminum mast arm adapter secures fixture head to nominal 2" (2-3/8" O.D. pipe size) horizontal steel tenon arm

Wall Mount

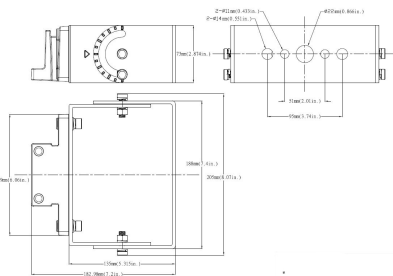


Wall Mount
Wall mount is easy to install for direct wall mounting with 1/2" conduit wiring or standard J-box mounting.

Trunnion Mount



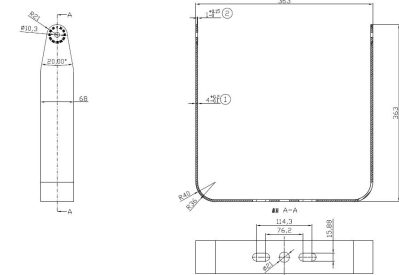
Trunnion mount
The trunnion is able to mount in any surface: wall, roof or wood pole. It can be used with 2-3/8" tenon mounting.



Side Trunnion Mount



The trunnion is able to mount in any surface: wall, roof or wood pole. It can be used with 2-3/8" tenon mounting.



4. Additional Mounting Option

Pole Bracket

4" Square Pole Mount



4" Round Pole Mount



5" Square Pole Mount



5" Round Pole Mount



Tenon Adaptor



Wall Bracket

90° Wall Mount Bracket



Mid-Pole tenon Bracket

Horizontal Tenon Mid-Pole Bracket



Round External Mount Horizontal Tenon

Double 90° Horizontal Tenon Adaptor



Triple 120° Horizontal Tenon Adaptor



Double 180° Horizontal Tenon Adaptor



Quad 90° Horizontal Tenon Adaptor



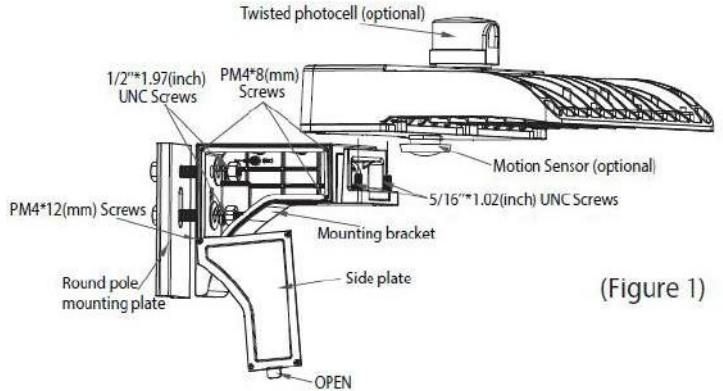
Triple 90° Horizontal Tenon Adaptor



INSTALLATION

Square / Round Pole

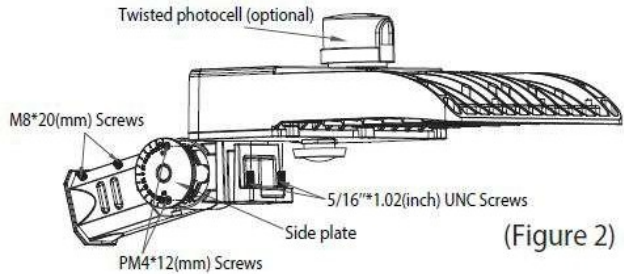
1. Remove the side plate from mounting bracket. Please skip to step 3 if mounted onto square pole.
2. Attach round pole mounting plate on mounting bracket.
3. Route the cord into mounting bracket through the hole for wiring, slide the fixture onto the bracket and tighten 2 bottom screws.
4. Slightly drag the wires to make sure the hole on bracket is sealed by silicon gasket.
5. Make wiring connection as per wire diagram below, replace the side plate and fasten screws.



(Figure 1)

Slipfitter

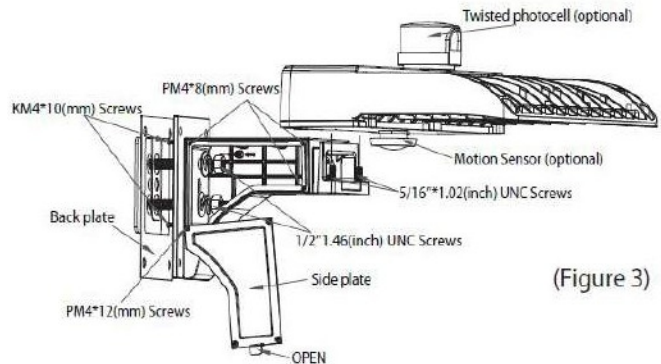
1. Connect the wires to L/N/GND.
2. Remove the cover and adjust the bracket to the desired angle.
3. Install the bracket on the pole and fix it with screws.



(Figure 2)

Wall Mount


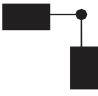


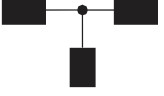
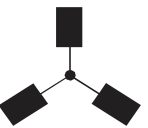
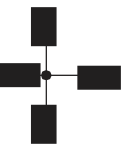
1. Remove the side plate by loosen the screws.
2. Fix the back plate onto the arm bracket with screws provided.
3. Use the metal template provided to locate footprint on the wall to drill the holes, then fix the bracket on the wall with screws.
4. Route the power cord into wall mount bracket, slide the fixture onto the mounting bracket, then tighten bottom screws.
5. Make wiring connection inside of bracket and replace the side plate with screws.









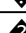
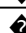

(Figure 3)

PERFORMANCE DATA


Epa of Area Light

Item							
	1	2 @90°	2 @120°	2@180°	3 @90°	3 @120°	4 @90°
70W	0.6260	0.7050	0.9740	0.9810	0.9820	0.9770	0.9820
100W/150W/200W	0.4418	0.7145	0.8813	0.8836	1.0548	1.0135	1.0548
250W/300W/350W	0.5614	0.8471	1.1050	1.1228	1.2940	1.2503	1.2940

Performance

Wa  age	Lumens	Efficacy	Voltage	Moun  ng Height	DLC
70W	9,000	129lm/W	120-277V	10-15 	Premium
100W	14,600	146lm/W	120-277V	15-20 	Premium
150W	19,500	130lm/W	120-277V	15-20 	Premium
200W	26,000	130lm/W	120-277V	20-30 	Premium
250W	33,000	146lm/W	120-277V	20-30 	Premium
300W	39,000	130lm/W	120-277V	30-50 	Premium
350W	50,000	144lm/W	120-277V	30-50 	Premium

Electrical

# of Driver	Wa  age	Current(A)					
		120V	208V	240V	277V	347V	480V
1	70W	0.58	0.34	0.30	0.25	0.20	0.15
1	100W	0.83	0.48	0.41	0.36	0.29	0.21
1	150W	1.25	0.72	0.63	0.54	0.43	0.31
1	200W	1.66	0.96	0.83	0.72	0.58	0.42
1	250W	2.08	1.20	1.04	0.90	0.72	0.52
1	300W	2.50	1.44	1.25	1.08	0.87	0.62
1	350W	2.91	1.68	1.45	1.26	1.00	0.73

Wireless Lighting Control System

Description

G5 smart wireless lighting controls system is an indoor or outdoor wireless control system for the parking lot, street, roadway and commercial lights. The unique technology inside this system enables customer to remote monitor and operate all fixtures through a Web-enabled central management system. Customer can use any internet enabled equipment, such as smart phone, computer or tablet, to access the user portal of the system.

Wireless Control Node



Smart Gateway



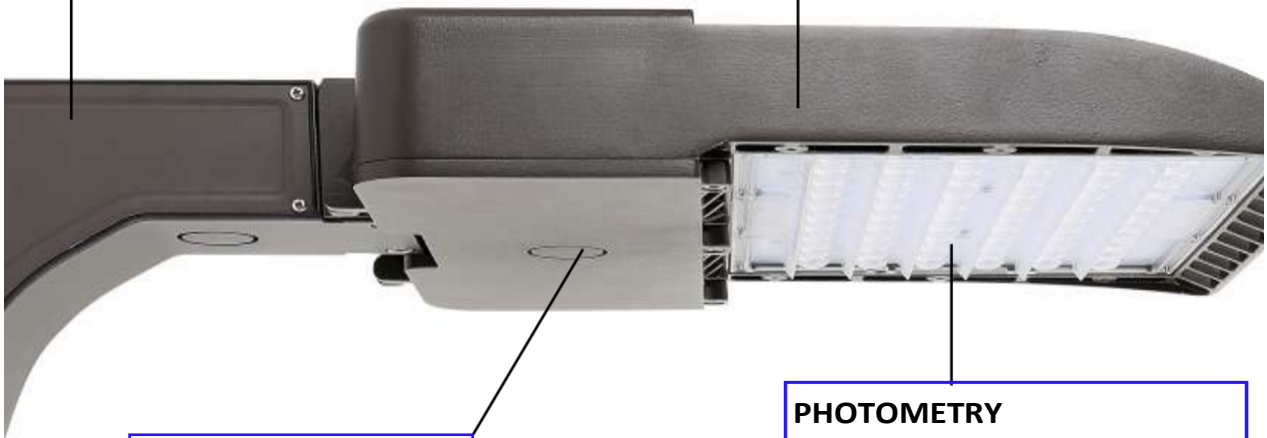
Features

- Accurate, utility-grade energy metering per fixture or per circuit
- Stores days of energy data in local memory in case of network outage and automatically synchronize data with central database once network recovers
- Provides real-time (less than 100 ms response time) protection on fixtures from the out of range voltage
- Real-time detects the theft of electricity and reports time, wattage and location to the operation center
- Automatically download programmed schedules
- Maintain a redundant mesh network through encrypted connections
- Integrated with latest video surveillance system
- Provide integration interface on the control board and software platform. Capable of integration with police and city management system.

VOLTAGE	OPERATING CURRENT	OPERATING TEMPERATURE	WIRELESS NETWORK
120-277VAC/480VAC	75 mA	(-22°F to 158°F)	IEEE 802.15.4 2.4GHz

Mounting Option:
 Arm mount
 Slipflter
 wall mount
 Trunnion

Housing
 One piece die-cast aluminum housing with UV resistant polycarbonate optical lens, outstanding corrosion protection



Motion Sensor
 Optional allows for security and energy saving.

PHOTOMETRY
 Option Type 3, 4, 5 photometry

Backlight Control Accessories

Backlight Control

It will reduce the light spill behind the pole.

Black finish

