



## SPXRZRDASH2

3" Aftermarket Multimedia Dash Kit  
for select 2019+ Polaris® RZR®

## Installation Guide

### Vehicle Fitment

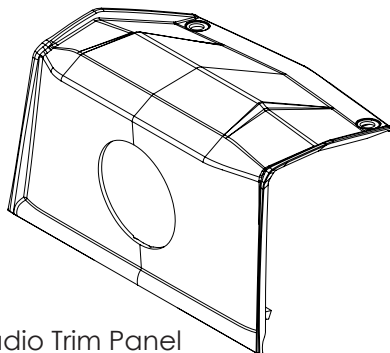
2019+ Polaris RZR XP1000  
2019+ XP Turbo

Will NOT fit the TURBO S or Ride Command equipped Polaris RZR models.

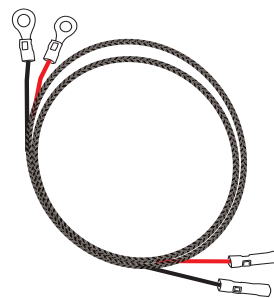
### Recommended Tools

- Flat Blade Screwdriver
- Utility Knife

### Parts List



Radio Trim Panel



Power Harness

#### LIMITED WARRANTY:

Stinger warrants this product to be free of defects in materials and workmanship for a period of one (1) years from the original date of purchase. This warranty is not transferable and applies only to the original purchaser from an authorized Stinger dealer in the United States of America only. Should service be necessary under this warranty for any reason due to manufacturing defect or malfunction, Stinger will (at its discretion), repair or replace the defective product with new or remanufactured product at no charge. Damage caused by the following is not covered under warranty: accident, misuse, abuse, product modification or neglect, failure to follow installation instructions, unauthorized repair attempts, misrepresentations by the seller. This warranty does not cover incidental or consequential damages and does not cover the cost of removing or reinstalling the unit(s). Cosmetic damage due to accident or normal wear and tear is not covered under warranty.

#### INTERNATIONAL WARRANTIES:

Products purchased outside the United States of America are covered only by that country's Authorized Stinger reseller and not by Stinger. Consumers needing service or warranty information for these products must contact that country's reseller for information.

#### TECHNICAL SUPPORT:

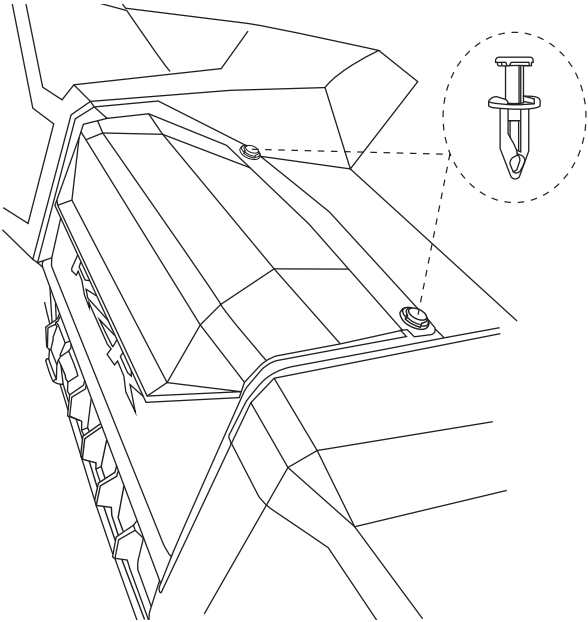
727-592-5991  
Mon-Fri 9AM-8PM EST  
Sat 9AM-7PM EST  
support@aampglobal.com

Stinger is a Power Brand of **AAMP Global**  
15500 Lightwave, Clearwater, Florida 33760  
P: 888-228-5560

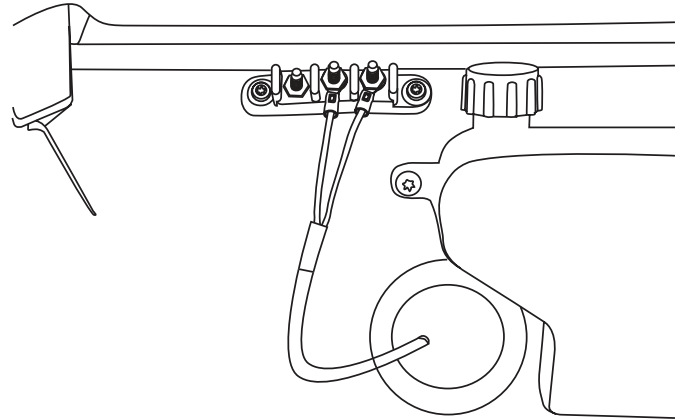
support@stingerelectronics.com  
www.stingerelectronics.com  
© 2019 AAMP Global

**1**

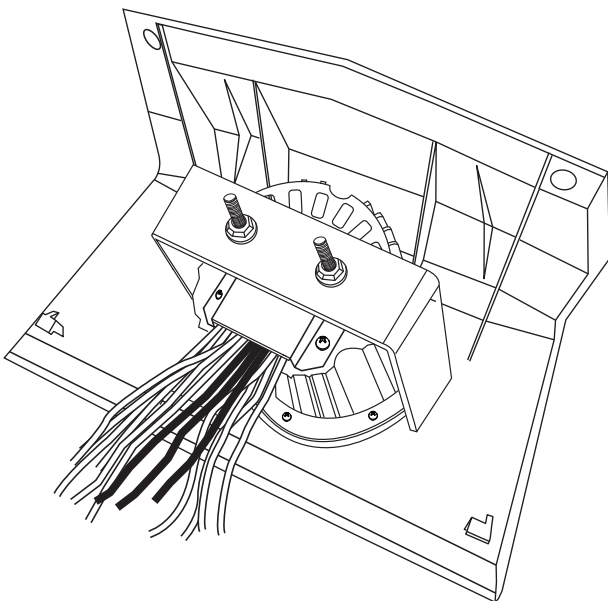
Using a flat blade screwdriver, remove the (2) push clips holding the upper pocket. Lift the pocket assembly upward to remove.

**2**

If using the supplied power harness, locate the factory power distribution block under the hood, on the firewall. Do not connect the power wires at this time. Route the harness through the rubber grommet into the vehicle. Make the necessary wire connections following the radios installation manual.

**3**

After all wire connections have been made, mount the radio to the SPXRZRDASH2 using the manufacturers supplied hardware.

**4**

Insert the radio and mounting panel assembly into the dash ensuring the hooks on the bottom edge of the bezel lock into place. Re-install the two push clips. Connect wires at the distribution block if necessary.

