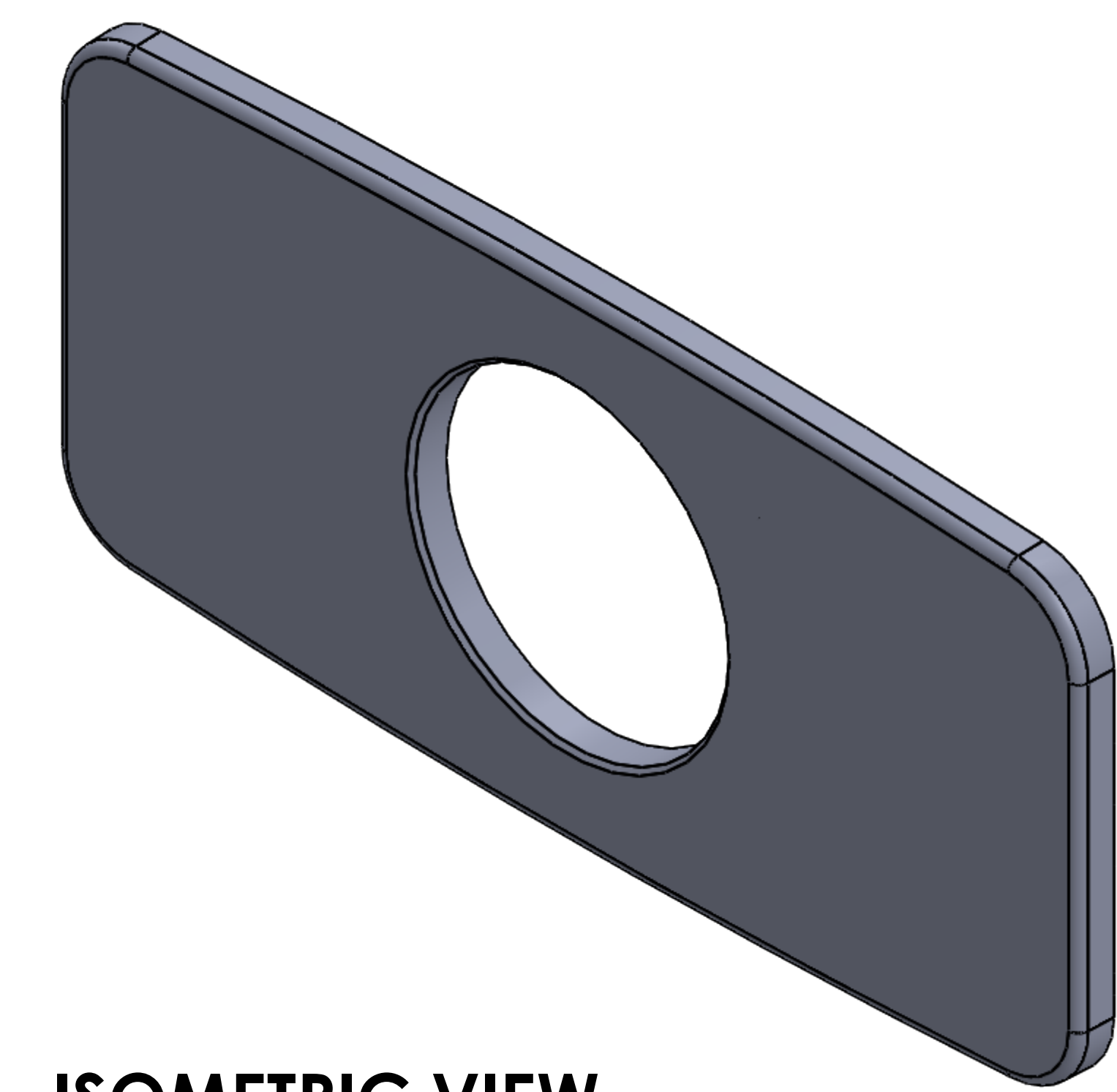
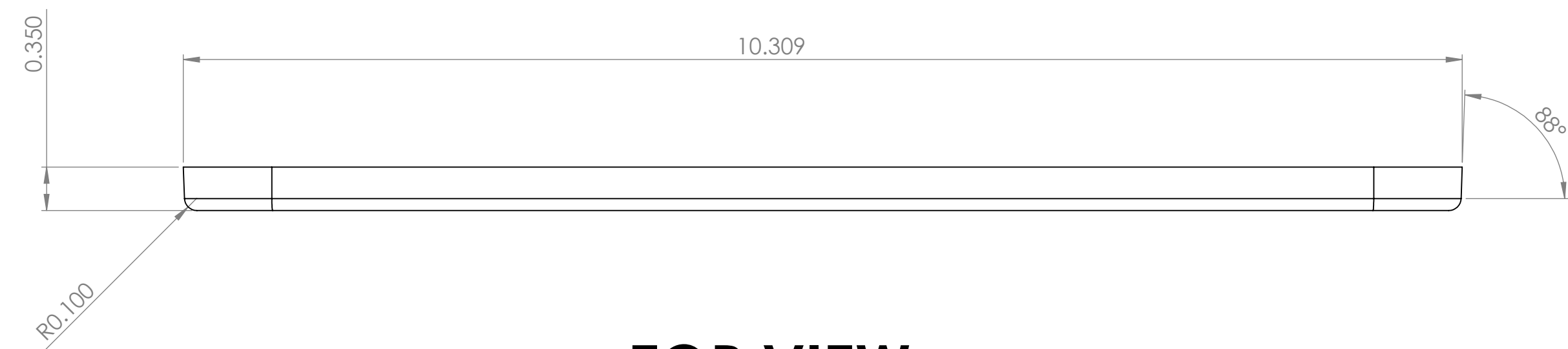


**NOTES:**

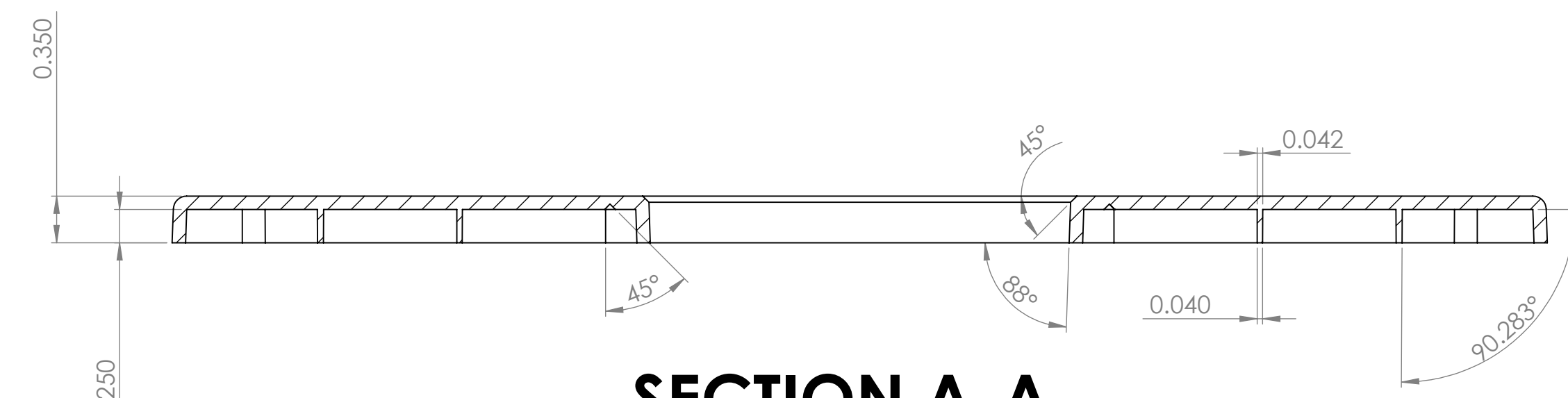
- 1. HATCHED AREA ON FACE OF PART TO BE POLISHED SMOOTH AND GLOSSY
- 2. EACH PART TO BE SHIPPED WITH HARDWARE PACK AS FOLLOWS;
  - A. 4 PCS. # 8 X 1 INCH 18-8 STAINLESS STEEL, TRUSS HEAD TORX SCREWS-BRIGHT FINISH
  - B. 4 PCS. # 8-32 X 1-1/2 INCH 18-8 STAINLESS STEEL SOCKET SET SCREWS
  - C. 4 PCS. # 8-32 HEX MACHINE NUTS, 18-8 STAINLESS STEEL
  - D. 4 PCS. # 8 LOCKWASHERS, 18-8 STAINLESS STEEL



**ISOMETRIC VIEW**

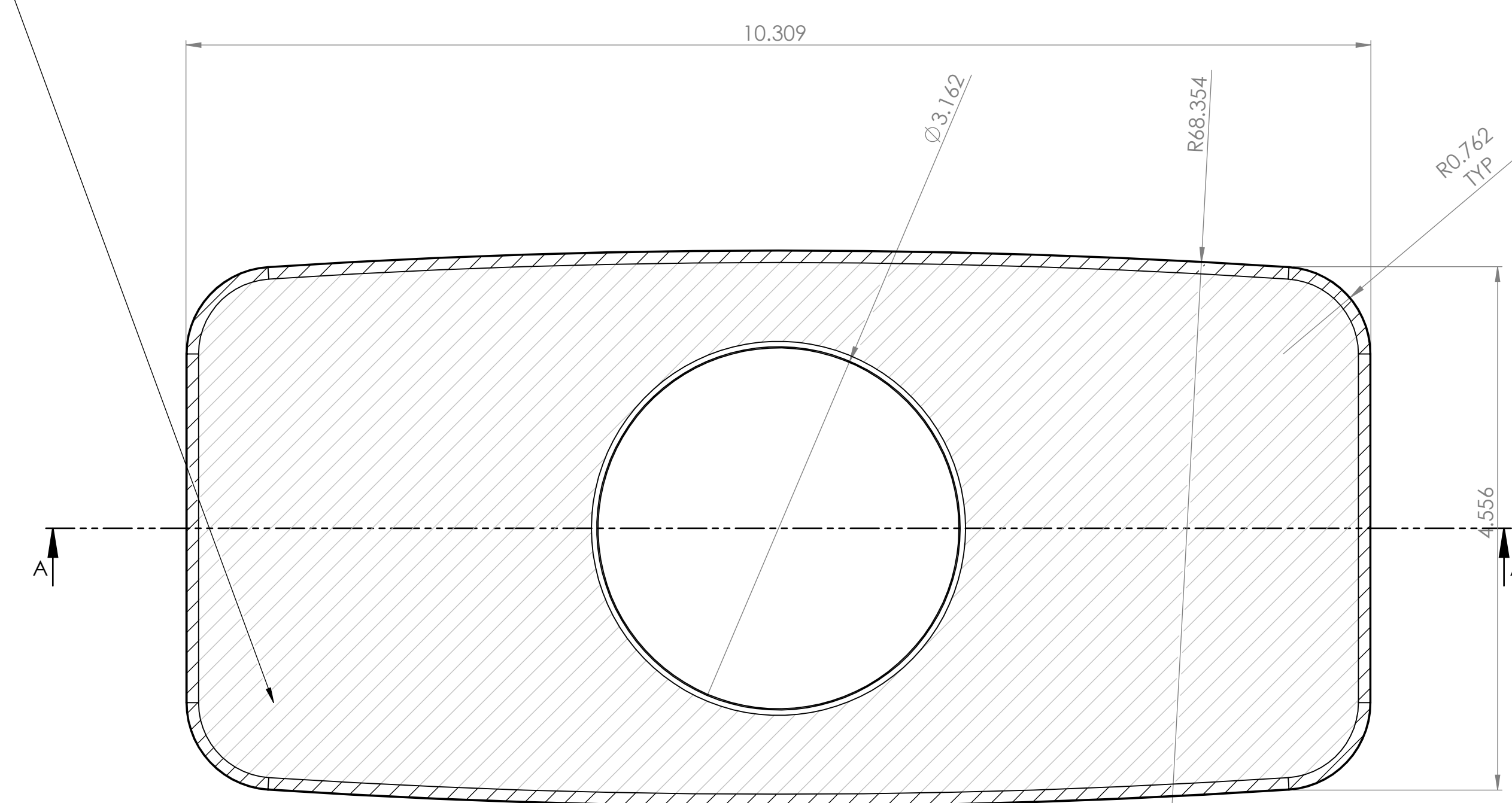


**TOP VIEW**

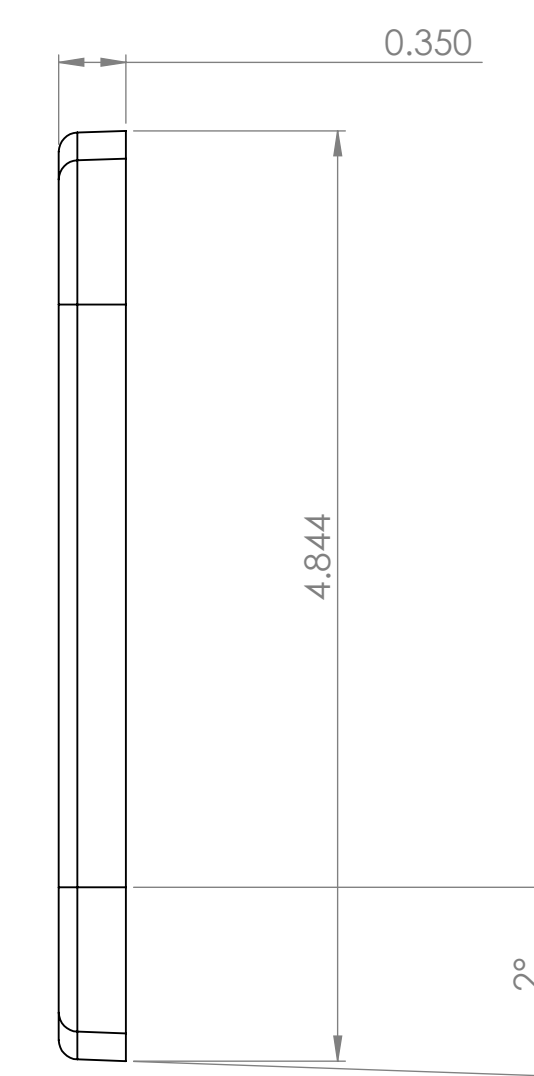


**SECTION A-A  
SCALE 1 : 1**

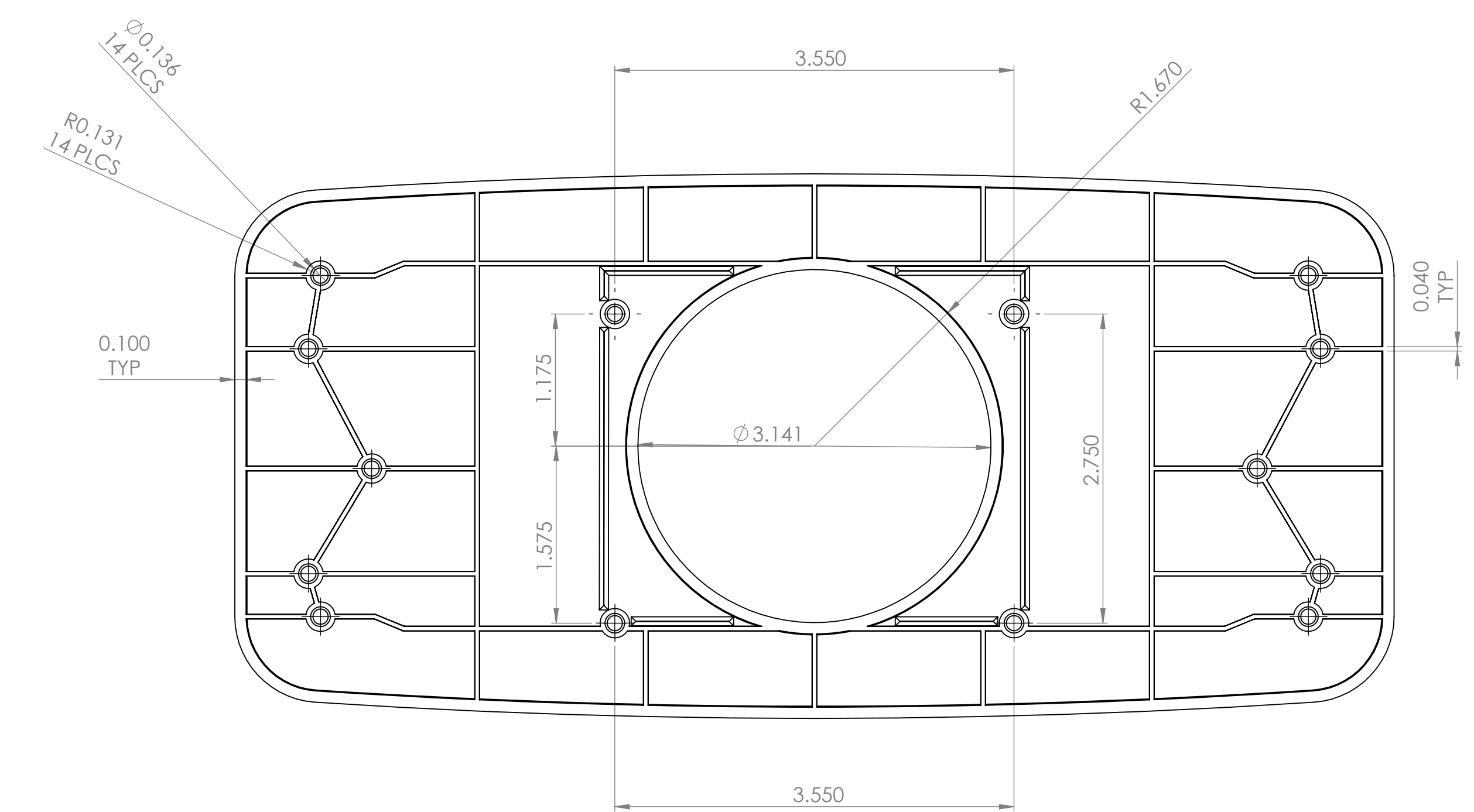
**HATCHED AREA TO BE POLISHED SMOOTH AND GLOSSY**



**FRONT VIEW**



**SIDE VIEW**



**REAR VIEW**

DESIGNER	DATE	REVISION	DATE
CAD			
APPROV			
MFG			
QA			
MATERIAL		GRADE/PW-9788-BLACK	
		GRADE/PW9788-WHITE	
TITLE		SEADASH3	
DRAWING NO.		A0	
SHEET OF 1		1	