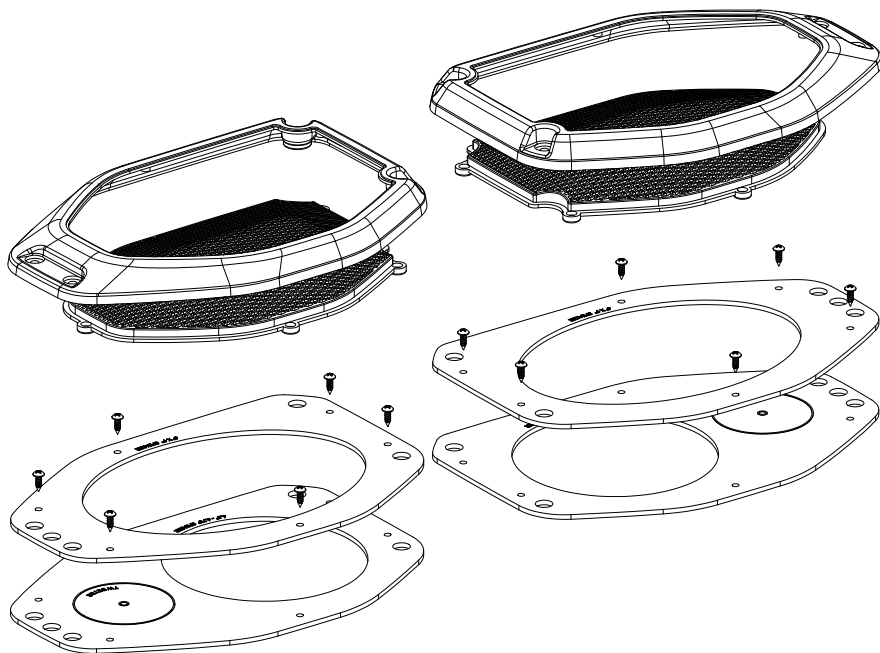




# STXJLSBA

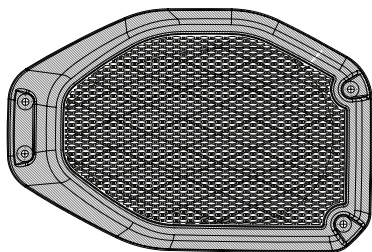
2018- 2022 Jeep Wrangler - Gladiator JL / JT  
Rear Universal Speaker Adapters with Grilles  
6.5" / 6.75" / 6"x 9" / Components



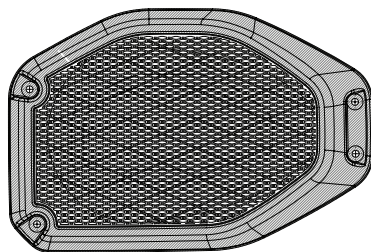
## Installation Guide

### What's In The Box

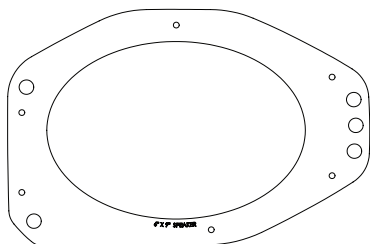
LH Speaker Grille X 1



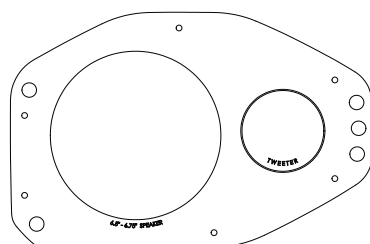
RH Speaker Grille X 1



6" X 9" Speaker Panel X 2



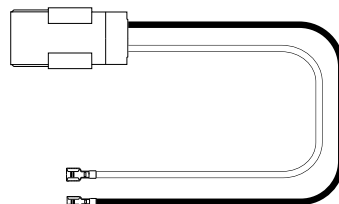
6.5"- 6.75" Speaker Panel X 2



#8 X 1/2" Phillips Screw X 12



Speaker Plug Adapter X 2



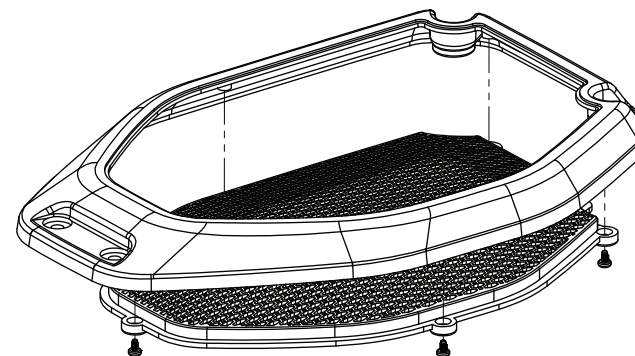
### Recommended Tools

*Nylon Trim Tools*  
*Torx T20, T25, T30*  
*10MM Socket*  
*Ratchet*

*5MM Allen Wrench*  
*Air Saw / Dremel*  
*Phillips Screwdriver*  
*Eye Protection*

### Installation Notes

- Read this installation guide thoroughly before disassembling or modifying the vehicle. Installation of this product requires technical skill, experience and specialized tools. If in doubt, it's recommended to have it professionally installed by an authorized Stinger Dealer.
- Removal of the sound bar is not required, but recommended.
- Some steps are more easily completed with a second person.
- For vehicles equipped with the factory Alpine system, additional speaker wiring will be necessary to get full range signal.
- The speaker grille and frame come pre-assembled. The frames can easily be removed for custom painting by removing the five M3 x 5 screws on the back side.



## Removing the Overhead Sound Bar

If not removing the sound bar, skip to Page 6.

1. Using a trim tool, disengage the clips securing the dome lamp to the sport bar trim. Unplug the dome light wire harness.

NOTE: The dome lamp clips can be extremely hard to release.

2. Remove the three Torx T25 screws from the front of the center sport bar cover. Using a trim tool, release the retaining clips along the rear edge and remove the center sport bar cover from vehicle.

3. Remove the four T25 screws from the driver and passenger side front door sport bar covers. Pull inward towards the center of the vehicle and remove both trim covers from vehicle.

4. Remove the five T25 screws from the driver and passenger side rear door sport bar covers. Pull inward towards the center of the vehicle and remove both trim covers from vehicle.

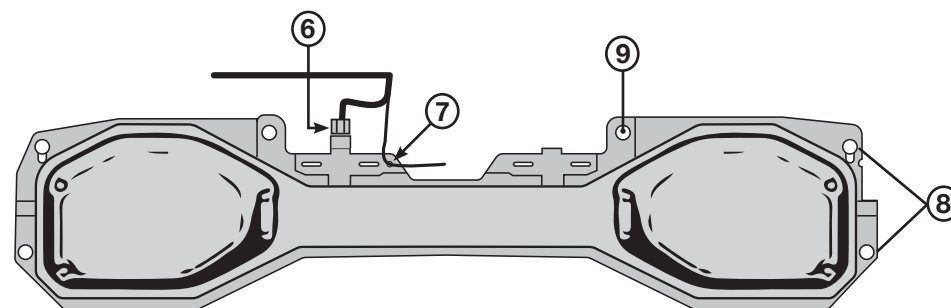
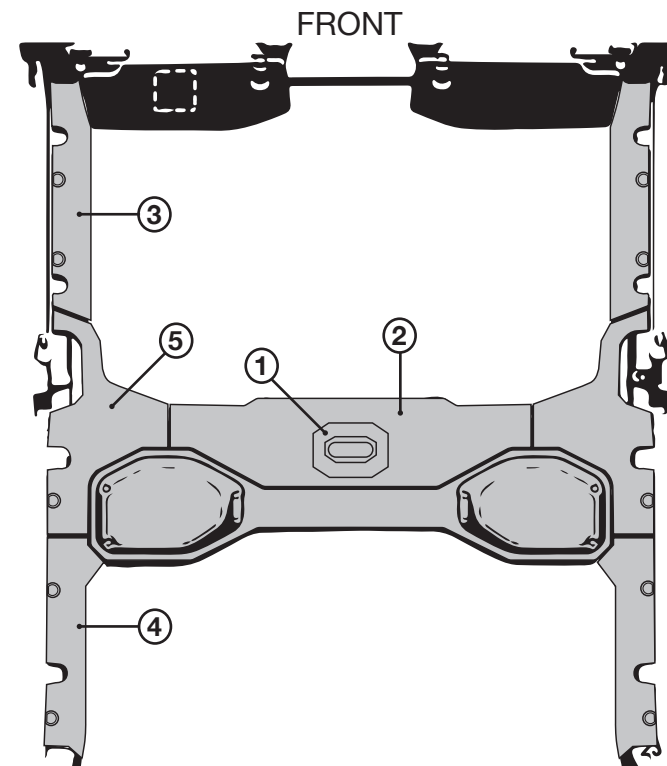
5. Remove the T25 screw and plastic push fastener from the driver and passenger side outer sport bar covers. Using a trim tool, remove both trim covers from vehicle.

6. Disconnect the speaker wire harness connector.

7. Remove the wire harness push fastener.

8. Remove the two 10MM bolts on the driver and passenger side of the sound bar.

9. While securely holding the sound bar in place, remove the two inner 10MM bolts on the sound bar. Lower the sound bar and remove from the vehicle.



## Sound Bar Disassembly

**1.** Remove the four 5mm allen screws securing the factory speaker grille and remove grille.

NOTE: The same 5mm allen screws will be used to attach the new grille.

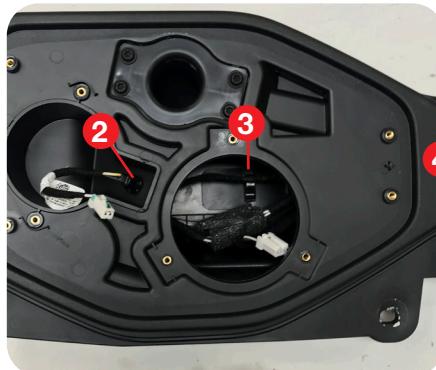


**2.** Remove the five Torx T20 screws securing the factory tweeter and midrange speakers. Remove and unplug the speakers.

Remove the foam insert (1).



**3.** Push the grommet on the tweeter wire harness (2) into the midrange area. Unclip the speaker harnesses (3) and temporarily tuck them in well towards the center "tunnel" (4) of the sound bar, ready for the cutting process (pages 8-9).



**4.** Remove the four Torx T30 screws securing the port to the enclosure.



**5.** Remove the port from the enclosure.



Repeat Steps 1-5 on the other side of the sound bar.



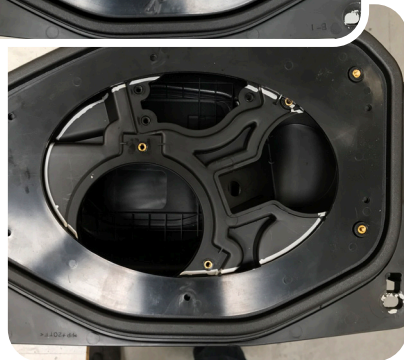
## Marking and Cutting the Sound Bar

1. Align and place either the 6.5"-6.75" Speaker Panel or the 6" x 9" Speaker Panel on the sound bar.

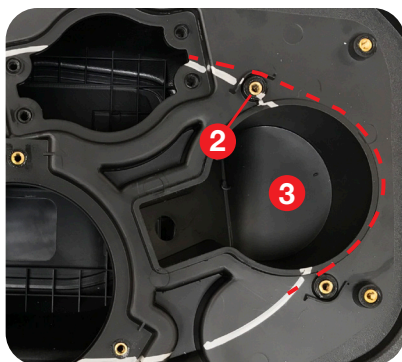
NOTE: If installing components, drill the tweeter mounting hole first.

Using a marker or scribe, mark the speaker opening(s) on the sound bar.

Remove the Speaker Panel.



2. A few things before cutting... if a cut line goes over one of the metal thread inserts (2), go around it. The bottom of factory tweeter "cup" (3) is very close to the back of the sound bar. It's best to cut around it and remove it completely as indicated by the red dashed line. And most importantly, wear eye protection, gloves and keep your fingers out of the way.



3. Using an air saw, Dremel or your favorite cutting tool, cut along the cut-line.

NOTE: Secure the sound bar or have a second person hold it in place when cutting.



4. Remove (vacuum) any cutting debris from the inside of the sound bar.

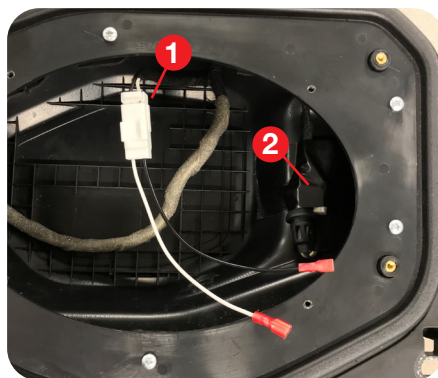


5. Place the Speaker Panel back in place and attach it to the sound bar using the six #8 x 1/2" Phillips screws provided.



### Installing the Speakers

**1.** Connect one of the Speaker Adapters to the larger of the two factory speaker connectors(1). Secure the unused connector (2) to reduce possible rattles.



**2.** Connect the Speaker Adapter leads to the speaker.

Note: Reference the factory speaker connections for correct polarity.



**3.** Mount the speaker to the Speaker Panel.

NOTE: Secure the sound bar or have a second person hold it in place when mounting the speakers.



**4.** Attach the grille using the four 5mm allen head screws removed from the factory speaker grille.

Note: Do not use a power drill, hand-tighten only.



Repeat Steps 1-4 on the other side of the sound bar.



### Limited Warranty

Stinger warrants this product to be free of defects in materials and workmanship for a period of one (1) years from the original date of purchase. This warranty is not transferable and applies only to the original purchaser from an authorized Stinger dealer in the United States of America only. Should service be necessary under this warranty for any reason due to manufacturing defect or malfunction, Stinger will (at its discretion), repair or replace the defective product with new or remanufactured product at no charge. Damage caused by the following is not covered under warranty: accident, misuse, abuse, product modification or neglect, failure to follow installation instructions, unauthorized repair attempts, misrepresentations by the seller. This warranty does not cover incidental or consequential damages and does not cover the cost of removing or reinstalling the unit(s). Cosmetic damage due to accident or normal wear and tear is not covered under warranty.

### INTERNATIONAL WARRANTIES:

Products purchased outside the United States of America are covered only by that country's Authorized Stinger reseller and not by Stinger. Consumers needing service or warranty information for these products must contact that country's reseller for information.



**Stinger** is a Power Brand of AAMP Global  
15500 Lightwave, Clearwater, Florida 33760  
Phone: 888-228-5560

### Technical Support

Phone: 727-592-5991

Email: [support@stingerelectronics.com](mailto:support@stingerelectronics.com)

Chat: [stingerelectronics.com](https://www.stingerelectronics.com)

IG-STXJLSBA REV 061722

© 2022 AAMP Global