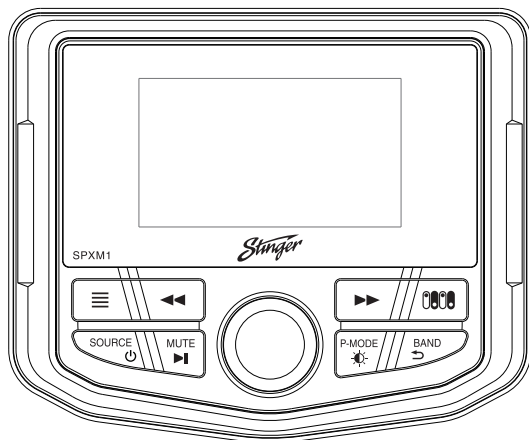


# SPXM1

## Marine Digital Media Receiver



## Installation Guide

Be sure to read this installation manual thoroughly before carrying out installation and making connections. Installation of this product requires technical skill and experience. It is recommended to have it professionally installed by an authorized Stinger or Phoenix Gold Dealer.



## PRECAUTIONS

Disconnect the vehicle's negative battery cable before making any wire connections.

Protect all vehicle surfaces with tape or plastic.

Do not install components in any location that will hinder vehicle operation, such as steering wheel, gearshift, air bags, hazard switch.

Bundle cables and harnesses with electrical tape or wire ties to prevent them from interfering with moving parts.

Never attempt to disassemble or modify the product. Otherwise, an accident, fire or electric shock may result.

Exposed wires must be insulated with electrical tape. Otherwise, a short circuit, fire, or electric shock may result.

To prevent damage to the vehicle, confirm the locations of hoses, electrical wiring, and the fuel tank prior to drilling holes to install this product.

When it is necessary to replace the fuse, always use a fuse of the correct rating (number of amperes). Use of fuses with higher amperage ratings may cause a fire.



Stinger is a Power Brand of AAMP Global  
15500 Lightwave Drive, Suite 202  
Clearwater, Florida 33760

### CUSTOMER SOLUTIONS:

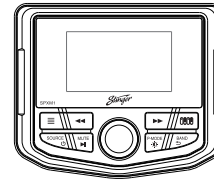
800-477-2267  
Mon-Fri 9AM-8PM EST  
customersolutions@aampglobal.com

### TECHNICAL SUPPORT:

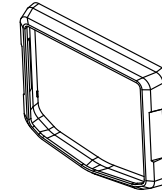
727-592-5991  
Mon-Fri 9AM-8PM EST  
Sat 9AM-7PM EST  
support@aampglobal.com

AGREEMENT: End user agrees to use this product in compliance with the instructions and terms of use and with all State and Federal laws. STINGER provides instructions and safety warnings with respect to this product and disclaims all liability for any use not in conjunction with those instructions or other misuse of its product. If you do not agree, please discontinue use and contact STINGER. This product is intended for off-road use and passenger use only.

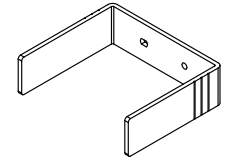
## Parts List



SOURCE UNIT



TRIM PLATE



MOUNTING BRACKET



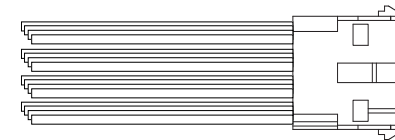
3.5 X 25  
MOUNTING SCREW (4)



M4 X 35  
THREADED STUD (2)



M4  
FLANGE NUTS (8)



POWER / SPEAKER WIRE HARNESS

## Recommended Tools

Multimeter  
Wire Strippers  
Wire Cutters  
Drill / Drill Bits  
Phillips Screwdriver  
Wire Crimpers

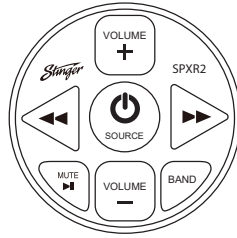
Cutting Tool / 3" Hole Saw  
8mm Wrench (Flange Nuts)  
Battery Terminal Wrench  
Soldering Iron  
Heat Gun

## Optional Accessories

### SPXR2

#### **Wired Marine Remote**

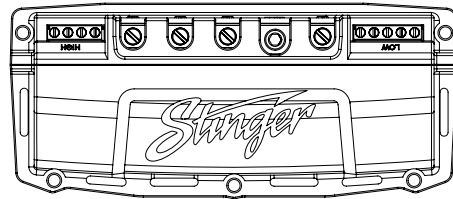
Control the SPXM1 from the swim deck or seating area.



### SPXSH440

#### **Solid State Power Bank**

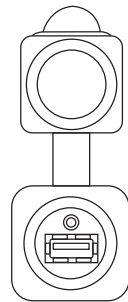
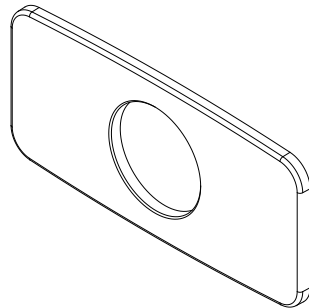
Control external accessories such as lighting, audio or any other 12V accessory right from the SPXM1 using the SPXSH440.



### SEADASH3

#### **Universal Marine 3" Radio Kit**

Plastic bezel plate makes updating a single DIN to 3" gauge style head unit easy-peasy. Available in Black and White.



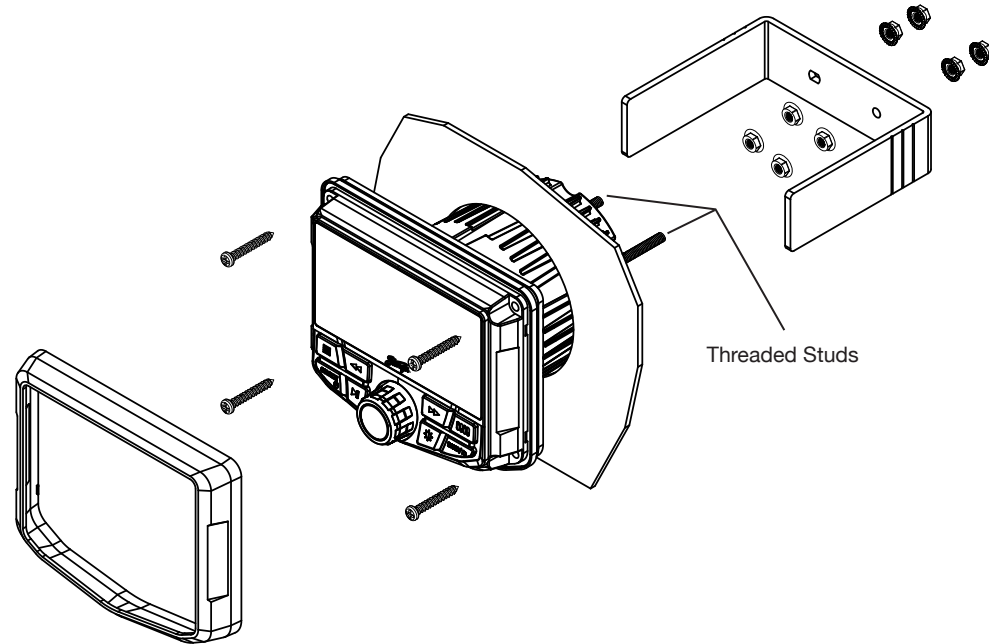
### SMRAUXUSB3

#### **Marine USB & AUX Input**

Molded connectors with machined, nickel-plated, brass contacts offer superior connection integrity, signal transfer and maximum corrosion resistance.

## Mounting Options

- The SPXM1 can be mounted using the Mounting Bracket or Mounting Screws.
- When possible, it is recommended to use both the U Bracket AND Mounting Screws.
- The mounting hole is 3" diameter. A 3" hole saw is recommended.
- Mount on flat surface. Check for obstructions behind mounting location before cutting.
- Ensure there is adequate space for the radio chassis and wire harness behind mounting surface.
- When using the U Bracket and plastic dash kit, do not overtighten, as it may cause discoloration of the dash kit on the front face.



#### **Using The Mounting Bracket**

Insert and tighten threaded studs into back of radio. Insert harness and chassis through mounting hole. Slide U Bracket onto both studs. Use supplied nuts to adjust and tighten bracket.

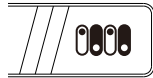
# Wiring & Connections

- Solder and heat shrink or waterproof butt connectors are recommended for all wire connections
- RCA, USB and Antenna connections should be secured with heat shrink
- The SPXM1 uses EEPROM memory, so there is no (Yellow) wire connected to the battery
- The Red (ACC 12V+) wire should be connected to switched power, not directly to battery
- The Camera/Video Input can be triggered with the Purple/White wire or selected as a Source

## ACCESSORY CONTROL WIRING

The SPXM1 has 4 switchable outputs/triggers (FIG. A) that can be used to control external accessories such as lighting, audio or any other 12V accessory, when used with the optional SPXSH440 Power Bank System.

SWITCH 1-4 wires are 12V+ outputs and can be activated individually by accessing the ACCESSORY CONTROL source.

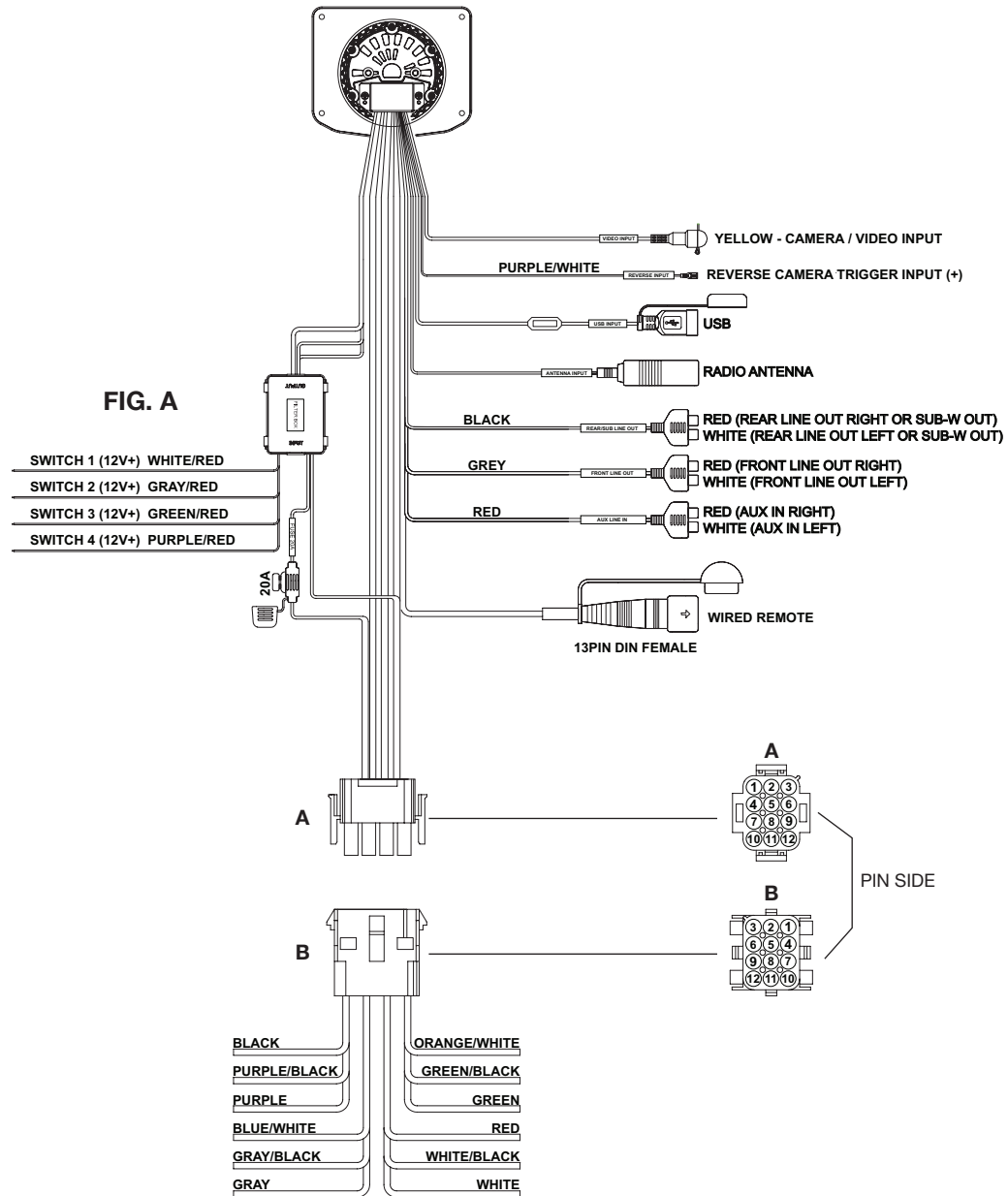


### WARNING!

Accessory control outputs are 100mA. Do not connect directly to any accessories or conventional relays. Failure to follow instructions may result in damage to equipment and void the device warranty.

PIN	WIRE COLOR	DESCRIPTION
1	GREEN	REAR LEFT SPEAKER +
2	GREEN/BLACK	REAR LEFT SPEAKER -
3	ORANGE/WHITE	ILLUMINATION +
4	WHITE	FRONT LEFT SPEAKER +
5	WHITE BLACK	FRONT LEFT SPEAKER -
6	RED	ACC 12V+
7	GRAY	FRONT RIGHT SPEAKER +
8	GRAY/BLACK	FRONT RIGHT SPEAKER -
9	BLUE/WHITE	REMOTE/AMP TURN ON
10	PURPLE	REAR RIGHT SPEAKER +
11	PURPLE/BLACK	REAR RIGHT SPEAKER -
12	BLACK	GROUND (-)

# Wiring & Connections



# Specifications

---

## General

Operating Voltage: 10.5V - 16V  
Fuse: 20 AMP  
Display: 2.7 inch Color TFT  
Backlit Water Resistant Panel (IPX-6)  
Remote Control: Wired (Optional)

## Audio

Peak Power Output: 45W x 4  
RMS Power Output: 25W x 4  
Speaker Impedance: 4 ohm  
RCA Outputs: 2 Pair(Front, Rear or Sub)  
Preamp Voltage: 2 Volts  
Frequency Response: 20-20kHz  
Equalizer: 7 Band Graphic  
Crossover: High Pass, Low Pass  
Adjustable gain for each source

## Tuner

AM/FM/Weather Bands  
Presets: 18 FM, 12 AM, 6 WB  
Local/Distant Selectable  
Auto Store  
Motorola Antenna Input

## USB 2.0

Location: Rear  
1 AMP Output  
32GB Max  
999 Songs Max  
255 Folders Max  
File Types: MP3/WMA/FLAC

## AUX Input

Location: Rear  
Input Type: Stereo RCA

## Camera/Video Input

Location: Rear  
Input Type: RCA  
Video Format: PAL/NSTC  
External & Internal Trigger

## Bluetooth

Version: 3.0+EDR, A2DP 1.3

