

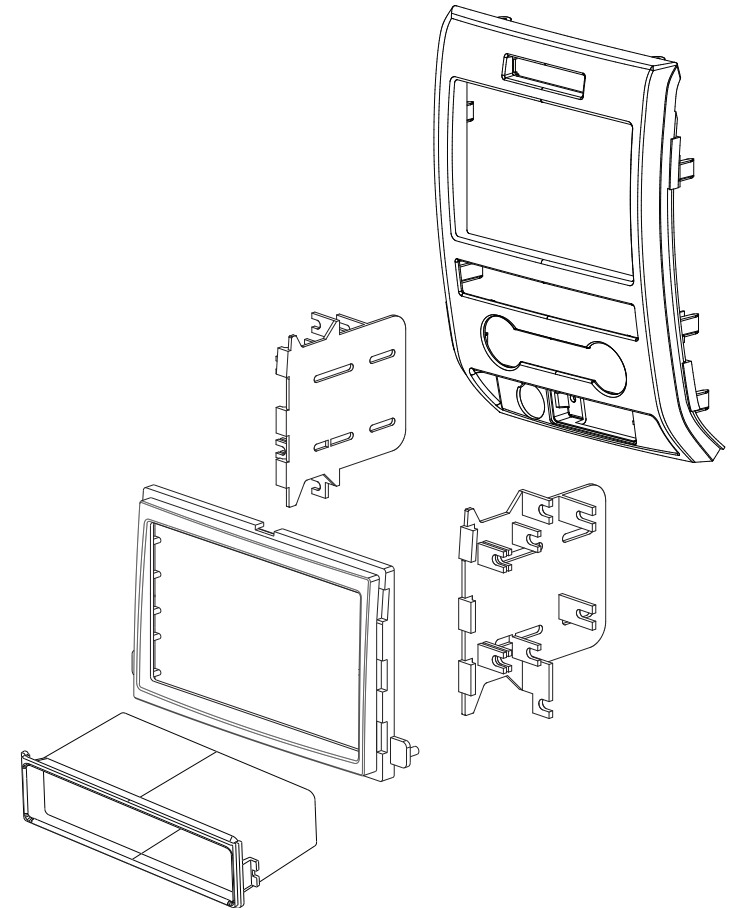
NOTE: See FMK540 instructions for dash disassembly and kit instructions

PANEL ASSEMBLY PREPARATION

1. Unclip and remove the hazard/airbag panel from the factory radio/climate control panel and insert into the FRB-5320 panel.
2. Unclip and remove the 12 volt/cigarette lighter receptacle from the factory radio/climate control panel and insert into the FRB-5320 panel.
3. Remove the (4) torx screws securing the factory climate controls to the rear of the factory radio/climate control fascia and install into the FRB-5320 panel using the factory screws.
4. Remove all factory metal panel clips and insert them in the same locations on the back of the FRB-5320 panel.



American International
Car Stereo Installation Kits & Accessories



FMK526 Mounting Kit



American International

For information about other American International automotive accessories visit our website at:

<http://www.americaninternational.net>

Automotive Products Division

1040 Avenida Acaso • Camarillo, CA 93012, U.S.A.

USA Sales (800) 336-6500 • Canada Sales (888) 922-3006 • USA Fax (805) 388-7950

CUSTOMER HELP LINE

USA 800-323-4329 • Canada 800-245-8777

iFMK526

VEHICLE APPLICATIONS

Ford

2009-12 F-150

2013-14 F-150 (with Classic Dash)