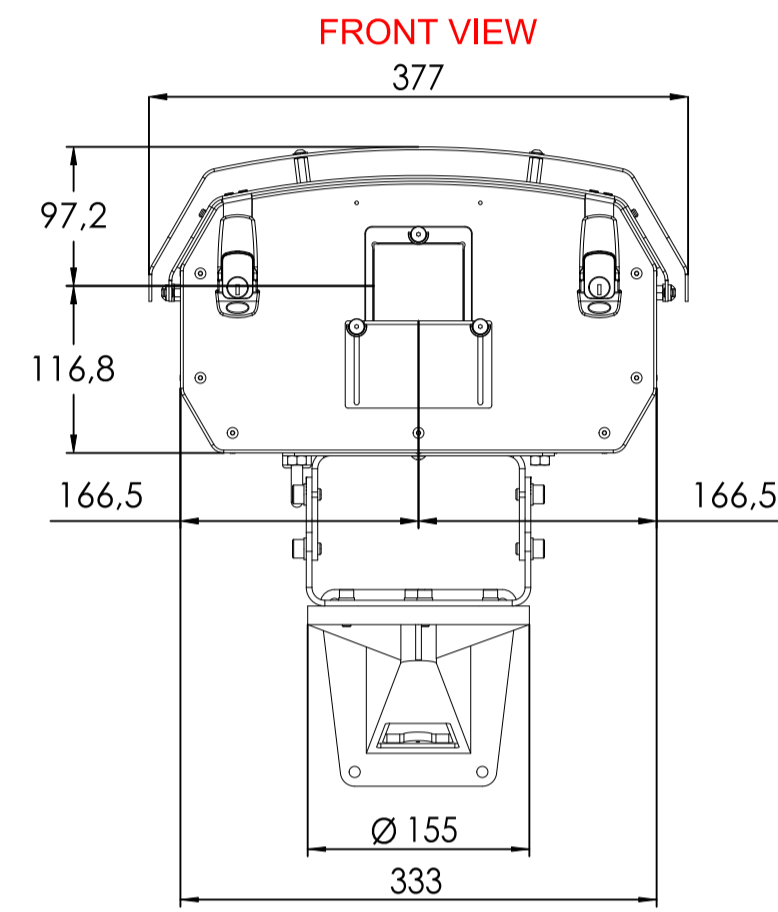


Total airflow needed for the laser projector: 78 cubic metres per hour



TOP VIEW

