

Addison

Assembly Instruction



MANDAI DESIGN
HOME OF SHOP IDEAS

Assembly video

View our instructional video for assembly.

You can scan the QR code below

or visit our YouTube channel:

<https://youtube.com/@mandaidesign>

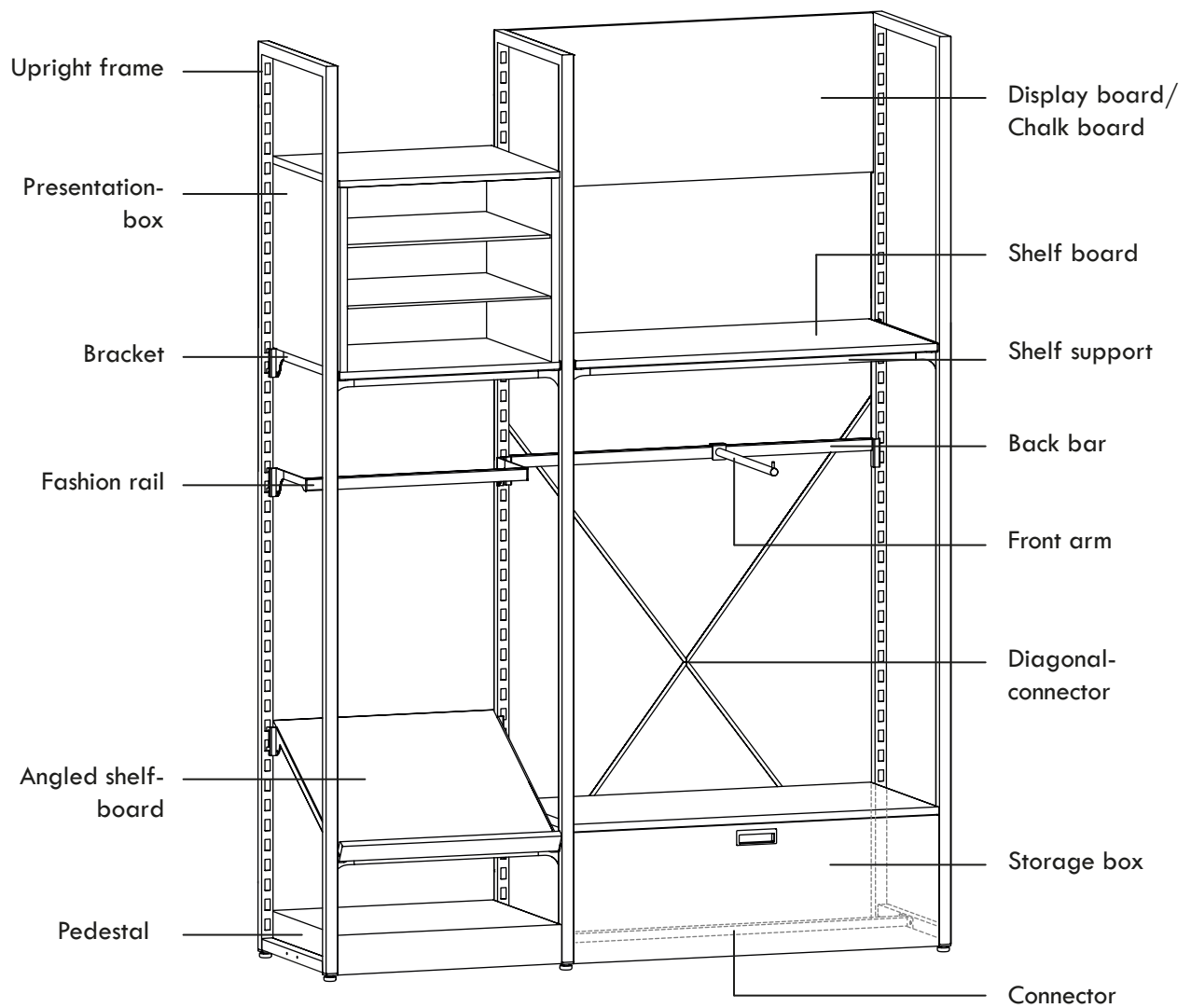


Use your smartphone camera to scan the QR code or visit our website directly at:

www.mandai-design.com/pages/assembly-instructions

Modular assembly

Addison is a versatile modular shelving system that offers our customers unlimited design possibilities. These assembly instructions cover the fundamental steps to assemble the frame, along with all available components. Please note that the configuration you ordered may not include all the components explained here.



Safety tips

Follow the assembly steps carefully. We cannot be held responsible for any errors, damages, or injuries that may occur due to improper execution. Ensure that you do not exceed the recommended weight limit of the shelf system. Make sure the shelf is assembled on a level surface.

To use Addison as a freestanding shelf, you must use the diagonal connectors to interconnect the upright frames for stability. The assembly with diagonal connectors can be found on page 15.

Any questions?

Please don't hesitate to contact us by phone:

+49 (0) 34341 40 70 950

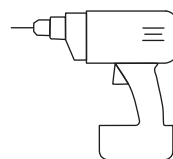
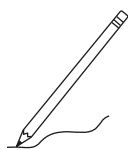
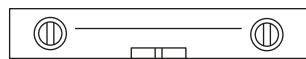
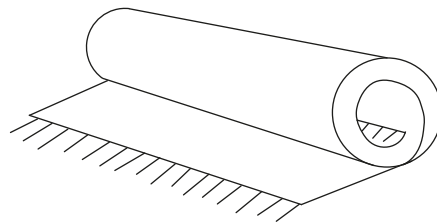
Or write us an email:

info@mandai-design.com

Plan ahead

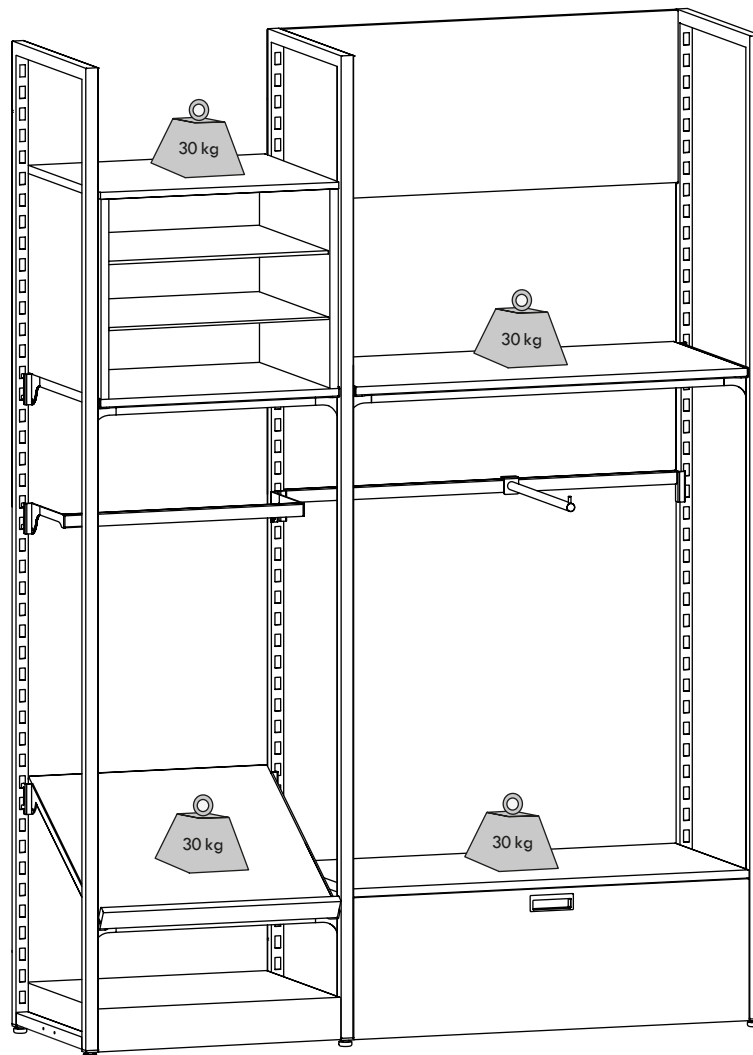
Unpack all items and organize them to get a clear overview. Verify your measurements on-site and mark the position of the shelf using tape. Place an underlay beneath the shelf for protection. When planning the placement of your shelving system, consider nearby doorways and walkways. Ensure sufficient space is allocated for movement and functionality.

Tools needed



Load capacity

In general, we recommend the use of shelf support profiles. These ensure a consistent appearance, even when the shelves carry varying loads. Shelf support profiles should always be used for each shelf when the load is between 15 kg and up to a maximum of 30 kg. The maximum weight per shelf system must not exceed 200 kg.



Accessories

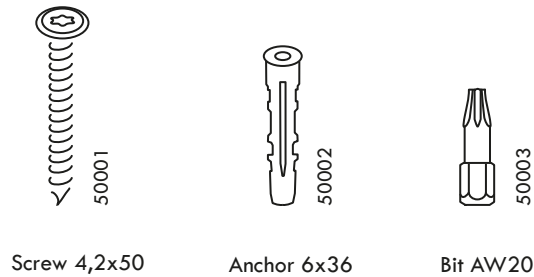
For your added convenience, we include additional screws with each order. You will find these indicated in the drawings with the corresponding number.

The wall mounting anchor is suitable for both solid and drywall.

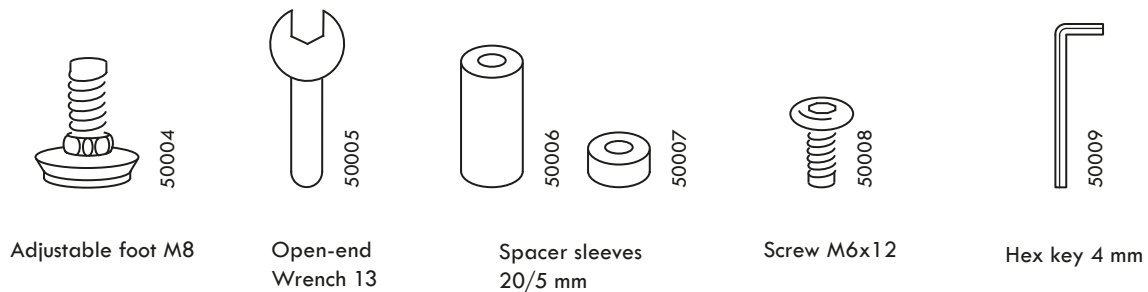
Note:

The leveling adjustable foot is pre-assembled and attached to the upright frame. The AW20 screw bit is used both for wall mounting, display/chalk board and wooden elements.

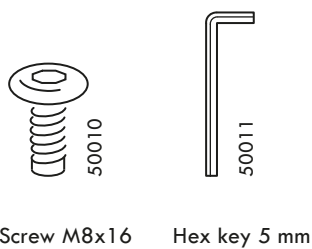
Wall mounting



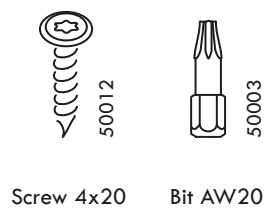
Upright frame



Diagonal connector



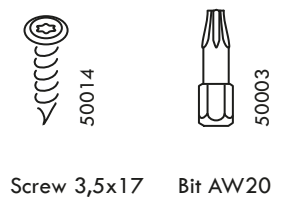
Wooden components



Glass components



Display board/ Chalk board



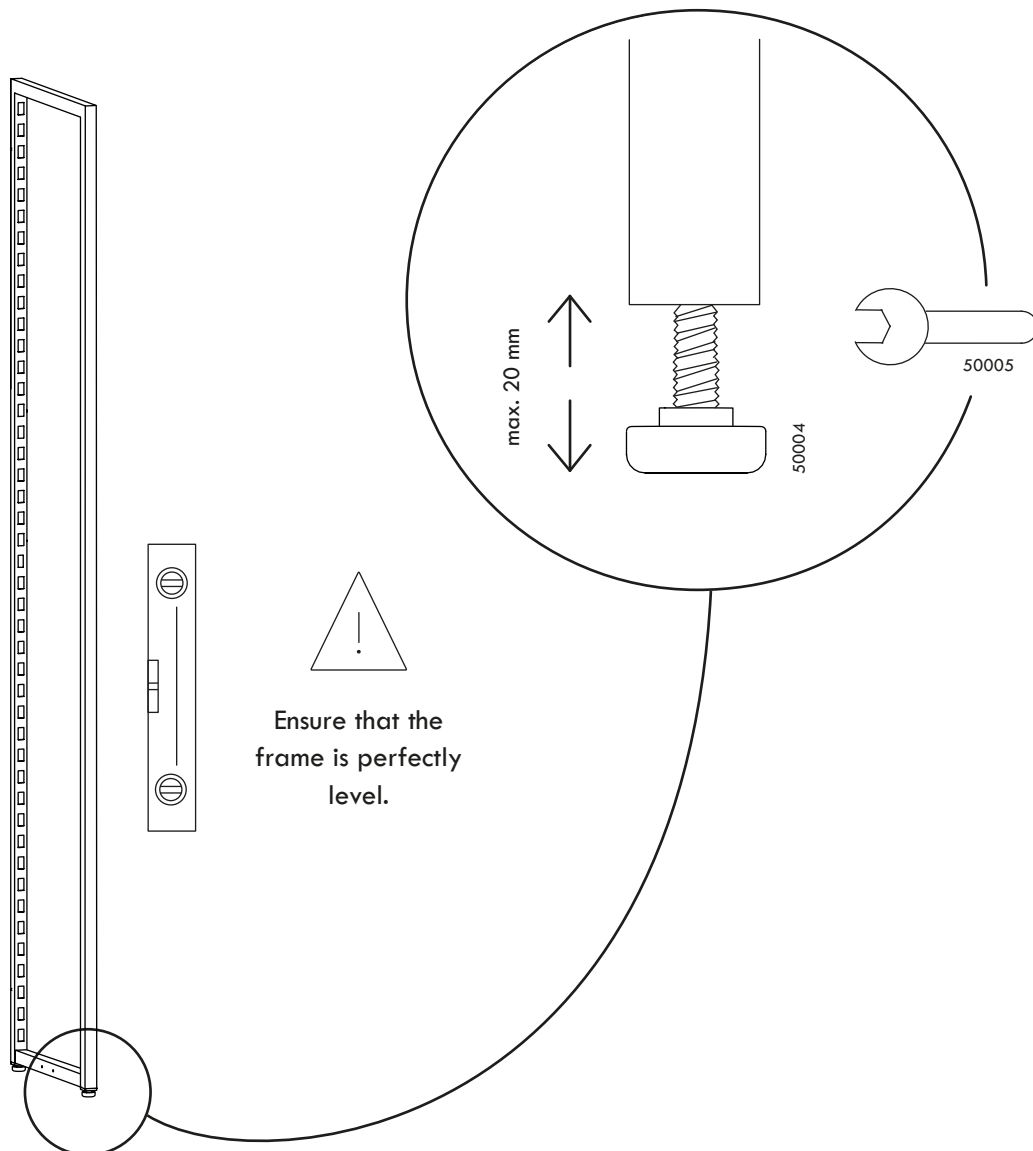
1

Frame alignment

1. Before starting, mark the beginning and the end of the shelf on the wall.
2. Set up the frame, against the wall.
3. Align the frame with a spirit level. If necessary, adjust the feet using the supplied wrench.

Note:

Pay particular attention to the back of the shelf frame, there are six holes on the backside.



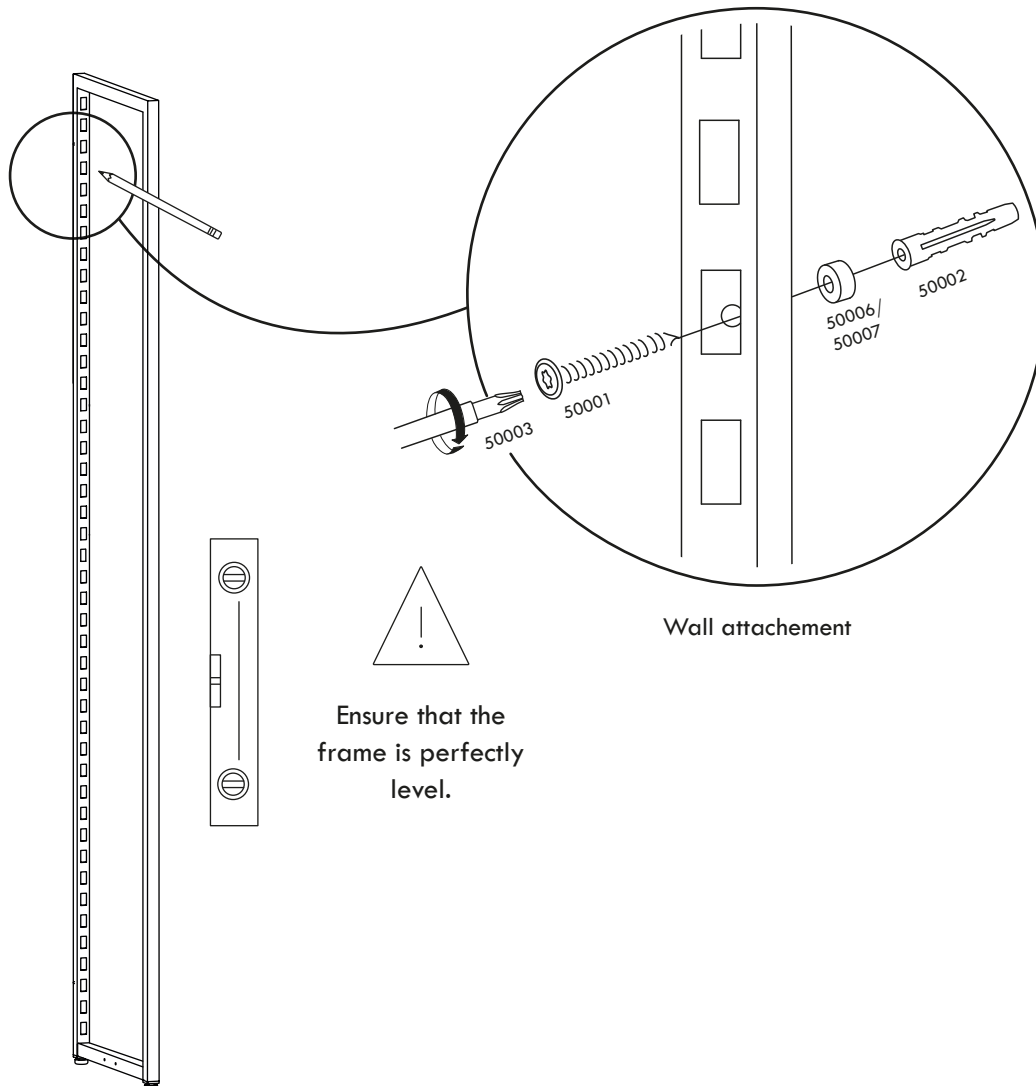
2

Wall mounting frame

1. Mark the drill holes with a pen through the hole in the mounting frame, or measure the distance.
2. Drill holes for the anchors and insert them.
3. Select the spacer sleeve so that the mounting frame is level.
4. Screw the mounting frame to the wall.

Note:

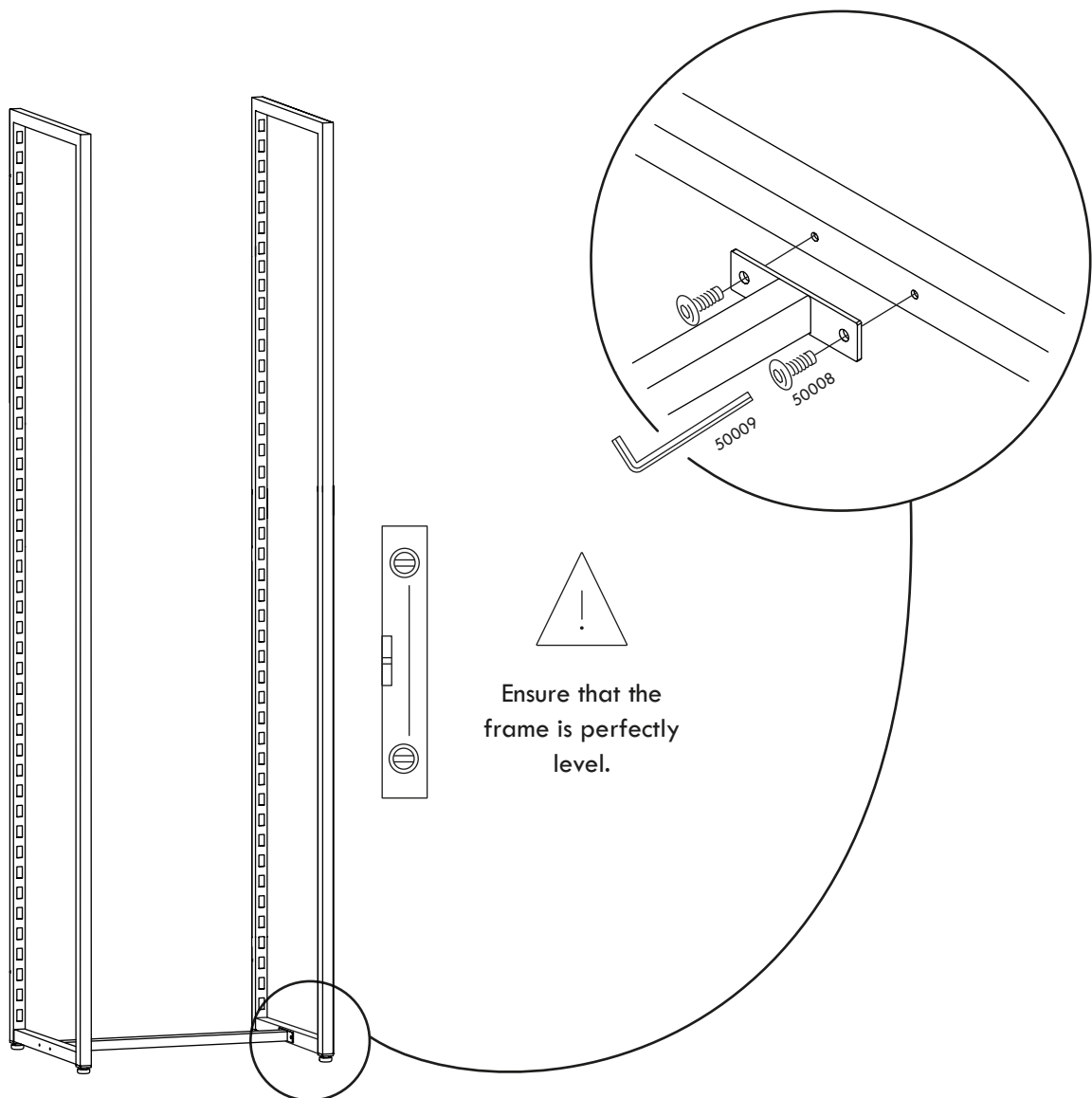
For each mounting frame, a pair of holes are provided at the top and the bottom. Only one hole need be used, the second hole serves as an alternative option.



3

Frame extension

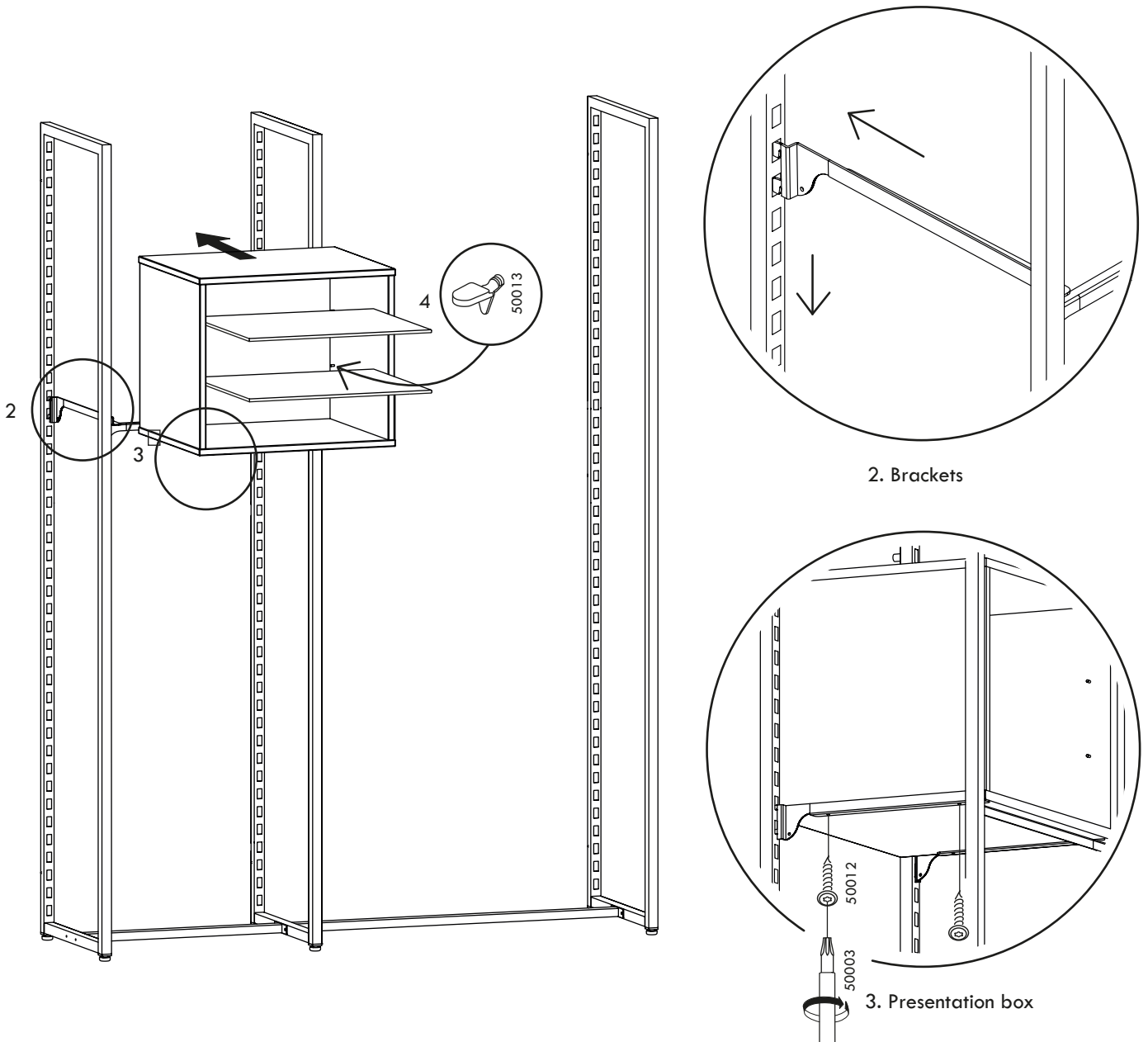
1. Screw the connector securely to the wall fixed frame at the bottom.
2. Attach the next mounting frame to the other end of the connector.
3. Align this mounting frame with the level and mark the drill holes on the wall.
4. Screw the mounting frame to the wall.
5. Repeat this process with all other mounting frames.



4

Presentation box

1. Hang the support profile at the desired height into the mounting frame.
2. Hang the two brackets at the same height.
3. Carefully slide the presentation box on the brackets. The presentation box must be flush with the front edge and secured from below with a total of four screws.
4. Insert the glass shelf supports at the desired height.
5. Place the glass shelves into the presentation box.

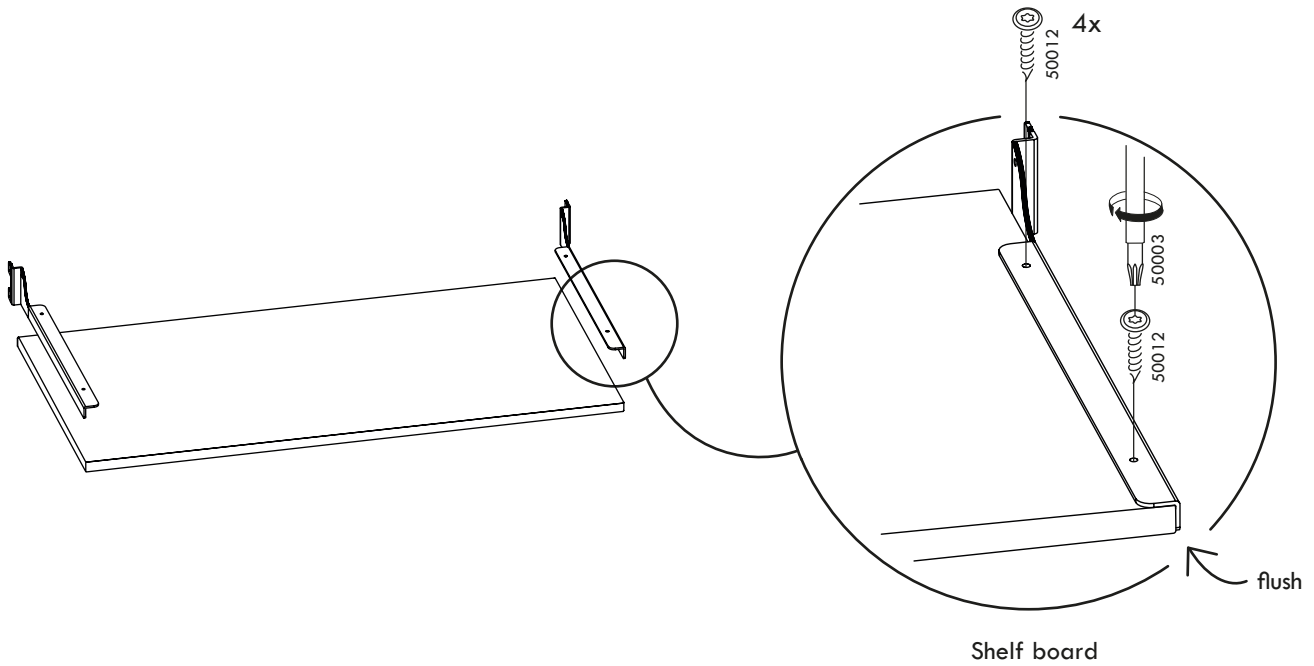


5

Shelf board, Display board + Chalk board

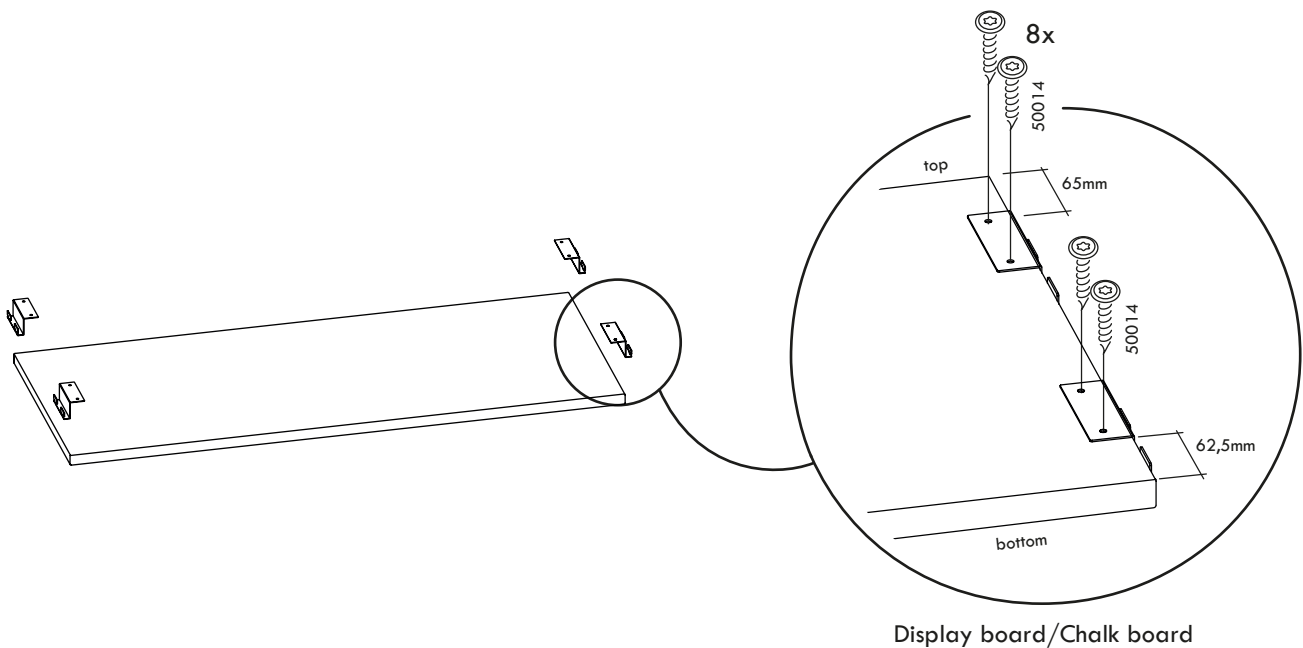
Shelf board:

Screw the brackets to the underside of the shelves.
The bracket must be flush with the front edge of the shelf.



Display board/Chalk board:

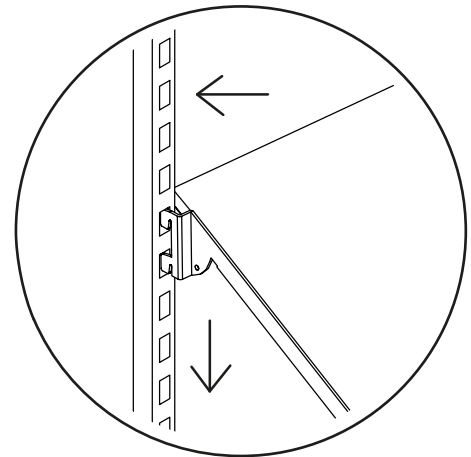
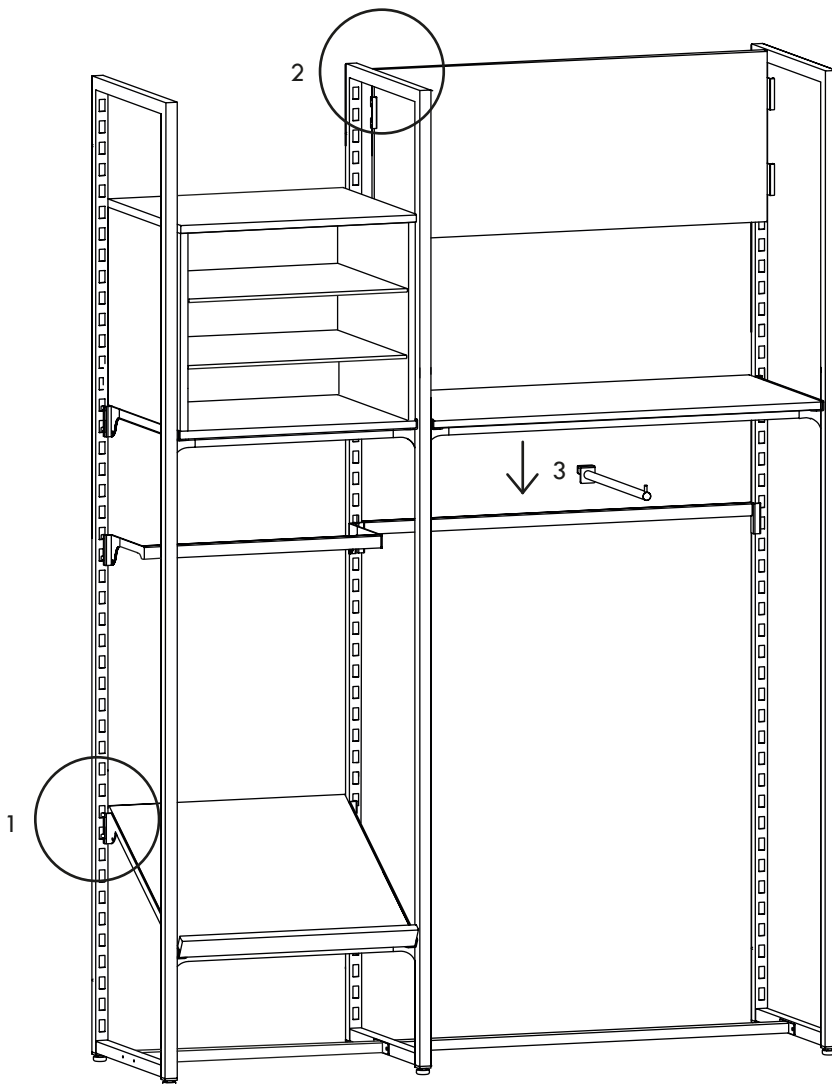
Screw the adapters to back of the board according to the dimensions specified below



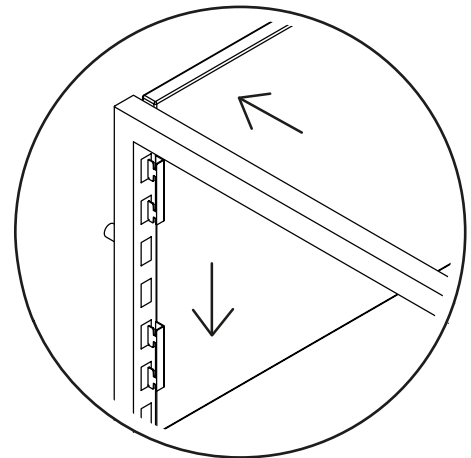
6

Shelf board, Display board, Chalk board + Display fittings

1. Hang the shelves in position and use support profiles as needed, depending on the purpose. A support profile is required for the presentation box and the angled shelf board.
2. Hang the display/chalk board in the mounting frame.
3. Hang the back bar and fashion rail and attach the respective display fittings.



1. Shelf board

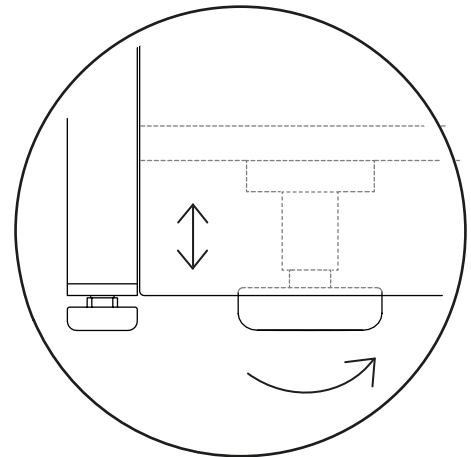
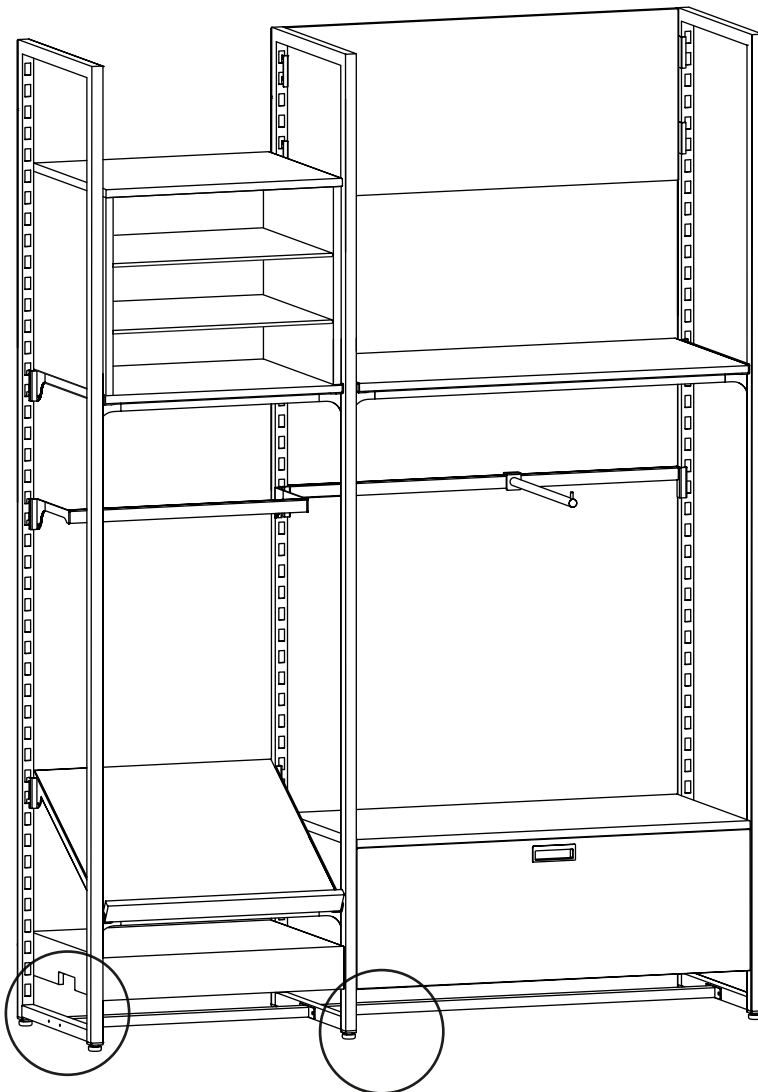


2. Display board / Chalk board

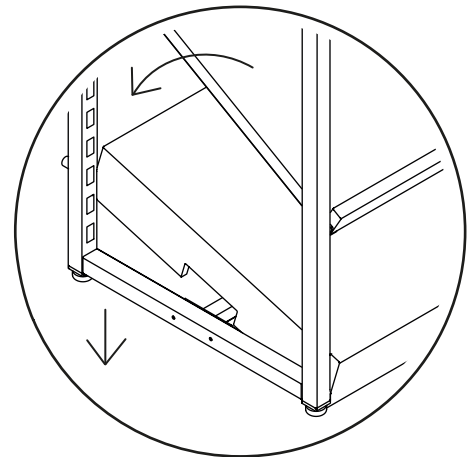
7

Storage box + Pedestal

1. Place the storage box on the connector.
 2. Adjust the feet under the storage box by turning them by hand until the desired position is reached. Ideally, the lower edge of the storage box should align with the height of the mounting frame.
- The same steps apply to the pedestal.



Storage box

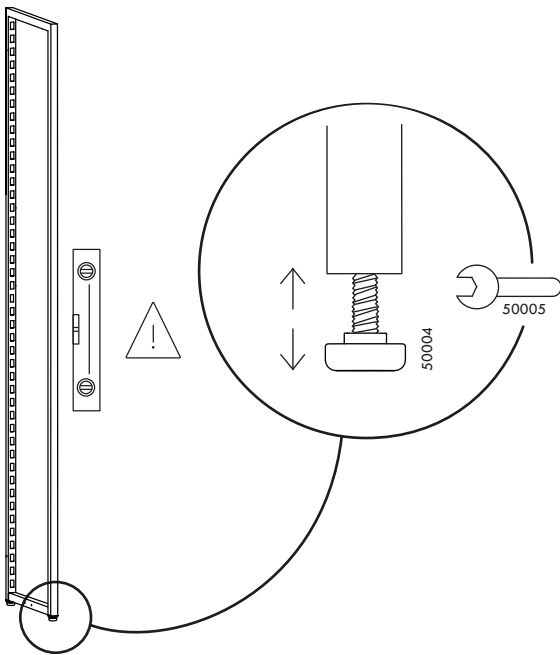


Pedestal

Free-standing shelf assembly

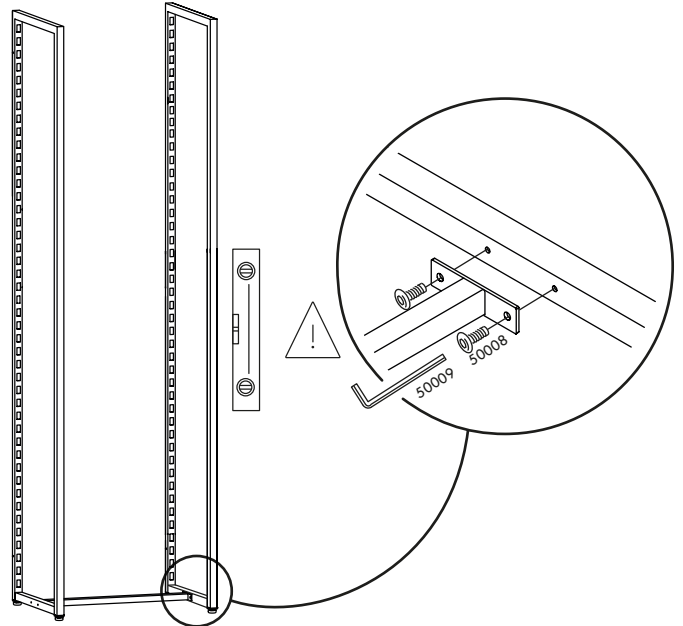
1

1. Set up the mounting frame.
2. Align the frame using a level.
3. If necessary, adjust the leveling feet with a wrench.



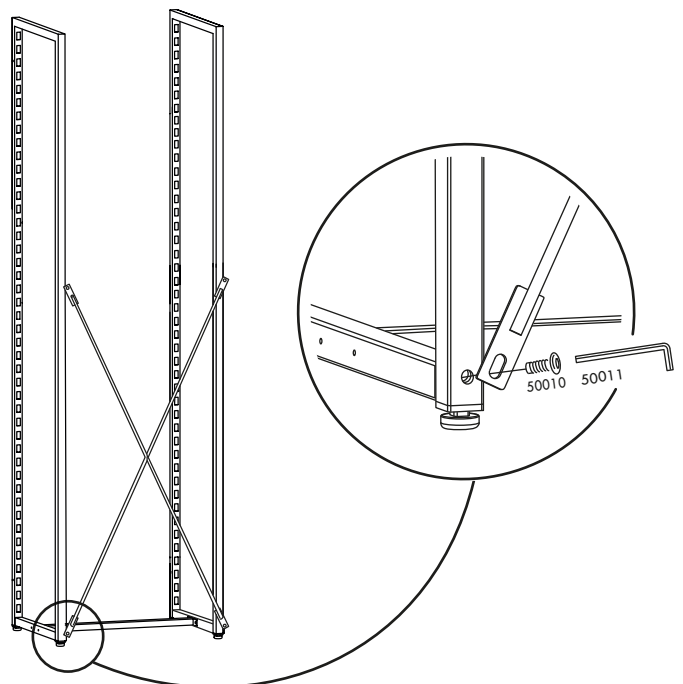
2

1. Securely attach the connector to the mounting frame.
2. Align the next mounting frame with a level and fasten it at the bottom using the connector.



3

1. Attach the diagonal connector to the mounting frame and make any necessary adjustments as needed.
2. Repeat this process with all the other mounting frames.



Contact

Mandai GmbH
Straße der Deutschen Einheit 4b
04643 Geithain

+49 (0) 34341 40 70 950
info@mandai-design.com
www.mandai-design.com

Social Media:



www.facebook.com/mandaidesignde



www.instagram.com/mandai_design_de



www.pinterest.de/mandaidesign



www.youtube.com/@mandaidesign