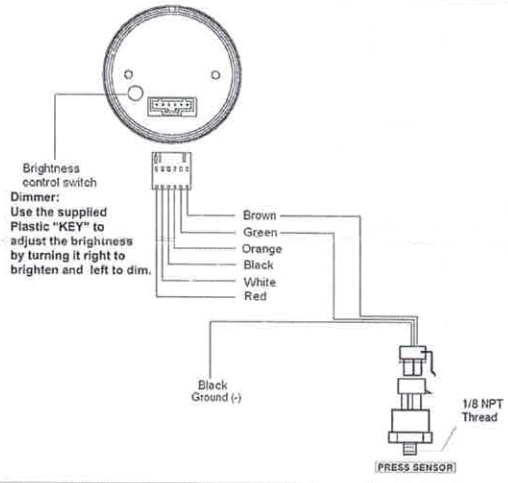


Prosport Inc.

EVO Series Oil Pressure

Green/White Display



Wiring Instructions

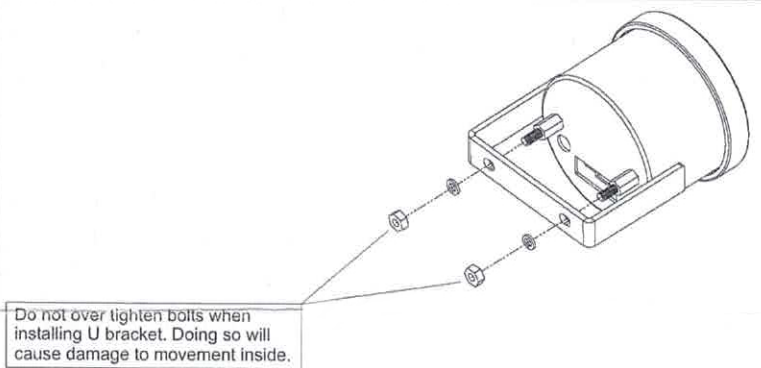
- Red Wire-** 12v Accessory Power
- White Wire-** 12v Accessory Power
- Black Wire-** Ground
- Orange Wire-** 12v Headlight Switched Power (This is a power source that only gets power when headlights are on)

*The above wiring instructions will yield white in the day and green at night
Installing the sensor:

Oil pressure sender thread pitch is 1/8th NPT It is suppose to become tighter when installing. Please do not over tighten the sensor.
Black to chassis ground
Brown from sender to brown on gauge harness.
Green from sender to green on gauge harness.

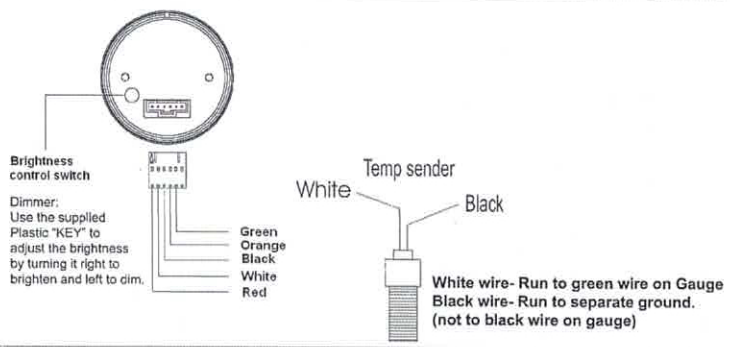
Lighting Options

Day Time	Night Time	Installation
White	White	White-- Connect to acc. Power Orange-- Do not connect
Green	Green	White-- Do not connect Orange-- Connect to acc. Power
White	Green	White-- Connect to acc. Power Orange-- Connect to Headlight Switched Power White-- Connect to Headlight Switched Power
Green	White	Orange-- Connect to acc. Power



EVO Series Oil Temp and Water Temp

Green/White Display



Wiring Instructions

- Red Wire-** 12v Accessory Power
- White Wire-** 12v Accessory Power
- Black Wire-** Ground
- Orange Wire-** 12v Headlight Switched Power (This is a power source that only gets power when headlights are on)

Green Wire- Run to the White wire on the sensor.
 Temp sensor thread pitch is 1/8th NPT. It is suppose to become tighter when installing. Please do not over tighten the sensor.

