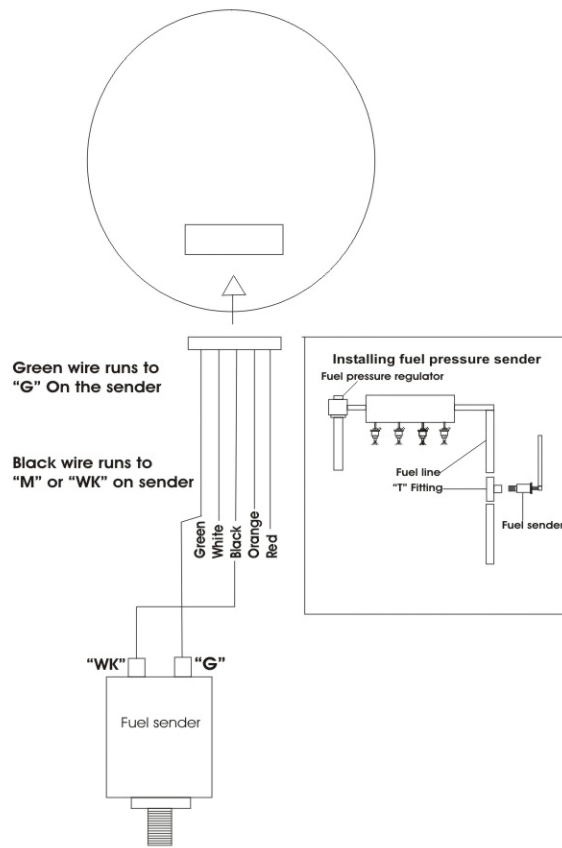


Prosport Inc.

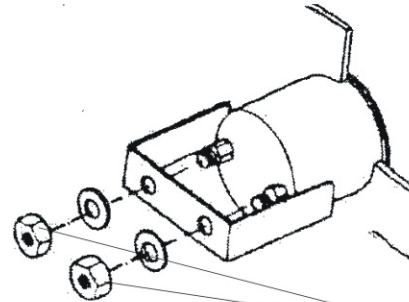
Performance Fuel Pressure Gauge

Amber/White Display (270° Scale)



Wiring Instructions

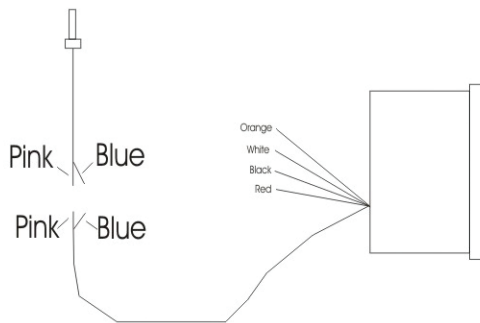
Red- 12V Accessory power
 Black-Ground
 White-Accessory power on
 Orange-Headlight switch
 (when headlights are turned
 on, gauge turns amber)



Do not over tighten bolts when
 installing U bracket. Doing so will
 cause damage to movement inside.

Performance Exhaust gas temp Gauge

Amber/White Display (270° Scale)



You will need to drill and tap a 1/8th NPT fitting for the probe to go
 into. We recommend a professional to tap this. Try to avoid shavings
 from going into the manifold or exhaust.

Wiring Instructions

Red-12v Accessory power
 Black- Ground
 White- Accessory power on
 Orange- Headlight Switch(Once headlights
 are turned on the gauge turns amber).

Lighting Diagram

Day Time	Night Time	Installation
White	White	White — Connect to acc. Power Amber — Do not connect
Amber	Amber	White — Do not connect Amber — Connect to acc. Power
White	Amber	White — Connect to acc. Power Amber — Connect to parking lamp
Amber	White	White — Connect to acc. Power Amber — Connect to parking lamp