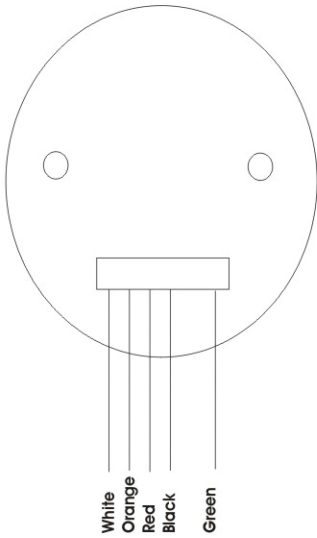


# Prosport Inc.

## Performance A/F Analog Gauge

Amber/White Display (270° Scale)



### Wiring Instructions

Red- 12V Accessory power  
 Black - Ground  
 White- Accessory power on  
 Orange- Headlight switch  
 (Once you turn the headlights  
 on the gauge turns amber)  
 Green-Output signal off the  
 O2 sensor.

### Lighting Diagram

| Day Time | Night Time |   |
|----------|------------|---|
| White    | White      | White — Connect to acc. Power<br>Amber — Do not connect                       |
| Amber    | Amber      | White — Do not connect<br>Amber — Connect to acc. Power                       |
| White    | Amber      | White — Connect to acc. Power *Most<br>Amber — Connect to parking lamp Common |
| Amber    | White      | Amber — Connect to acc. Power<br>White — Connect to parking lamp              |

### Notes

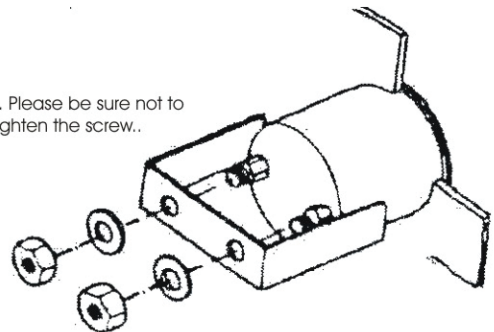
~When the engine is under heavy load the monitor should indicate rich. At cruising speeds the monitor will appear to be bouncing back and forth between rich and lean. This is normal. The computer is constantly adjusting the A/F ratio for performance and low exhaust emissions.

~All oxygen sensors must be heated to 600° F Before an accurate reading is produced.

~**Caution:** Do not connect OHM meters to the oxygen sensor, or touch wire to ground or power. Damage to oxygen sensor will result. If a volt meter is to be used, only use a high Impedance (10 mega OHM or higher) Digital meter.

|                      |                 |
|----------------------|-----------------|
| <b>Lean Range</b>    | (.050 to .249V) |
| <b>Optimal Range</b> | (.250 to .794V) |
| <b>Rich Range</b>    | (.750 to 1.00V) |

\*Note. Please be sure not to over tighten the screw..



Installing U bracket.