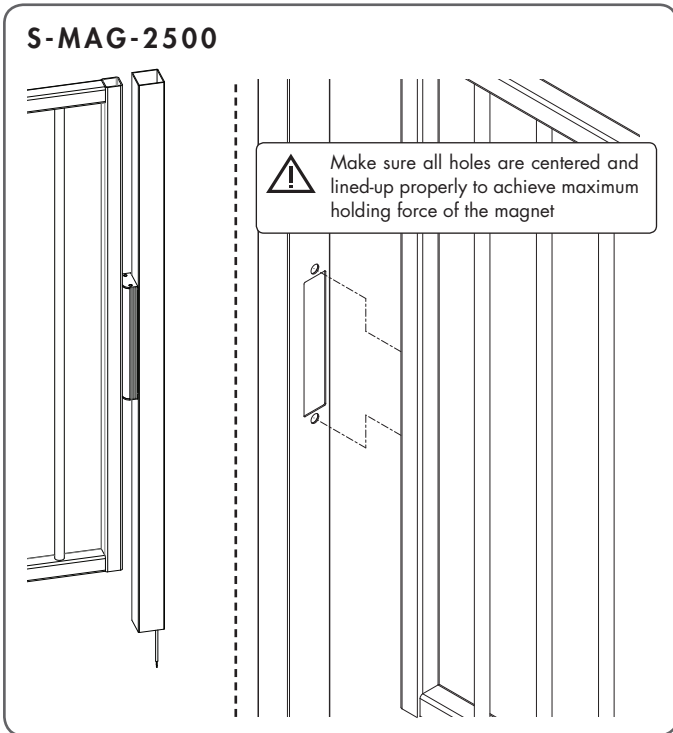


# LOCINOX®

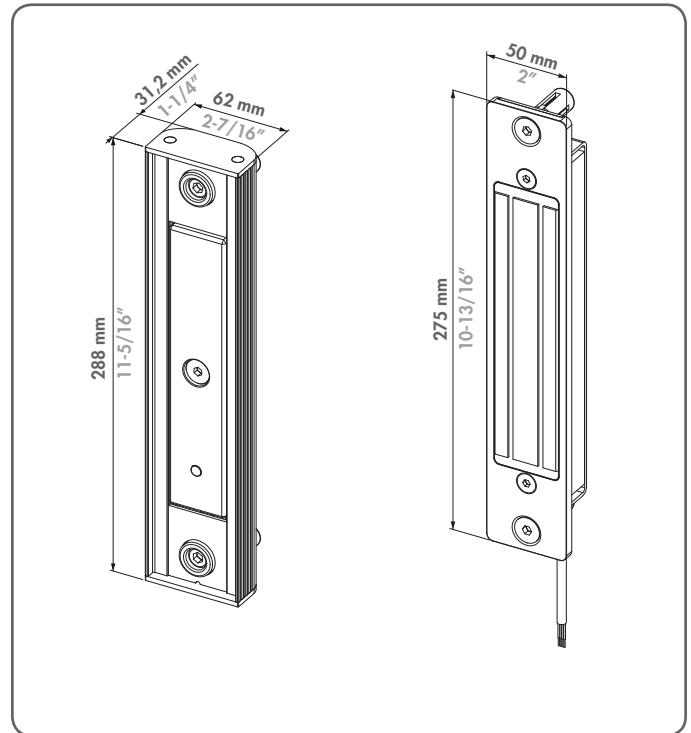
Let's make better fences together

## S-MAG-2500

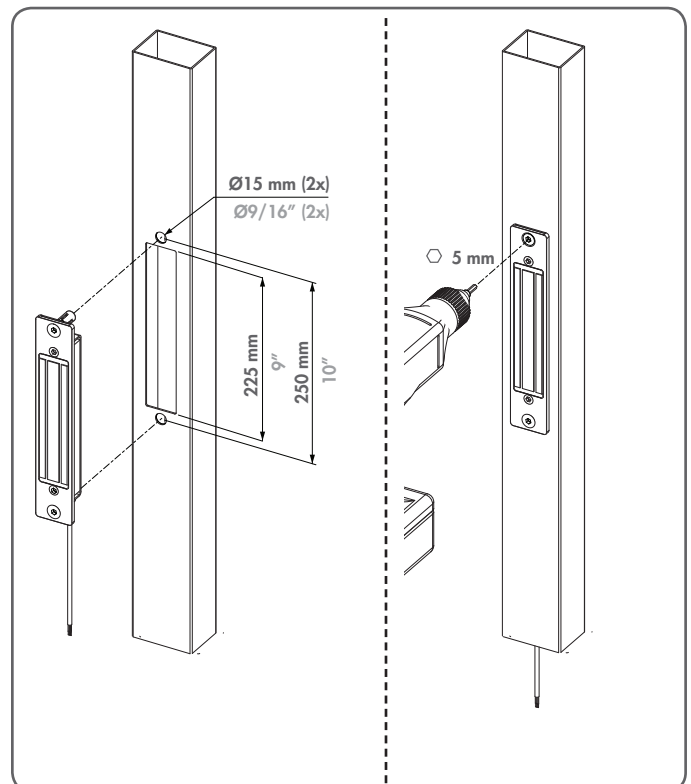
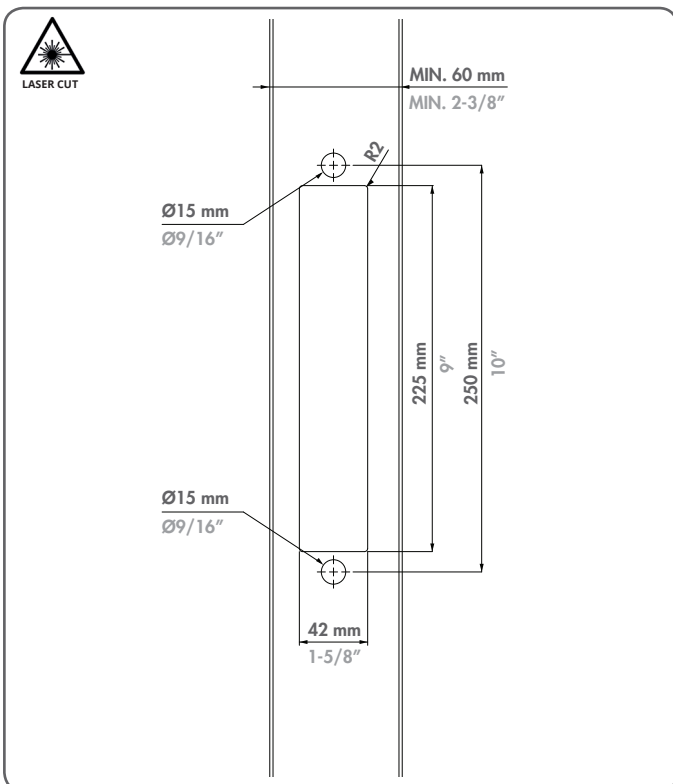
### ① OVERVIEW



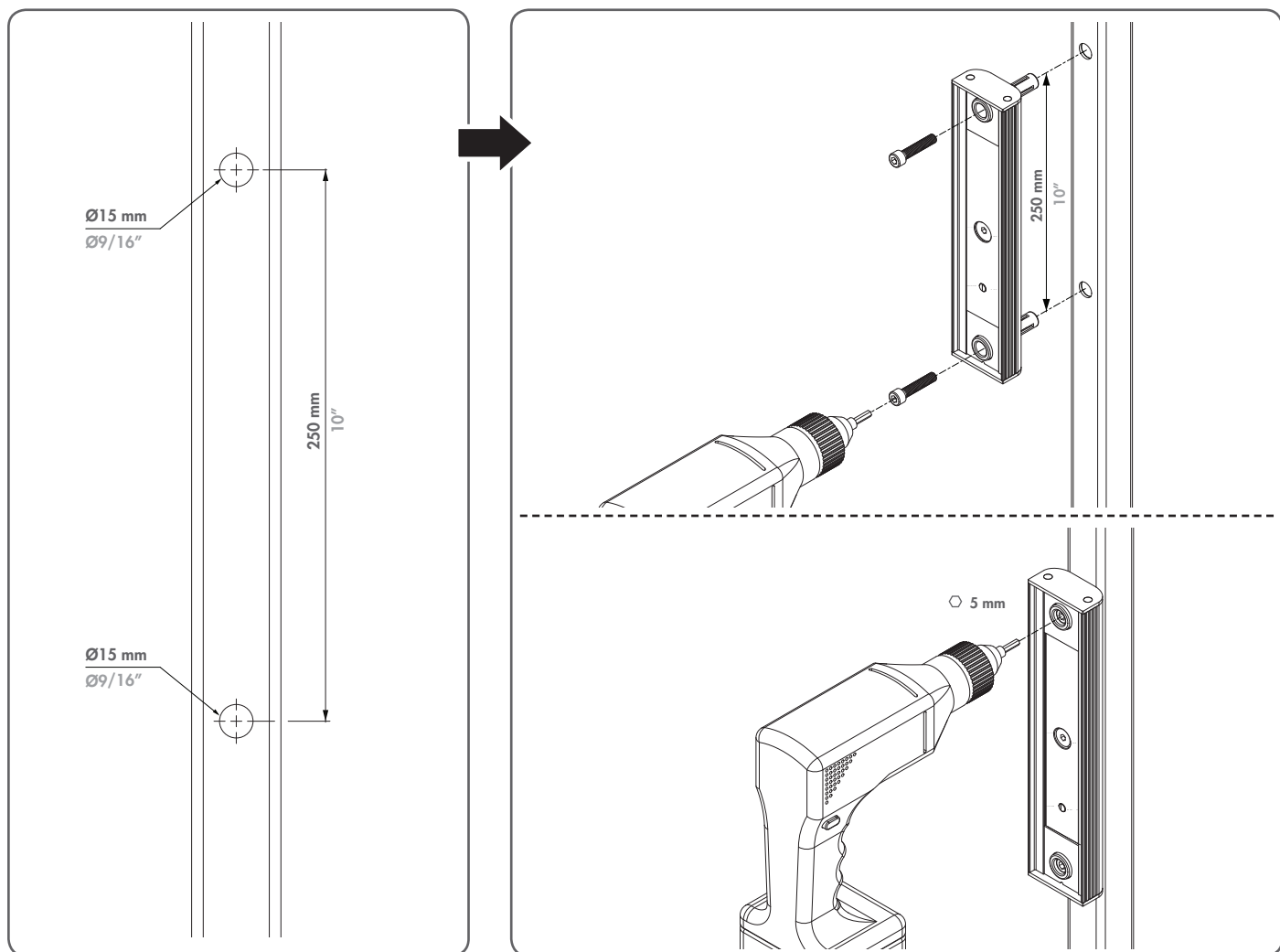
### ② PACKAGE CONTENT & DIMENSIONS



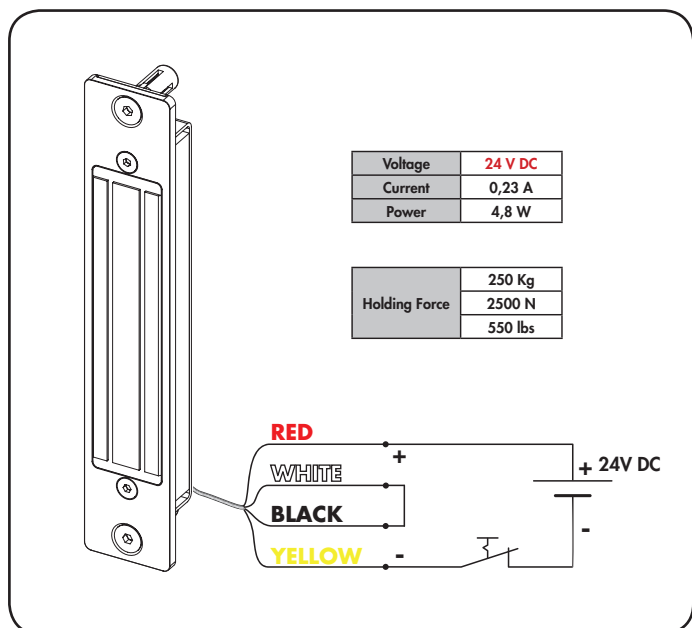
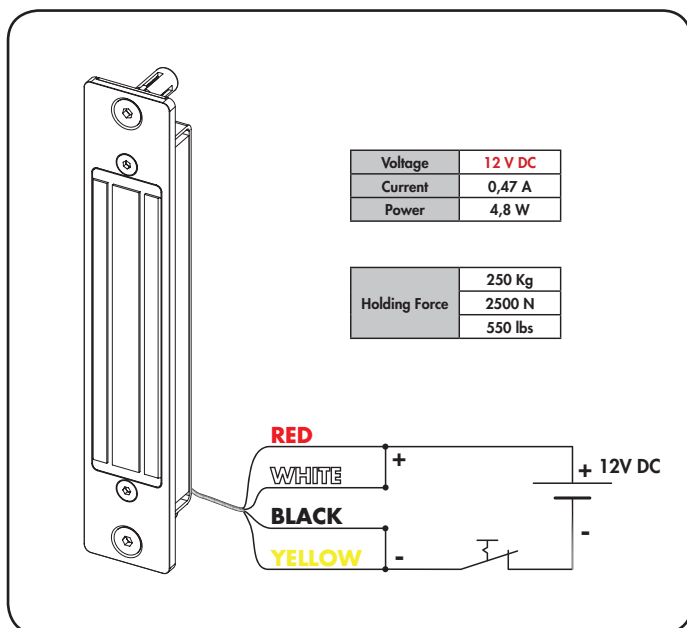
### ③ MAGNET POST PREPARATION AND MOUNTING



#### ④ S-MAG-2500 GATE PREPARATION AND MOUNTING



#### ⑤ 12 AND 24V DC - SITUATION



**LOCINOX**<sup>®</sup>  
Let's make better fences together

Doc. Nr.: MANU-000230

Locinox nv • Mannebeekstraat 21 • B-8790 Waregem • Belgium - Europe  
Tel. +32 (0)56 77 27 66 • Fax. +32 (0)56 77 69 26 • E-mail: locinox@locinox.com



\* M A N U - 0 0 0 2 3 0 \*