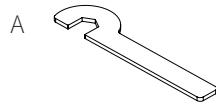


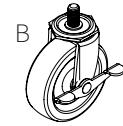
Tools Included for Assembly

A. 17mm Wrench

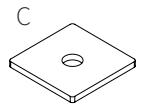


Hardware Included for Assembly

B. Caster Wheel x4

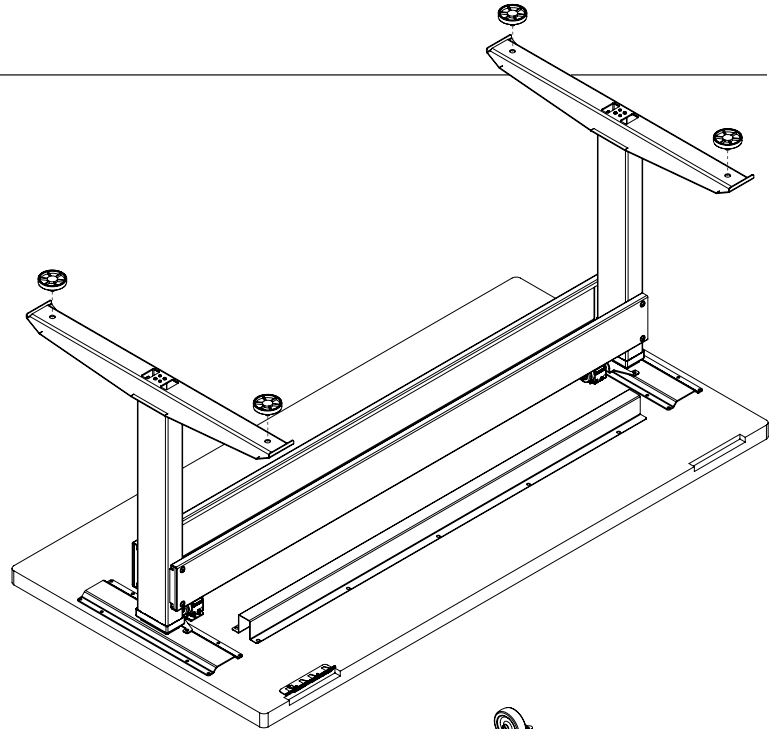


C. Reinforcement Plate x4



Step 1

- Remove leveler from each foot by turning by hand.
- Store levelers for future use.



Step 2

- Place the plates onto the casters stems.
- Install casters onto the foot.
Legs will vary depending on what you ordered

