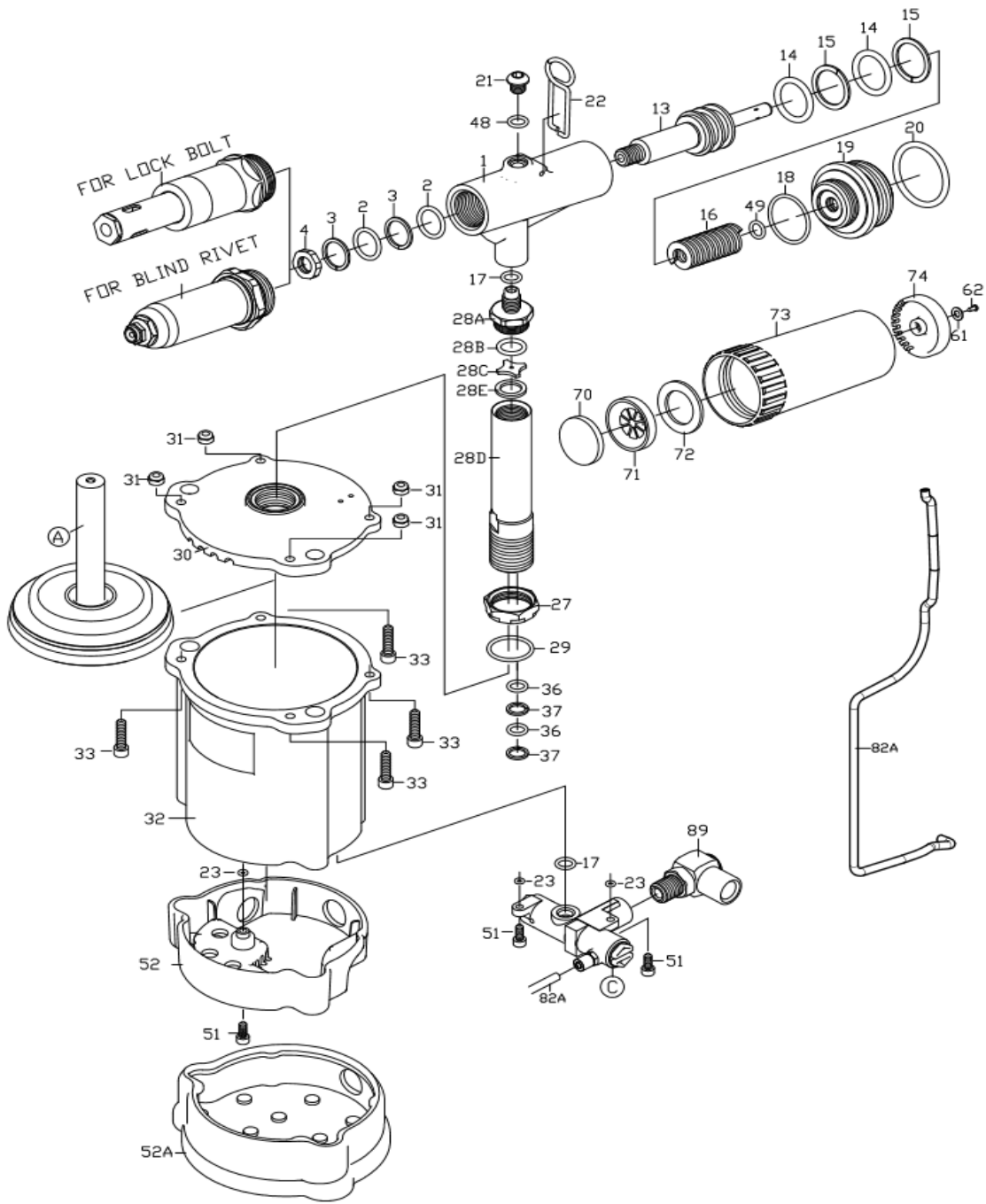
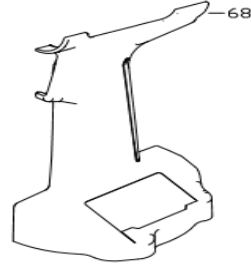
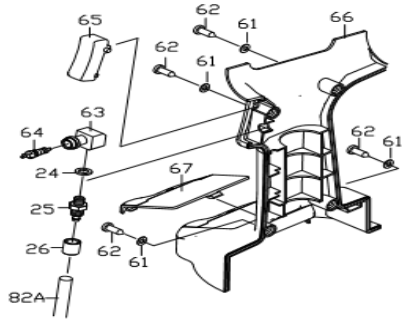
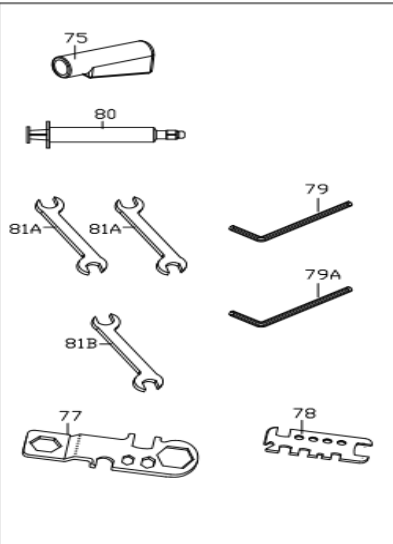
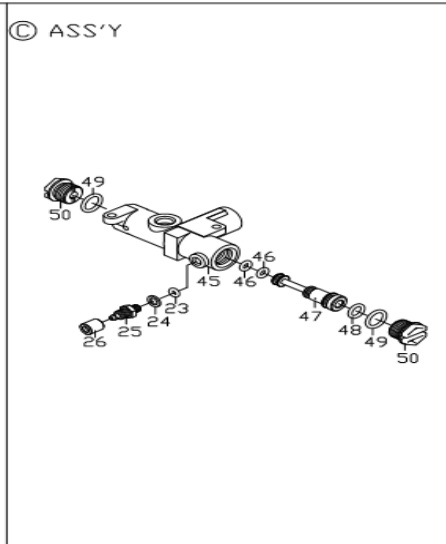
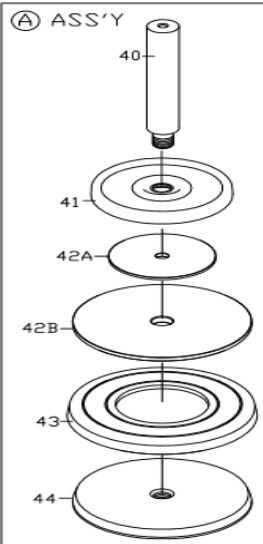


**ZT2318H / ZT2318HK**  
**Air Hydraulic Lock Bolt Tool / Air Hydraulic Lock Bolt Tool Kit**





2318RS	FOR RIVET 4.8mm,6.4mm(3/16",1/4")	2318RS-8	FOR RIVET 8mm(5/16")																																																
FOR LOCK BOLT		FOR #90 ASS'Y																																																	
		<table border="1"> <tr> <td>TYPE</td> <td>202HB2</td> <td>FOR 1/4" BOM ASS'Y</td> </tr> </table>		TYPE	202HB2	FOR 1/4" BOM ASS'Y																																													
TYPE	202HB2	FOR 1/4" BOM ASS'Y																																																	
<table border="1"> <thead> <tr> <th>INDEX</th> <th>PART#</th> <th>DESCRIPTION</th> <th>QT'Y</th> </tr> </thead> <tbody> <tr> <td>90-1</td> <td>202B1</td> <td>SWAGING ANVIL</td> <td>1</td> </tr> <tr> <td>90-2</td> <td>202HC12</td> <td>COLLET</td> <td>1</td> </tr> <tr> <td>90-3</td> <td>202HC13</td> <td>JAWS</td> <td>3</td> </tr> <tr> <td>90-4</td> <td>202HC14</td> <td>FOLLOWER</td> <td>1</td> </tr> <tr> <td>90-5</td> <td>202HC15</td> <td>SPRING</td> <td>1</td> </tr> <tr> <td>90-6</td> <td>202HC16</td> <td>COLLET COUPLER</td> <td>1</td> </tr> <tr> <td>90-7</td> <td>231HB17</td> <td>PINTAIL TUBE</td> <td>1</td> </tr> </tbody> </table>		INDEX	PART#	DESCRIPTION	QT'Y	90-1	202B1	SWAGING ANVIL	1	90-2	202HC12	COLLET	1	90-3	202HC13	JAWS	3	90-4	202HC14	FOLLOWER	1	90-5	202HC15	SPRING	1	90-6	202HC16	COLLET COUPLER	1	90-7	231HB17	PINTAIL TUBE	1																		
INDEX	PART#	DESCRIPTION	QT'Y																																																
90-1	202B1	SWAGING ANVIL	1																																																
90-2	202HC12	COLLET	1																																																
90-3	202HC13	JAWS	3																																																
90-4	202HC14	FOLLOWER	1																																																
90-5	202HC15	SPRING	1																																																
90-6	202HC16	COLLET COUPLER	1																																																
90-7	231HB17	PINTAIL TUBE	1																																																
FOR LOCK BOLT-90 ASS'Y		FOR LOCK BOLT-90 ASS'Y																																																	
A TYPE	202HC1	FOR 3/16" C6L ASS'Y	B TYPE	202HM1	FOR 3/16" MAGNA-GRIP ASS'Y																																														
<table border="1"> <thead> <tr> <th>INDEX</th> <th>PART#</th> <th>DESCRIPTION</th> <th>QT'Y</th> </tr> </thead> <tbody> <tr> <td>90-1</td> <td>202HC11</td> <td>SWAGING ANVIL</td> <td>1</td> </tr> <tr> <td>90-2</td> <td>202HC12</td> <td>COLLET</td> <td>1</td> </tr> <tr> <td>90-3</td> <td>202HC13</td> <td>JAWS</td> <td>3</td> </tr> <tr> <td>90-4</td> <td>202HC14</td> <td>FOLLOWER</td> <td>1</td> </tr> <tr> <td>90-5</td> <td>202HC15</td> <td>SPRING</td> <td>1</td> </tr> <tr> <td>90-6</td> <td>202HC16</td> <td>COLLET COUPLER</td> <td>1</td> </tr> </tbody> </table>		INDEX	PART#	DESCRIPTION	QT'Y	90-1	202HC11	SWAGING ANVIL	1	90-2	202HC12	COLLET	1	90-3	202HC13	JAWS	3	90-4	202HC14	FOLLOWER	1	90-5	202HC15	SPRING	1	90-6	202HC16	COLLET COUPLER	1	<table border="1"> <thead> <tr> <th>INDEX</th> <th>PART#</th> <th>DESCRIPTION</th> <th>QT'Y</th> </tr> </thead> <tbody> <tr> <td>90-1</td> <td>202HM11</td> <td>SWAGING ANVIL</td> <td>1</td> </tr> <tr> <td>90-2</td> <td>202HC12</td> <td>COLLET</td> <td>1</td> </tr> <tr> <td>90-3</td> <td>202HM13</td> <td>JAWS SET</td> <td>1</td> </tr> <tr> <td>90-4</td> <td>202HC24</td> <td>COLLET COUPLER</td> <td>1</td> </tr> </tbody> </table>		INDEX	PART#	DESCRIPTION	QT'Y	90-1	202HM11	SWAGING ANVIL	1	90-2	202HC12	COLLET	1	90-3	202HM13	JAWS SET	1	90-4	202HC24	COLLET COUPLER	1
INDEX	PART#	DESCRIPTION	QT'Y																																																
90-1	202HC11	SWAGING ANVIL	1																																																
90-2	202HC12	COLLET	1																																																
90-3	202HC13	JAWS	3																																																
90-4	202HC14	FOLLOWER	1																																																
90-5	202HC15	SPRING	1																																																
90-6	202HC16	COLLET COUPLER	1																																																
INDEX	PART#	DESCRIPTION	QT'Y																																																
90-1	202HM11	SWAGING ANVIL	1																																																
90-2	202HC12	COLLET	1																																																
90-3	202HM13	JAWS SET	1																																																
90-4	202HC24	COLLET COUPLER	1																																																
FOR LOCK BOLT-90 ASS'Y		FOR LOCK BOLT-90 ASS'Y																																																	
C TYPE	231HC2	FOR 1/4" C6L ASS'Y	D TYPE	231HM2	FOR 1/4" MAGNA-GRIP ASS'Y																																														
<table border="1"> <thead> <tr> <th>INDEX</th> <th>PART#</th> <th>DESCRIPTION</th> <th>QT'Y</th> </tr> </thead> <tbody> <tr> <td>90-1</td> <td>202HC21</td> <td>SWAGING ANVIL</td> <td>1</td> </tr> <tr> <td>90-2</td> <td>202HC12</td> <td>COLLET</td> <td>1</td> </tr> <tr> <td>90-3</td> <td>202HC23</td> <td>JAWS SET</td> <td>1</td> </tr> <tr> <td>90-4</td> <td>231HC24</td> <td>COLLET COUPLER</td> <td>1</td> </tr> </tbody> </table>		INDEX	PART#	DESCRIPTION	QT'Y	90-1	202HC21	SWAGING ANVIL	1	90-2	202HC12	COLLET	1	90-3	202HC23	JAWS SET	1	90-4	231HC24	COLLET COUPLER	1	<table border="1"> <thead> <tr> <th>INDEX</th> <th>PART#</th> <th>DESCRIPTION</th> <th>QT'Y</th> </tr> </thead> <tbody> <tr> <td>90-1</td> <td>202HM21</td> <td>SWAGING ANVIL</td> <td>1</td> </tr> <tr> <td>90-2</td> <td>202HC12</td> <td>COLLET</td> <td>1</td> </tr> <tr> <td>90-3</td> <td>202HM23</td> <td>JAWS SET</td> <td>1</td> </tr> <tr> <td>90-4</td> <td>231HC24</td> <td>COLLET COUPLER</td> <td>1</td> </tr> </tbody> </table>		INDEX	PART#	DESCRIPTION	QT'Y	90-1	202HM21	SWAGING ANVIL	1	90-2	202HC12	COLLET	1	90-3	202HM23	JAWS SET	1	90-4	231HC24	COLLET COUPLER	1								
INDEX	PART#	DESCRIPTION	QT'Y																																																
90-1	202HC21	SWAGING ANVIL	1																																																
90-2	202HC12	COLLET	1																																																
90-3	202HC23	JAWS SET	1																																																
90-4	231HC24	COLLET COUPLER	1																																																
INDEX	PART#	DESCRIPTION	QT'Y																																																
90-1	202HM21	SWAGING ANVIL	1																																																
90-2	202HC12	COLLET	1																																																
90-3	202HM23	JAWS SET	1																																																
90-4	231HC24	COLLET COUPLER	1																																																

### TECHNICAL DATA

Traction Power	lbf(kgf)	5000(2300)
Stroke Length	mm	18
Net Weight	lbs(kgs)	5.6(2.5)
Nosepieces Equipped	inch(mm)	3/16"HUCK-C6L 3/16"MAGNA-GRIP 1/4"MAGNA-GRIP (ZT2318H with one size lock bolt nose assembly only)
Max. Capacity		ZT2318HK with all size nose assembly 1/4" HUCK-C6L / 1/4" MAGNA-GRIP

## PARTS LIST

Index #	Part #	Description	Q'ty	US\$/PC	Index #	Part #	Description	Q'ty	US\$/PC
1	231101R	Hydraulic Section	1	69.5	62	ST0310	Screw (5)	5	0.3
*2	OR1217	O-RING (2)	2	0.3	63	107602	Valve Body	1	2.4
*3	BR1217	Back-Up Ring (2)	2	0.9	64	107601	Bleeding Valve	1	0.3
4	202306	Nut	1	0.8	65	107201R	Trigger	1	2
5A.	202315	Connector (for Lock Bolt)	1	3.7	66	202107RV	Plastic Grip-Right	1	14.2
12A.	202115	Head(for Lock Bolt)	1	41.8	67	202107C	Battery Cap	1	2.9
12B.	202113	Lock Nut (for Lock Bolt)	1	8.5	68	202107LV	Plastic Grip-Left	1	14.2
13	202301	Hydraulic Plunger	1	57.7	70	919904	Silencer	1	0.3
*14	OR2835	O-RING (2)	2	0.3	71	919903	Muffler Seat	1	0.9
*15	BR2835	Back-Up Ring (2)	2	0.3	72	919905	Silencer	1	0.3
16	202309	Return Spring	1	14.6	73	919901	Mandrel Collector	1	2.2
17	OR0812	O-RING (3)	3	0.2	74	919906	Muffler Cap	1	0.9
18	OR3034	O-RING	1	0.3	75	612901	Deflector	1	1.5
19	202102	Rear Gland	1	20.8	79	314755	5mm Hex. Wrench	1	0.3
20	OR3542	O-RING	1	0.3	79A.	314966	6mm Hex. Wrench	1	0.4
21	HR00812508	Set Screw	1	0.5	80	922901	Oiler	1	5.1
22	258801	Hanger	1	1.6	82A	202704A	2.5x4 PU Hose	1	2.5
23	OR0306	O-RING (9)	9	0.3	89	92L2	Air Inlet Assembly	1	6.8
24	612714	Washer (6)	6	0.3	90	202HC1	For 3/16" HUCK-C6L ass'y(for Lock Bolt)	1	105
25	612717	Socket (5)	5	1.1		202HM1	For 3/16" MAGNA-GRIP ass'y(for Lock Bolt)	1	105
26	612711	Cap (6)	6	0.5		231HC2	For 1/4" HUCK-C6L ass'y(for Lock Bolt)	1	105
27	520106	Nut	1	2.2		202HM2	For 1/4" MAGNA-GRIP ass'y(for Lock Bolt)	1	105
28A.	5201082	Hydraulic Tube Connector-	1	17.4		<b>2318RS-8 FOR BLIND RIVET 8MM(5/16") (OPT.)</b>			
28B	OR1417	O-RING	1	0.2					
28C	8211012	Hydraulic Tube Washer	1	0.3	5B	202305	Jaw Housing Coupler (for Blind Rivet)	1	5.3
28D	2311081	Hydraulic Tube Connector-	1	23.3	6	OR1417	O-RING (for Blind Rivet)	1	0.2
28E	5201083	Washer	1	1.2	7A	202308	Spring (for Blind Rivet)	1	1.1
29	OR2025	O-RING	1	0.5	8A	202302	Jaw Pusher (for Blind Rivet)	1	3.2
30	202401R	Upper Cover	1	19.2	9A	202303	Jaw (3) (for Blind Rivet)	3	4.5
31	NN005080B	Nut (4)	4	0.3	10A	202304	Jaw Hosing (for Blind Rivet)	1	7.5
32	202403R	Air Cylinder Body	1	36	11	819106	Lock Nut (for Blind Rivet)	1	3.3
33	HC00508020	Set Screw (4)	4	0.3	12	819105	Head(for Blind Rivet) (for Blind Rivet)	1	19.1
*36	OR1520	O-RING (2)	2	0.3	87A	819709SUS	Nose Piece 3/16" (4.8mm) (for Blind Rivet)	1	4.3
*37	BR1520	Back-Up Ring (2)	2	0.3		<b>2318RS FOR BLIND RIVET 4.8MM(3/16"), 6.4MM(1/4") (OPT.)</b>			
40	231501	Plunger Rod	1	23.2					
41	202505	Bumper Ring	1	2.4	5	202325	Jaw Housing Coupler (for Blind Rivet)	1	4.7
42A.	202504	Front Head Disc A	1	4.1	6	OR1417	O-RING (for Blind Rivet)	1	0.2
42B	202503	Front Head Disc B	1	5.5	7	819308	Spring (for Blind Rivet)	1	1.1
43	920505	Packing Ring	1	5.1	8	214302	Jaw Pusher (for Blind Rivet)	1	3.2
44	202502	Lower Plate	1	6.8	9	819303	Jaw (2) (for Blind Rivet)	2	3.3
45	231201	Valve Case	1	17.8	10	819324	Jaw Housing (for Blind Rivet)	1	9.2
*46	OR0408	O-RING (2)	2	0.3	11	819106	Lock Nut (for Blind Rivet)	1	3.3
47	919202A	Valve Stem	1	1.4	12	819105	Head(for Blind Rivet)	1	19.1
*48	OR0711	O-RING	1	0.2	87	612706	Nose Piece 3/16" (4.8mm) (for Blind Rivet)	1	1
*49	OR1014	O-RING (3)	3	0.3		612708	Nose Piece 1/4" (6.4mm) (for Blind Rivet)	1	1
50	107409	Inlet Plug (2)	2	0.5	77	612904	Multi-Wrench (A)	1	1.5
51	HC00407010	Set Screw (3)	3	0.3	78	918905	Multi-Wrench (B)	1	1.7
52	202402	Base	1	11.3	81A	144905	17x19 Wrench (2)	2	4.4
52A	202404	Rubber Boot	1	4.8	81B	144906	19X21 Wrench	1	5.4
61	PW0306	Washer (7)	7	0.3					

\*\*FREQUENCY REPLACEMENT PARTS

DATE : 2014.06.27