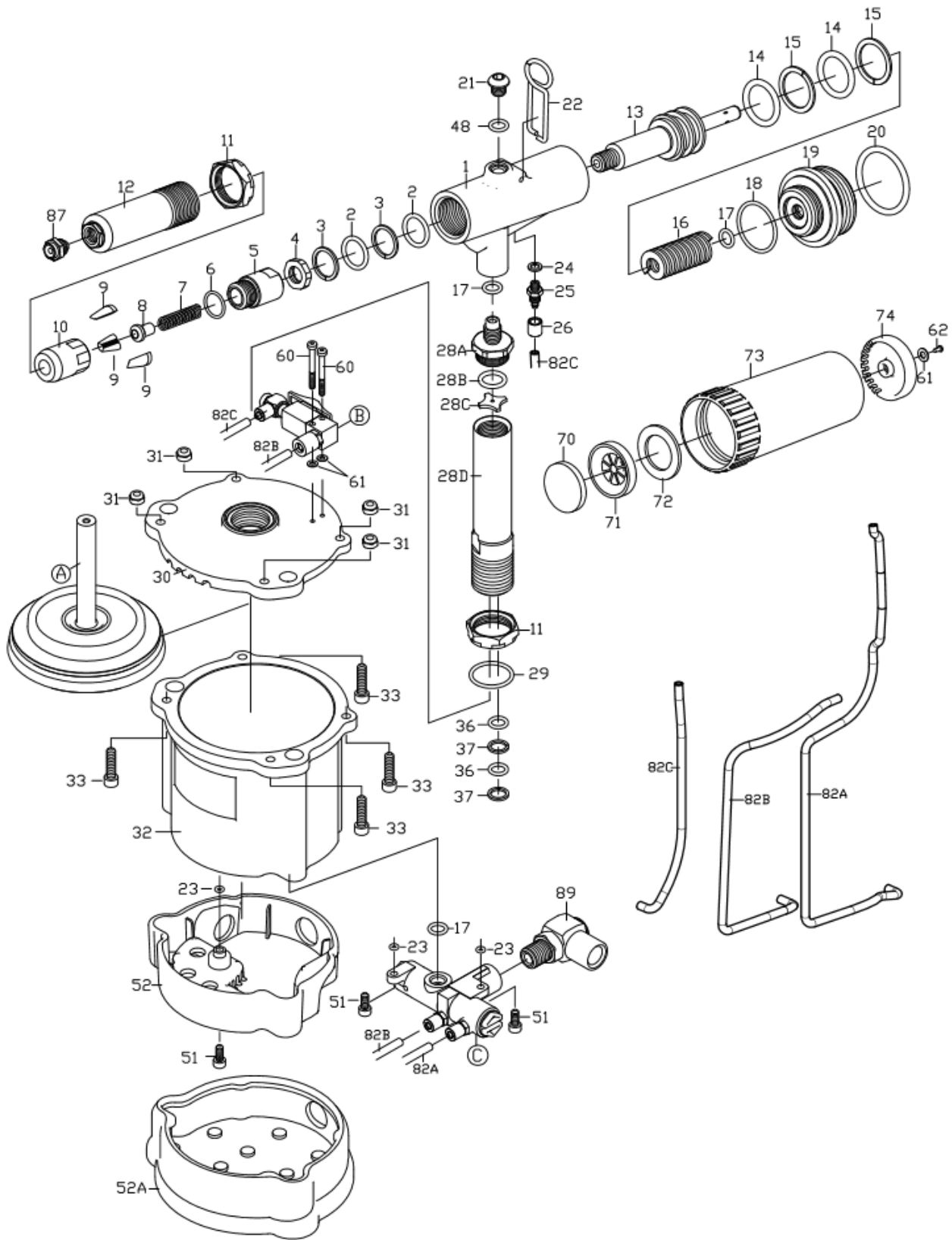
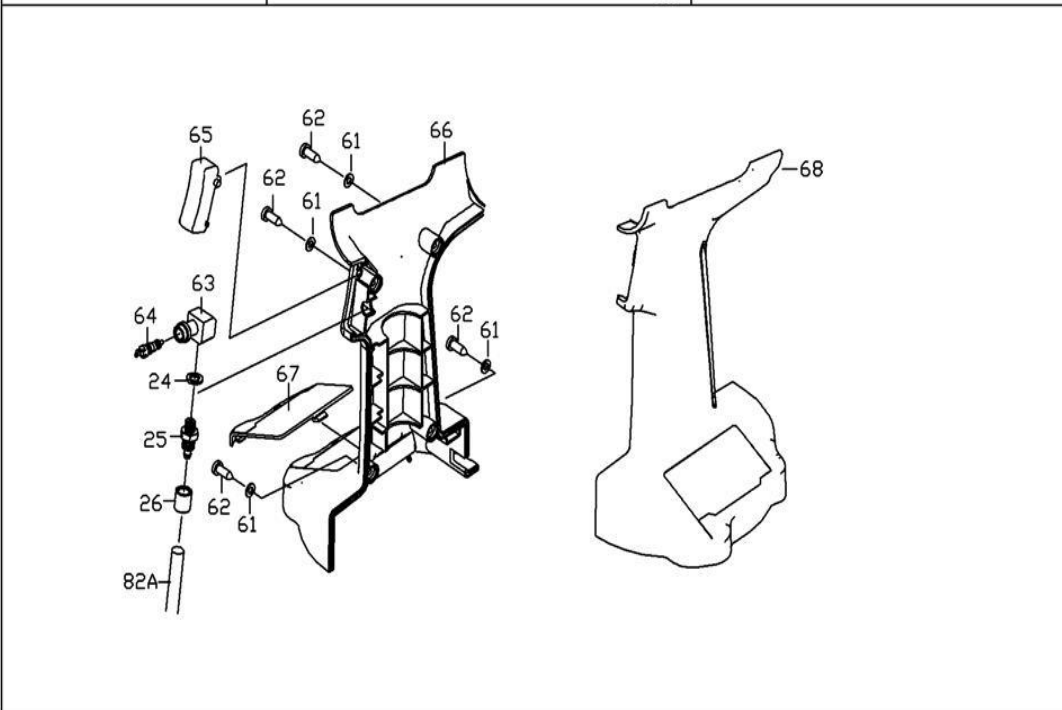
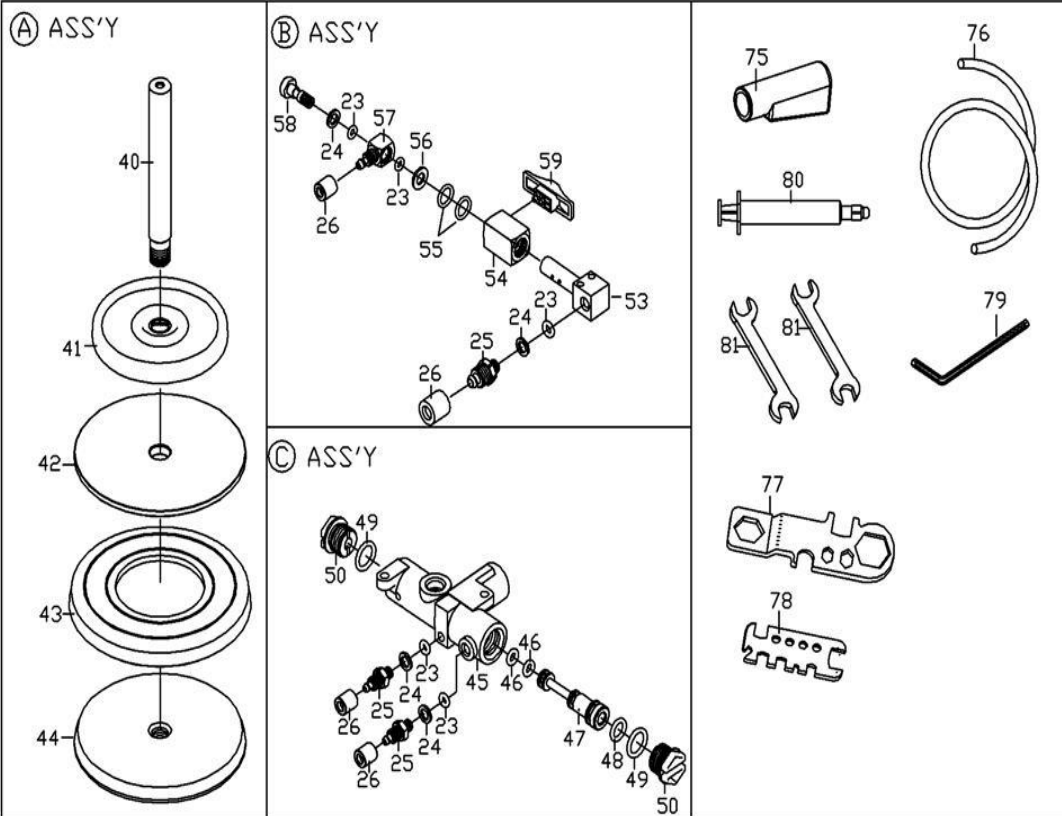


ZT0922 3/16" (4.8mm) Air Hydraulic Riveter





TECHNICAL DATA

Traction Power lbf(kgf)	:	2000(920)
Stroke Length mm	:	22
Net Weight lbs(kgs)	:	4.2(1.9)
Nosepieces Equipped inch(mm)	:	3/16"(4.8), 5/32" (4.0), Monobolt 3/16" (4.8)
Max. Capacity	:	Max. 3/16"(4.8mm) blind rivets in all materials

PARTS LIST

Index #	Part #	Description	Q'ty	Index #	Part #	Description	Q'ty
1	922101R	Hydraulic Section	1	*46.	OR0408	O-RING (2)	2
*2.	OR1621	O-RING (2)	2	47	919202A	Valve Stem	1
*3.	BR1621	Back-Up Ring (2)	2	*48.	OR0711	O-RING	1
4	214306	Nut	1	*49.	OR1014	O-RING (2)	2
5	214305	Jaw Housing Coupler	1	50	107409	Inlet Plug (2)	2
6	OR1417	O-RING	1	51	HC00407010	Set Screw (3)	3
7	922308	Spring	1	52	922402	Base	1
8	922302	Jaw Pusher	1	52A	922404	Rubber Boot	1
*9.	819313	Jaw (3)	3	53	922701	Vacuum Valve	1
10	612324A	Jaw Hosing	1	54	922702	Sleeve	1
11	918106	Lock Nut (2)	2	55	OR0811	O-RING (2)	2
12	612105	Head	1	56	PW0510	Washer	1
13	922301	Hydraulic Plunger	1	57	612712	Swivel	1
*14.	OR2229	O-RING (2)	2	58	612713	Socket	1
*15.	BR2229	Back-Up Ring (2)	2	59	922703	Vacuum Switch	1
16	922309	Return Spring	1	60	HC00305020	Set Screw (2)	2
17	OR0812	O-RING (4)	4	61	PW0306	Washer (7)	7
18	OR2832	O-RING	1	62	ST0310	Screw (5)	5
19	922102	Rear Gland	1	63	107602	Valve Body	1
20	OR3542	O-RING	1	64	107601	Bleeding Valve	1
21	HR00812508	Set Screw	1	65	107201R	Trigger	1
22	258801	Hanger	1	66	922107RV	Plastic Grip-Right	1
23	OR0306	O-RING (8)	8	67	922107C	Battery Cap	1
24	612714	Washer (6)	6	68	922107LV	Plastic Grip-Left	1
25	612717	Socket (5)	5	70	919904	Silencer	1
26	612711	Cap (6)	6	71	919903	Muffler Seat	1
28A.	9221082	Hydraulic Tube Connec	1	72	919905	Silencer	1
28B	OR1417	O-RING	1	73	919901	Mandrel Collector	1
28C	8211012	Hydraulic Tube Washe	1	74	919906	Muffler Cap	1
28D	9221081	Hydraulic Tube Connec	1	75	612901	Deflector	1
29	OR2025	O-RING	1	76	612902	PU Tube (OPT.)	1
30	922401R	Upper Cover	1	77	612904	Multi-Wrench (A)	1
31	NN005080B	Nut (4)	4	78	918905	Multi-Wrench (B)	1
32	922403R	Air Cylinder Body	1	79	314755	5mm Hex. Wrench	1

Index #	Part #	Description	Q'ty	Index #	Part #	Description	Q'ty
33	HC00508020	Set Screw (4)	4	80	922901	Oiler	1
*36.	OR1419	O-RING (2)	2	81	144905	17x19 Wrench (2)	2
*37.	BR1419	Back-Up Ring (2)	2	82A	922704A	2.5x4 PU Hose	1
40	922501	Plunger Rod	1	82B	922704B	2.5x4 PU Hose	1
41	202505	Bumper Ring	1	82C	922704C	2.5x4 PU Hose	1
42	107503	Front Head Disc	1	87	612705	Nose Piece 5/32"(4.0mm)	1
43	819502	Packing Ring	1	88	612706	Nose Piece 3/16"(4.8mm)	1
44	107502	Lower Plate	1	89	92L2	Air Inlet Assembly	1
45	919211	Valve Case	1	90	0922SK	Service Kit (opt.)	
						(No.02x2,03x2,09x3,14x2, 15x2,36x2, 37x2,46x2,48,49x2)	

* Frequency replacement parts

Date : 2014.03.05