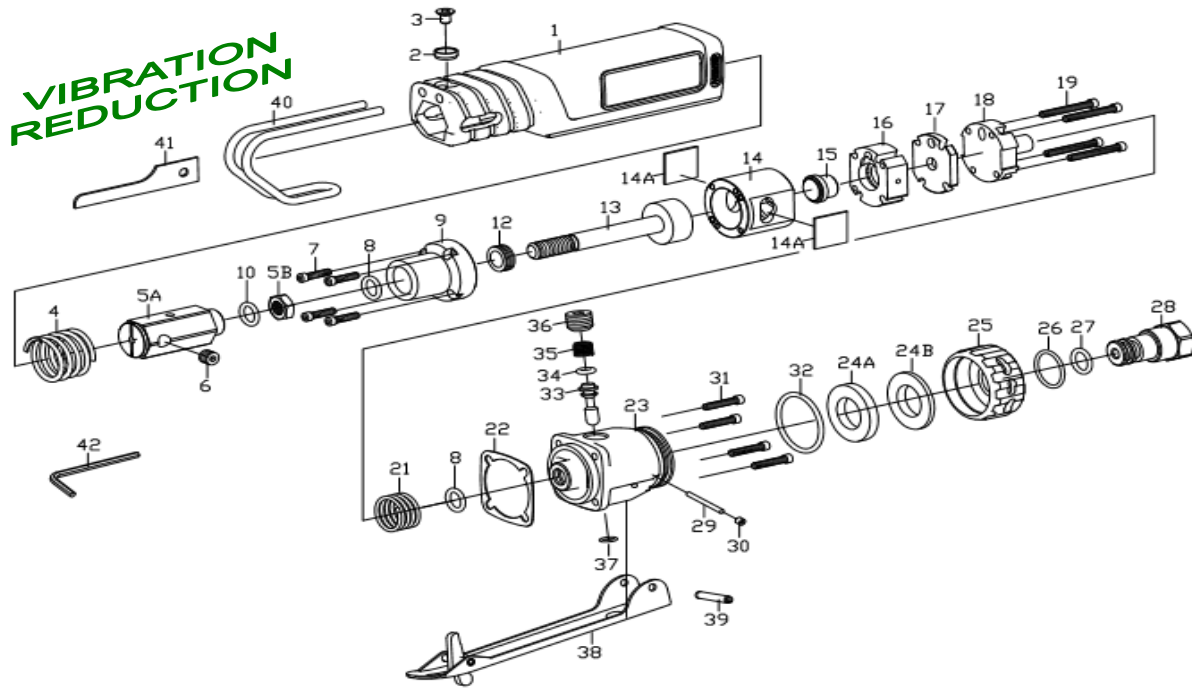


ZS311M Anti-Vibration Air Mini Body Saw



TECHNICAL DATA

Blow Per Min.	B.P.M	10000
Stroke Length	mm	10
Avg. Air Cons.	cfm(l/min)	13.6(393)
Net. Weight	lbs(kgs)	1.0(0.45)
Air Inlet Size	inch-NPT/PT	1/4"
Min. Hose Size	inch(mm)	3/8(10)
Vibration	m/s2	4.3
Sound Pressure	dB(A)	80.4

PARTS LIST

Index #	Part #	Description	Q'ty	Index #	Part #	Description	Q'ty
1	311M101B	Body	1	24A.	301709	Muffler	1
2	315104	Spacer	1	24B	OR1419	O-Ring	1
3	CF0040004N	Screw	1	25	311M105	Exhaust Deflector	1
4	311M607	Shock Absorbent Spring	1	26	OR1619	O-Ring	1
5A	311M407	Blade Holder Ass'y	1	*27.	OR0913	O-Ring	1
5B.	311M408	Screw	1	28	311M702	Air Inlet	1
6	HS00610006	Set Screw	1	29	RP2012	Front Dowel Pin	1
*7.	HC00305012E	Front Dowel Pin or Screw	4	30	HS00305003	Set Screw	1
*8.	OR0812	O-Ring	2	31	HC00305014	Screw	4
9	311M403	Cylinder Head Ass'y	1	32	OR2630	O-Ring	1
*10.	OR0609-1	O-Ring	1	33	311M602	Valve Stem	1
*12.	314418	Bumper	1	*34.	OR0307	O-Ring	1
13	311M402	Piston Ass'y	1	35	318603	Spring	1
14	311M401	Cylinder	1	36	HS01802808	1/8 Set Screw	1
*14A	210M715	Muffler	2	37	OR0507	O-Ring	1
15	314302	Automatic Valve	1	38	316611	Safety Lever Ass'y	1
16	311M301	Valve Chest	1	39	SP3020	Spring Pin	1
17	311M303	Valve Seat	1	40	311M704	Holder	1
18	311M304	Adaptor	1	41	314918Z	18T Saw Blade	1
*19.	HC00305024E	Screw	4		314924Z	24T Saw Blade	1
21	311M608	Spring	1		314932Z	32T Saw Blade	1
22	311M202	Spacer	1	42	314933	3mm Hex Wrench	1
23	311M201B	Admission Valve	1				
		Main Body					

*FOR FREQUENCY REPLACEMENT PARTS

DATE : 12/01/2014