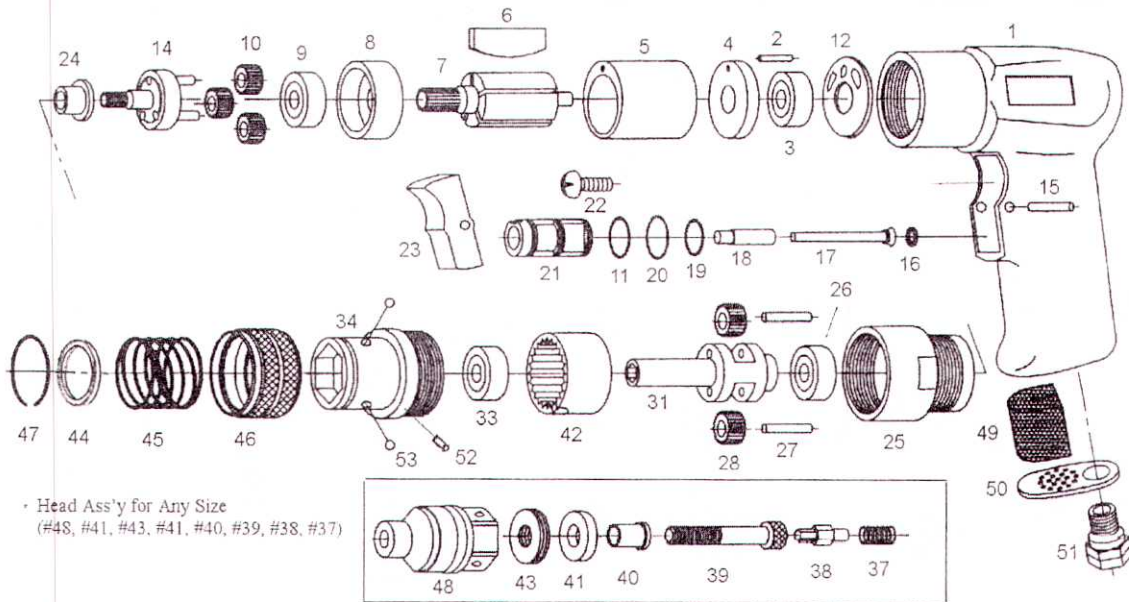


ZRN500Q Air Riveter Nut Tool(Q.C Head)



ZRN500Q Air Riveter Nut Tool(Q.C Head)

TECHNICAL DATA

Max. Rivet Nut Setting Capacity		M6
Free Speed	rpm	500
Weight	lbs	2.8
Avg. Air Consumption	cfm	5
Sound Pressure	dBA	86
Vibration	m/s ²	<2.5

PARTS LIST

Index	Part #	Description	Index	Part #	Description
1	ZRN500Q-01	Motor Housing	26	ZRN500Q-26	Ball Bearing
2	ZRN500Q-02	Spring Pin	27	ZRN500Q-27	Planet Pin (2)
3	ZRN500Q-03	Ball Bearing	28	ZRN500Q-28	Planet Gear (2)
4	ZRN500Q-04	Rear Plate	31	ZRN500Q-31	Planet Cage
5	ZRN500Q-05	Cylinder	33	ZRN500Q-33	Ball Bearing
6	ZRN500Q-06	Blade (5)	34	ZRN500Q-34	Q-Change Housing
7	ZRN500Q-07	Rotor	37	ZRN500Q-37	Spring
8	ZRN500Q-08	Front Plate	38	ZRN500Q-38	Hexagon Bit M6
9	ZRN500Q-09	Ball Bearing	39	ZRN500Q-39	Bolt M6
10	ZRN500Q-10	Planet Gear(3)	40	ZRN500Q-40	Bushing M6
11	ZRN500Q-11	O-Ring (2)	41	ZRN500Q-41	Washer M6
12	ZRN500Q-12	Motor Gasket	42	ZRN500Q-42	Internal Gear
14	ZRN500Q-14	Planet Cage (15T) + Pin	43	ZRN500Q-43	Needle Bearing M6
15	ZRN500Q-15	Roll Pin	44	ZRN500Q-44	Washer
16	ZRN500Q-16	O-Ring (2)	45	ZRN500Q-45	Spring
17	ZRN500Q-17	Valve Stem (2)	46	ZRN500Q-46	Q-Change Clamp
18	ZRN500Q-18	Sleeve (2)	47	ZRN500Q-47	Ring
19	ZRN500Q-19	O-Ring (2)	48	ZRN500Q-48	Nut Anvil M6
20	ZRN500Q-20	O-Ring (2)	49	ZRN500Q-49	Muffler
21	ZRN500Q-21	Throttle Bushing (2)	50	ZRN500Q-50	Diffuser Exhaust
22	ZRN500Q-22	Screw	51	ZRN500Q-51	Air Inlet Bushing
23	ZRN500Q-23	Trigger	52	ZRN500Q-52	Pin
24	ZRN500Q-24	Bushing	53	ZRN500Q-53	Steel Ball (3)
25	ZRN500Q-25	Housing			