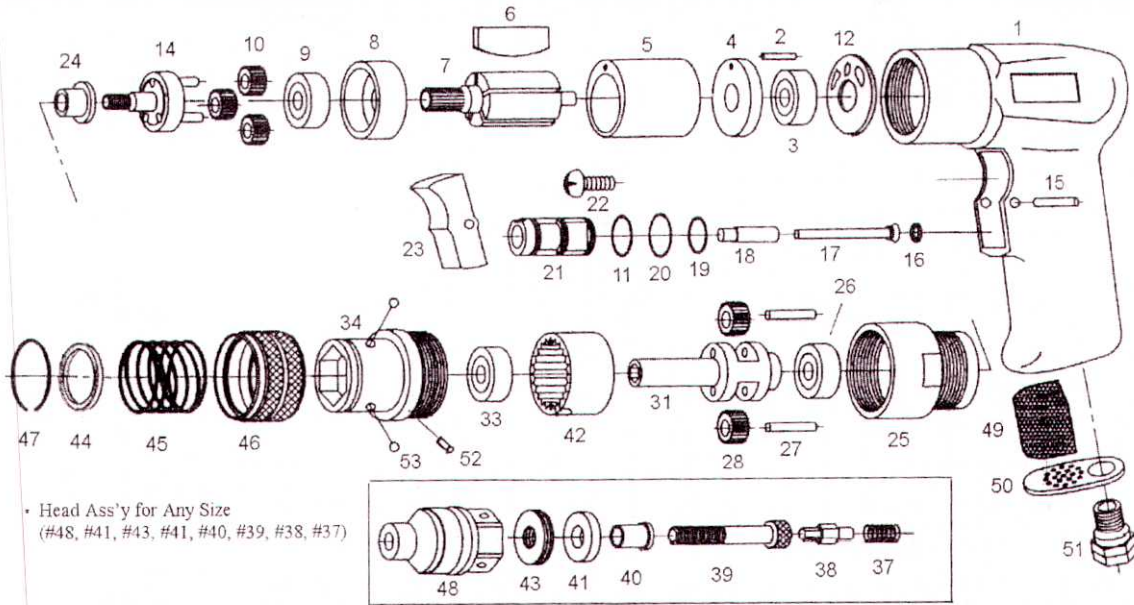


ZRN280Q Air Riveter Nut Tool(Q.C Head)



ZRN280Q Air Riveter Nut Tool(Q.C Head)

TECHNICAL DATA

Max. Rivet Nut Setting Capacity		M8 and M10 for alum. rivet nut.
Free Speed	rpm	300
Weight	lbs	2.8
Avg. Air Consumption	cfm	5
Sound Pressure	dBA	86
Vibration	m/s ²	<2.5

PARTS LIST

Index	Part #	Description	Index	Part #	Description
1	ZRN280Q-01	Motor Housing	25	ZRN280Q-25	Housing
2	ZRN280Q-02	Spring Pin	26	ZRN280Q-26	Ball Bearing
3	ZRN280Q-03	Ball Bearing	27	ZRN280Q-27	Planet Pin (2)
4	ZRN280Q-04	Rear Plate	28	ZRN280Q-28	Planet Gear (2)
5	ZRN280Q-05	Cylinder	31	ZRN280Q-31	Planet Cage
6	ZRN280Q-06	Rotor Blade (5)	33	ZRN280Q-33	Ball Bearing
7	ZRN280Q-07	Rotor	34	ZRN280Q-34	Q-Change Housing
8	ZRN280Q-08	Front Plate	37	ZRN280Q-37	Spring
9	ZRN280Q-09	Ball Bearing	38	ZRN280Q-38	Hexagon Bit M10
10	ZRN280Q-10	Planet Gear (3)	39	ZRN280Q-39	Bolt M10
11	ZRN280Q-11	O-Ring (2)	41	ZRN280Q-41	Washer M10
12	ZRN280Q-12	Motor Gasket	42	ZRN280Q-42	Internal Gear
14	ZRN280Q-14	Planet Cage (7T)+Pin	43	ZRN280Q-43	Needle Bearing
15	ZRN280Q-15	Roll Pin	44	ZRN280Q-44	Washer
16	ZRN280Q-16	O-Ring (2)	45	ZRN280Q-45	Spring
17	ZRN280Q-17	Valve Stem (2)	46	ZRN280Q-46	Q-Change Clamp
18	ZRN280Q-18	Sleeve (2)	47	ZRN280Q-47	Ring
19	ZRN280Q-19	O-Ring (2)	48	ZRN280Q-48	Nut Anvil M10
20	ZRN280Q-20	O-Ring (2)	49	ZRN280Q-49	Muffler
21	ZRN280Q-21	Throttle Bushing (2)	50	ZRN280Q-50	Diffuser Exhaust
22	ZRN280Q-22	Screw	51	ZRN280Q-51	Air Inlet Bushing
23	ZRN280Q-23	Trigger	52	ZRN280Q-52	Pin
24	ZRN280Q-24	Bushing	53	ZRN280Q-53	Steel Ball (3)