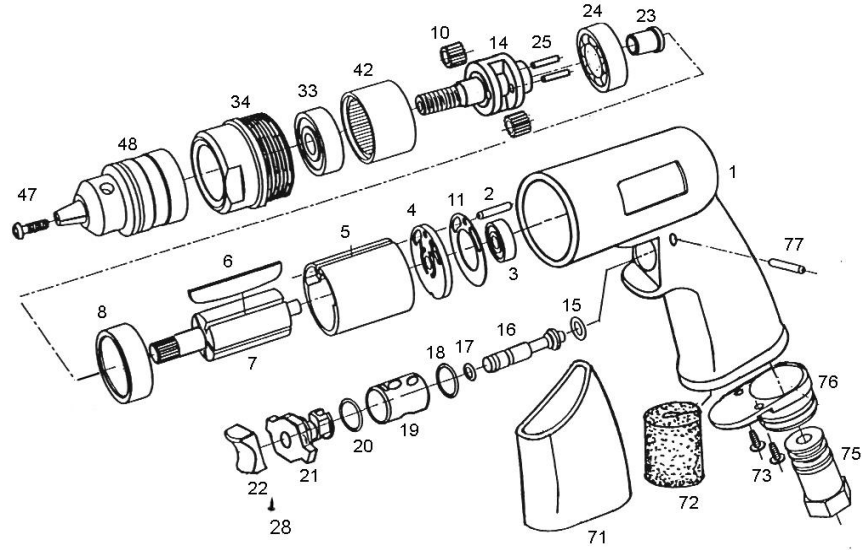


## ZRD2400 3/8" Industrial Air Reversible Drill



### TECHNICAL DATA

Capacity	inch(mm)	: 3/8(10)
Spindle Size	inch	: 3/8"-24
Free Speed	R.P.M.	: 2400
Avg. Air Cons	cfm(l/min)	: 5(141)
Net Weight	lbs(kgs)	: 2.5(1.1)
Overall Length	mm	: 165
Air Inlet Size	inch-NPT/PT	: 1/4
Min. Hose Size	inch(mm)	: 3/8(10)

### PARTS LIST

Index #	Part #	Description	Q'ty	Index #	Part #	Description	Q'ty
1	ZRD2400-01	Motor Housing	1	22	ZRD2400-22	Trigger	1
2	ZRD2400-02	Pin	1	23	ZRD2400-23	Bushing	1
3	ZRD2400-03	Ball Bearing	1	24	ZRD2400-24	Ball Bearing	1
4	ZRD2400-04	Rear Plate	1	25	ZRD2400-25	Planet Pin (2)	2
5	ZRD2400-05	Cylinder	1	28	ZRD2400-28	Screw	1
6	ZRD2400-06	Rotor Blade (5)	5	33	ZRD2400-33	Ball Bearing	1
7	ZRD2400-07	Rotor (14T)	1	34	ZRD2400-34	Clamp Nut	1
8	ZRD2400-08	Front Plate	1	42	ZRD2400-42	Internal Gear (42T)	1
10	ZRD2400-10	Planet Gear (14T) (2)	2	47	ZRD2400-47	Chuck Screw	1
11	ZRD2400-11	Motor Gasket	1	48	ZRD2400-48	3/8"Drill Chuck (3/8"-24)	1
14	ZRD2400-14	Planet Cage	1	71	ZRD2400-71	Rubber Sleeve	1
15	ZRD2400-15	O-Ring (3.8X19)	1	72	ZRD2400-72	Muffler	1
16	ZRD2400-16	Valve Stem	1	73	ZRD2400-73	Screw (2)	2
17	ZRD2400-17	O-Ring (3X1.5)	1	75	ZRD2400-75	Air Inlet Bushing	1
18	ZRD2400-18	O-Ring	1	76	ZRD2400-76	Diffuser Exhaust	1
19	ZRD2400-19	Reverse Bushing	1	77	ZRD2400-77	Pin	1
20	ZRD2400-20	O-Ring (R1.4X1.5)	1				
21	ZRD2400-21	Throttle Bushing	1				

DATE : 2015.02.26